

aiwa

COMPACT DISC STEREO SYSTEM
SISTEMA ESTEREO CON REPRODUCTOR DE DISCOS COMPACTOS
CHAINE STEREO AVEC LECTEUR DE DISQUES COMPACTS

NSX-DS8

OPERATING INSTRUCTIONS
MANUAL DE INSTRUCCIONES
MODE D'EMPLOI

En (English)

E (Español)

F (Français)

Owner's record

For your convenience, record the model number and serial number (you will find them on the rear of your set) in the space provided below. Please refer to them when you contact your Aiwa dealer in case of difficulty.

Model No. _____ Serial No. _____

For assistance and information

call toll free 1-800-BUY-AIWA (United States and Puerto Rico)

WARNING

TO REDUCE THE RISK OF FIRE OR ELECTRIC SHOCK, DO NOT EXPOSE THIS APPLIANCE TO RAIN OR MOISTURE.



Explanation of Graphical Symbols:



The lightning flash with arrowhead symbol, within an equilateral triangle, is intended to alert the user to the presence of uninsulated "dangerous voltage" within the product's enclosure that may be of sufficient magnitude to constitute a risk of electric shock to persons.



The exclamation point within an equilateral triangle is intended to alert the user to the presence of important operating and maintenance (servicing) instructions in the literature accompanying the appliance.

NOTE

This equipment has been tested and found to comply with the limits for a Class B digital device, pursuant to Part 15 of the FCC Rules. These limits are designed to provide reasonable protection against harmful interference in a residential installation.

This equipment generates, uses, and can radiate radio frequency energy and, if not installed and used in accordance with the instructions, may cause harmful interference to radio communications. However, there is no guarantee that interference will not occur in a particular installation. If this equipment does cause harmful interference to radio or television reception, which can be determined by turning the equipment off and on, the user is encouraged to try to correct the interference by one or more of the following measures:

- Reorient or relocate the receiving antenna.
- Increase the separation between the equipment and receiver.
- Connect the equipment into an outlet on circuit different from that to which the receiver is connected.
- Consult the dealer or an experienced radio/TV technician for help.


CAUTION

Modifications or adjustments to this product, which are not expressly approved by the manufacturer, may void the user's right or authority to operate this product.

PRECAUTIONS

Read the Operating Instructions carefully and completely before operating the unit. Be sure to keep the Operating Instructions for future reference. All warnings and cautions in the Operating Instructions and on the unit should be strictly followed, as well as the safety suggestions below.

Installation

- 1 Water and moisture** — Do not use this unit near water, such as near a bathtub, washbowl, swimming pool, or the like.
- 2 Heat** — Do not use this unit near sources of heat, including heating vents, stoves, or other appliances that generate heat. It also should not be placed in temperatures less than 5°C (41°F) or greater than 35°C (95°F).
- 3 Mounting surface** — Place the unit on a flat, even surface.
- 4 Ventilation** — The unit should be situated with adequate space around it so that proper heat ventilation is assured. Allow 10 cm (4 in.) clearance from the rear and the top of the unit, and 5 cm (2 in.) from each side.
 - Do not place the unit on a bed, rug, or similar surface that may block the ventilation openings.
 - Do not install the unit in a bookcase, cabinet, or airtight rack where ventilation may be impeded.
- 5 Objects and liquid entry** — Take care that objects or liquids do not get inside the unit through the ventilation openings.
- 6 Carts and stands** — When placed or mounted on a stand or cart, the unit should be moved with care. Quick stops, excessive force, and uneven surfaces may cause the unit or cart to overturn or fall.
 
- 7 Condensation** — Moisture may form on the CD pickup lens when:
 - The unit is moved from a cold spot to a warm spot
 - The heating system has just been turned on
 - The unit is used in a very humid room
 - The unit is cooled by an air conditioner
 When this unit has condensation inside, it may not function normally. Should this occur, leave the unit for a few hours, then try to operate again.
- 8 Wall or ceiling mounting** — The unit should not be mounted on a wall or ceiling, unless specified in the Operating Instructions.

Electric Power

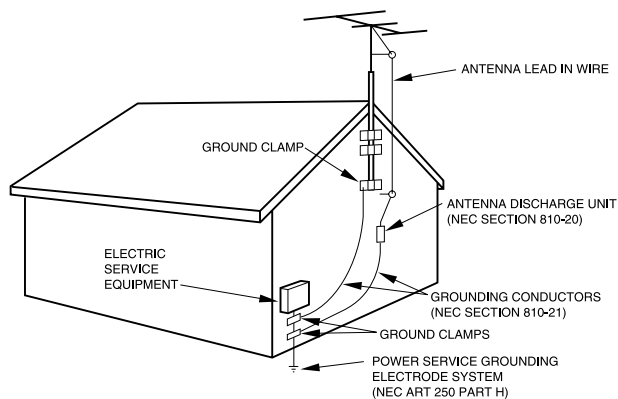
- 1 Power sources** — Connect this unit only to power sources specified in the Operating Instructions, and as marked on the unit.
- 2 Polarization** — As a safety feature, some units are equipped with polarized AC power plugs which can only be inserted one way into a power outlet. If it is difficult or impossible to insert the AC power plug into an outlet, turn the plug over and try again. If it still does not easily insert into the outlet, please call a qualified service technician to service or replace the outlet. To avoid defeating the safety feature of the polarized plug, do not force it into a power outlet.
- 3 AC power cord**
 - When disconnecting the AC power cord, pull it out by the AC power plug. Do not pull the cord itself.
 - Never handle the AC power plug with wet hands, as this could result in fire or shock.
 - Power cords should be firmly secured to avoid being severely bent, pinched, or walked upon. Pay particular attention to the cord from the unit to the power outlet.
 - Avoid overloading AC outlets and extension cords beyond their capacity, as this could result in fire or shock.

- 4 **Extension cord** — To help prevent electric shock, do not use a polarized AC power plug with an extension cord, receptacle, or other outlet unless the polarized plug can be completely inserted to prevent exposure of the blades of the plug.
- 5 **When not in use** — Unplug the AC power cord from the power outlet if the unit will not be used for several months or more. When the cord is plugged in, a small amount of current continues to flow to the unit, even when the power is turned off.

Outdoor Antenna

- 1 **Power lines** — When connecting an outdoor antenna, make sure it is located away from power lines.
- 2 **Outdoor antenna grounding** — Be sure the antenna system is properly grounded to provide protection against unexpected voltage surges or static electricity build-up. Article 810 of the National Electrical Code, ANSI/NFPA 70, provides information on proper grounding of the mast, supporting structure, and the lead-in wire to the antenna discharge unit, as well as the size of the grounding unit, connection to grounding terminals, and requirements for grounding terminals themselves.

Antenna Grounding According to the National Electrical Code



NEC-NATIONAL ELECTRICAL CODE

Maintenance

Clean the unit only as recommended in the Operating Instructions.

Damage Requiring Service

Have the units serviced by a qualified service technician if:

- The AC power cord or plug has been damaged
- Foreign objects or liquid have gotten inside the unit
- The unit has been exposed to rain or water
- The unit does not seem to operate normally
- The unit exhibits a marked change in performance
- The unit has been dropped, or the cabinet has been damaged

DO NOT ATTEMPT TO SERVICE THE UNIT YOURSELF.

Check your system and accessories

NSX-DS8

- CX-NDS8 Compact disc stereo cassette receiver
- SX-WNAJ86 Front speakers
- SX-R275 Surround speakers
- SX-C605 Center speaker

Remote control

AM antenna

FM antenna

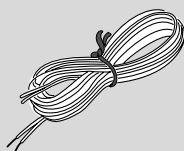
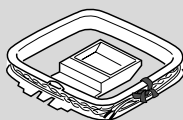
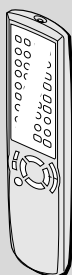


TABLE OF CONTENTS

PRECAUTIONS	2
-------------------	---

PREPARATIONS

CONNECTIONS	4
REMOTE CONTROL	6
BEFORE OPERATION	7
SETTING THE CLOCK	8

SOUND

AUDIO ADJUSTMENTS	8
GRAPHIC EQUALIZER	9
DSP SURROUND	11

RADIO RECEPTION

MANUAL TUNING	12
PRESETTING STATIONS	12

TAPE PLAYBACK

BASIC OPERATIONS	13
CONTINUOUS PLAY	14

CD PLAYING

BASIC OPERATIONS	15
PROGRAMMED PLAY	16

RECORDING

BASIC RECORDING	17
DUBBING A TAPE MANUALLY	18
DUBBING THE WHOLE TAPE	18
AI EDIT RECORDING	19
PROGRAMMED EDIT RECORDING	20

DOLBY SURROUND

PLAYING DOLBY SURROUND SOUND	21
SPEAKER LEVEL BALANCE AND OTHER ADJUSTMENTS	23

KARAOKE

MICROPHONE MIXING	25
KARAOKE PROGRAM	27

TIMER

SETTING THE SLEEP TIMER	28
SETTING THE TIMER	28

OTHER FEATURES

DEMO (Demonstration)	30
----------------------------	----

OTHER CONNECTIONS

CONNECTING OPTIONAL EQUIPMENT	31
LISTENING TO EXTERNAL SOURCES	32

GENERAL

CARE AND MAINTENANCE	33
TROUBLESHOOTING GUIDE	33
SPECIFICATIONS	34

PARTS INDEX	Back cover
-------------------	------------

En

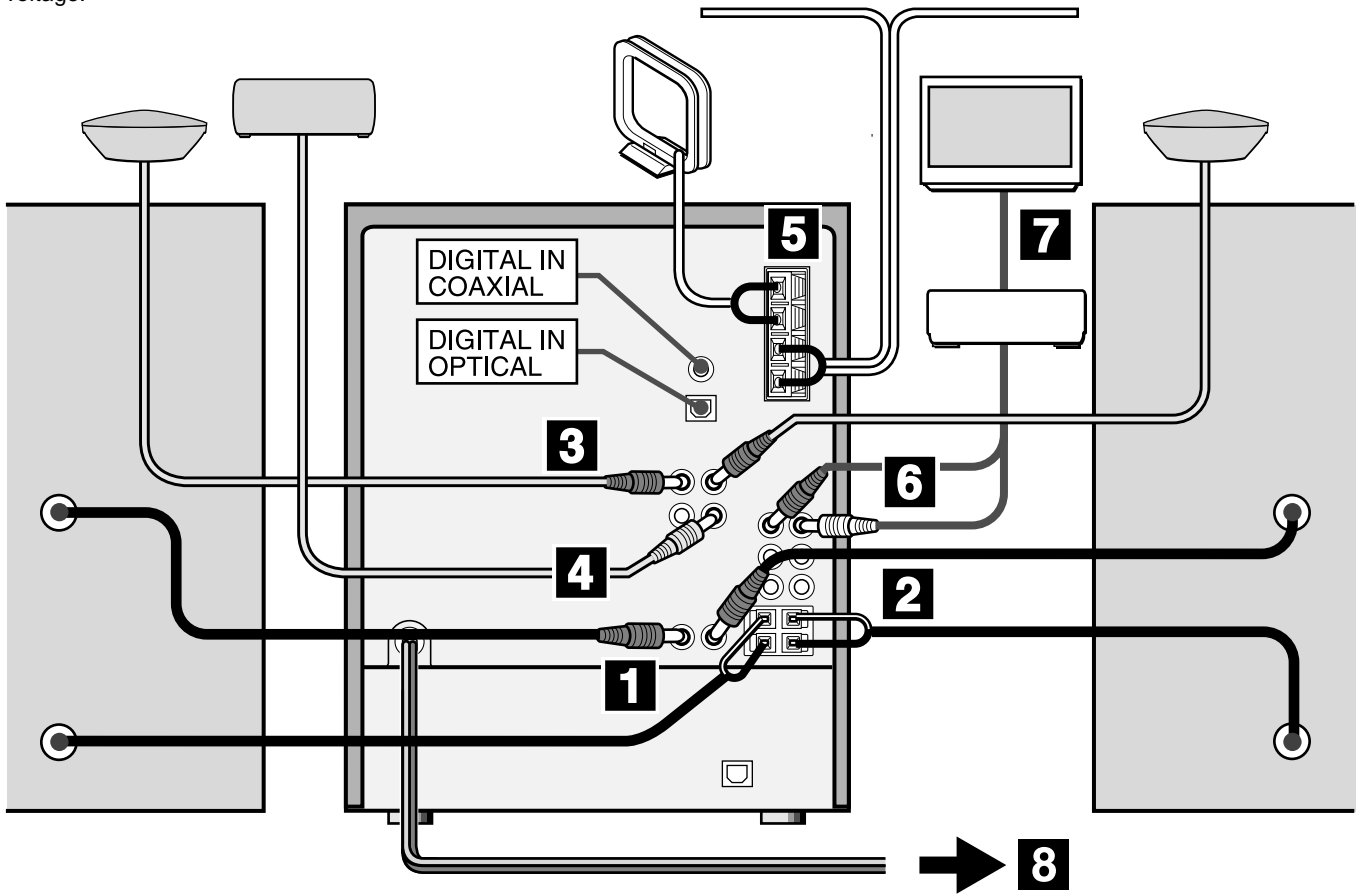
CONNECTIONS

Before connecting the AC cord

The rated voltage of your unit shown on the rear panel is 120 V AC. Check that the rated voltage matches your local voltage.

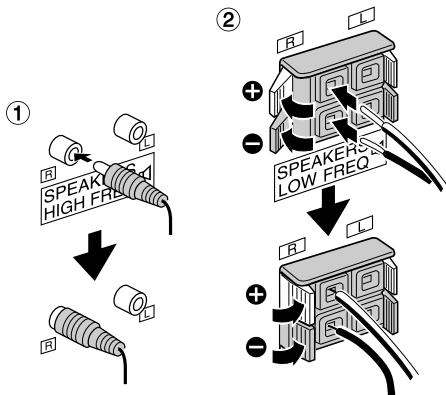
IMPORTANT

Connect the speakers, antennas, and all optional equipment first. Then connect the AC cord.



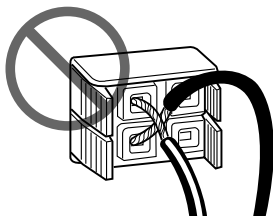
1 Connect the right speaker to the main unit.

- ① Connect the speaker cord with the plug to the **SPEAKERS HIGH FREQ R** terminal.
- ② Connect the speaker cord with the white stripe to the **SPEAKERS LOW FREQ R** terminal and the black cord to the **⊖** terminal.



NOTE

• Be sure to connect the speaker cords correctly. Improper connections can cause short circuits in **SPEAKERS** terminals.

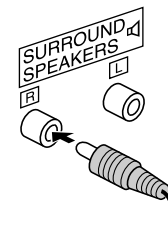


2 Connect the left speaker to the main unit.

Connect the speaker cord with plug to the **SPEAKERS HIGH FREQ L** terminal, and the other speaker cord to the **SPEAKERS LOW FREQ L** terminals in the same manner as step 1.

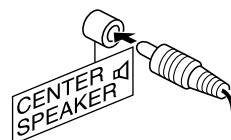
3 Connect the surround speakers.

Connect the surround speaker cords to **SURROUND SPEAKERS** terminals.



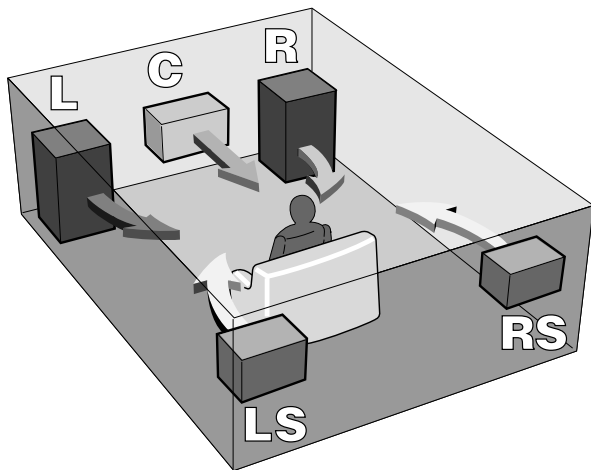
4 Connect the center speaker.

Connect the center speaker cord to **CENTER SPEAKER** terminal.



POSITIONING THE SPEAKERS

To achieve the optimum effects obtainable with the Dolby Digital or the Dolby Pro Logic system, it is important to position the speakers properly. Refer to the following illustration to find out the best location in your room.



L&R: Front speakers

C: Center speaker

Position in the center of the two front speakers. In addition, position on or below the TV set, if connecting a TV set to the unit.

LS&RS: Surround speakers

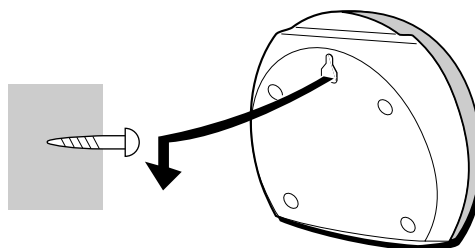
Place the surround speakers directly to the side of or slightly behind the listening area. Align them horizontally, about 1 meter (3.2 feet) above ear height.

NOTE

Sound output from the center and the surround speakers is only available when the Dolby Digital system, the Dolby Pro Logic system, or the DSP Surround system is activated with the appropriate setting.

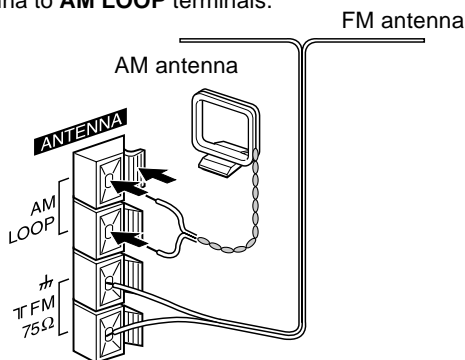
To mount the surround speakers on the wall

Mount each speaker on a spot that can hold its weight.



5 Connect the supplied antennas.

Connect the FM antenna to **FM 75 Ω** terminals and the AM antenna to **AM LOOP** terminals.



6 Connect your video equipment (DVD player, LD player, video tape player, etc.).

If your video equipment has an OPTICAL OUT jack;

Connect the AUDIO OUT jacks of the video equipment to the **VIDEO1/DVD/AUX** jacks of this unit with an optional audio connecting cord with RCA phono plugs (red plug to the R jack, white plug to the L jack).

Connect the OPTICAL OUT jack to the **DIGITAL IN OPTICAL (VIDEO 1)** jack of this unit with an optional optical connecting cord.

If your video equipment has a COAXIAL OUT jack;

Connect the AUDIO OUT jacks of the video equipment to the **VIDEO2/LD/MD** jacks of this unit with an optional audio connecting cord with RCA phono plugs (red plug to the R jack, white plug to the L jack).

Connect the COAXIAL OUT jack to the **DIGITAL IN COAXIAL (VIDEO 2)** jack of this unit with an optional coaxial connecting cord.

NOTE

- Input to the **DIGITAL IN OPTICAL** jack is selected with the **VIDEO1/DVD/AUX** button, while input to the **DIGITAL IN COAXIAL** jack is selected with the **VIDEO2/LD/MD** button (see "Listening to external equipment", page 32). Analog connection should thus be made to the input jacks with the corresponding names depending on the type of digital connection, as described above. The illustration shows the connection to the **VIDEO1/DVD/AUX** jacks.
- If your video equipment has both OPTICAL and COAXIAL OUT jacks, choose either connection.
- When connecting an LD player via its AC-3 RF OUT jack, use an RF demodulator to separate the analog visual signals and the digital audio signals. Refer the operating instructions of the LD player.

If your video equipment does not have a digital out jack;

Connect the AUDIO OUT jacks of the video equipment to the **VIDEO1/DVD/AUX** jacks of this unit with an optional audio connecting cord with RCA phono plugs (red plug to the R jack, white plug to the L jack).

7 Connect the television to the video equipment.

Refer to the Operating Instructions of the connected equipment for details.

8 Connect the AC cord to an AC outlet.

The DEMO will begin when the AC cord is plugged into an AC outlet for the first time. To deactivate the DEMO, set the clock.

NOTE

- Do not leave objects generating magnetism, such as credit cards, near the speakers, as these objects may be damaged.
- Do not bring the FM antenna near metal objects or curtain rails.
- Do not bring the AM antenna near other optional equipment, the stereo system itself, the AC cord or speaker cords, since noise will be picked up.
- Do not unwind the AM antenna wire.

To position the antennas

FM feeder antenna:

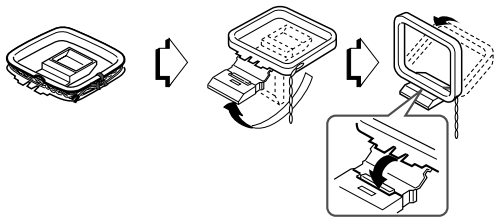
Extend this antenna horizontally in a T-shape and fix its ends to the wall.

AM antenna:

Position and rotate this antenna to find the best possible reception.

To stand the AM antenna on a surface

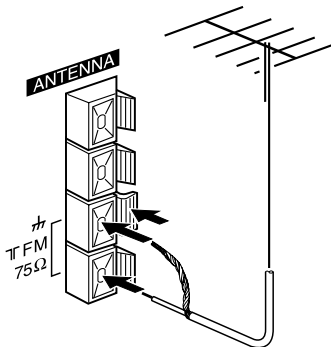
Fix the claw to the slot.



CONNECTING AN OUTDOOR ANTENNA

For better FM reception, use of an outdoor antenna is recommended.

Connect the outdoor antenna to **FM 75 Ω** terminals.

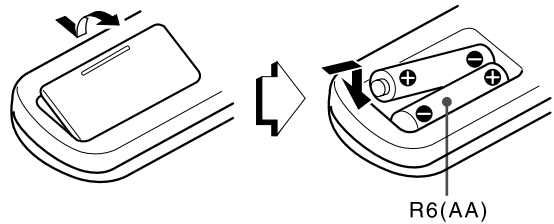


To connect other optional equipment → page 31.

REMOTE CONTROL

Inserting batteries

Detach the battery cover on the rear of the remote control and insert two R6 (size AA) batteries.



When to replace the batteries

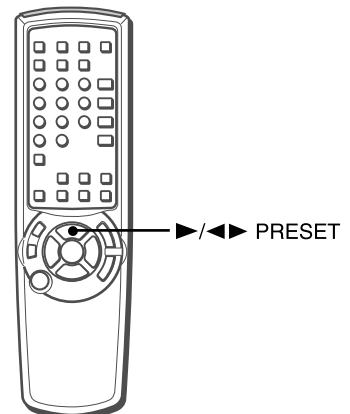
The maximum operational distance between the remote control and the sensor on the main unit should be approximately 5 meters (16 feet). When this distance decreases, replace the batteries with new ones.

Using the remote control

The instructions in this manual refer mainly to the buttons on the main unit. Buttons on the remote control with the same names as those on the main unit can be used as well.

▶/◀▶ PRESET on the remote control

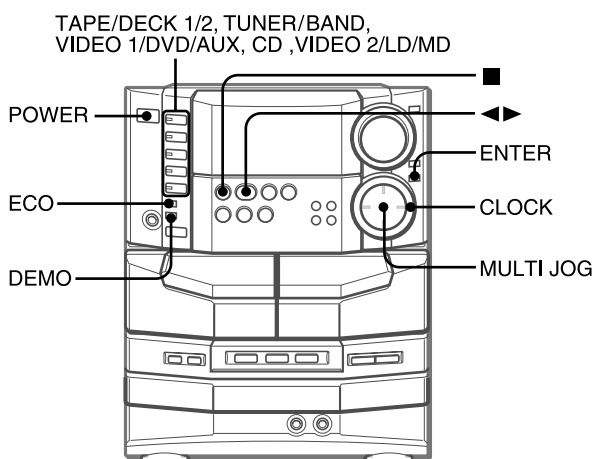
The function is the same as that of ◀▶ on the main unit.



NOTE

- If the remote control is not going to be used for an extended period of time, remove the batteries to prevent possible electrolyte leakage.
- The remote control may not operate correctly when:
 - The line of sight between the remote control and the remote sensor inside the display window is exposed to intense light, such as direct sunlight
 - Other remote controls are used nearby (those of a television, etc.)

BEFORE OPERATION



To turn the power on

Press one of the function buttons (**TAPE/DECK 1/2**, **TUNER/BAND**, **VIDEO1/DVD/AUX**, **CD**, **VIDEO2/LD/MD**). Playback of the inserted disc or tape begins, or the previously tuned station is received (Direct Play Function).

POWER is also available.

NOTE

When the power is turned on, the disc compartment may open and close to reset the unit.

To turn the power off

Press **POWER**.

DEMO (DEMONSTRATION)

When the AC cord is plugged into an AC outlet for the first time after purchase, the DEMO will begin in the display. When the power is turned on, the DEMO will end. When the power is turned off, the DEMO will begin again.

When the clock is set, the DEMO will not begin even if the power is turned off.

To deactivate or activate DEMO

Press **DEMO** repeatedly.

(For more about the DEMO, see page 30.)

SETTING POWER ECONOMIZING MODE

When you set power economizing mode to "ECO ON" or "ECO AUTO", the unit reduces power consumption by conducting four ECO operations as follows.

ECO ON

- The unit (all the illumination of the display and the buttons) blacks out when the power is turned off. Only the red indicator lights up.
- If DIMMER (1-3) is selected, the illumination of the display and the buttons brighten for 10 seconds only when you press a button or turn **VOLUME** or **MULTI JOG**.
- The display dimmer mode is set to the dimmest, the button illumination lights off, and the volume is set to the minimum (0) when the unit turns on by timer recording.

ECO AUTO

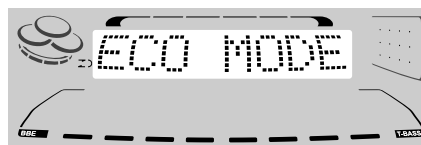
- In addition to the three operations of ECO ON, the unit automatically turns itself off if you do not operate it and the sound source is mute for 10 minutes except when external digital input is selected.

ECO OFF

The power economizing mode does not function.

1 Press ECO.

"ECO MODE" will be displayed.

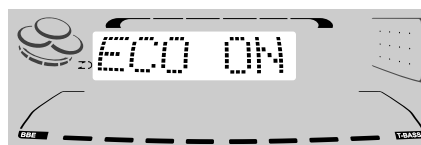


2 Press ENTER within 4 seconds.

The current power-economizing mode status will be displayed.

3 Turn MULTI JOG within 4 seconds to select one of the power-economizing modes.

Example : When "ECO ON" is selected.



4 Press ENTER within 4 seconds.

NOTE

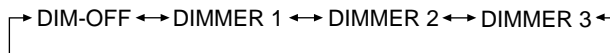
If the clock is not set, the unit does not black out.

Instead, the DEMO will begin when the power is turned off.

DIMMER MODE

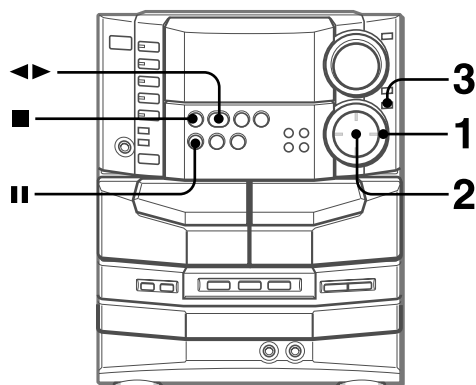
To change the display dimmer mode

- 1 Press **ECO** repeatedly until "DIM MODE" is displayed.
- 2 Within 4 seconds, press **ENTER**.
- 3 Within 4 seconds, turn **MULTI JOG** to select one of the dimmer modes changed cyclically as below.
- 4 Within 4 seconds, press **ENTER**.



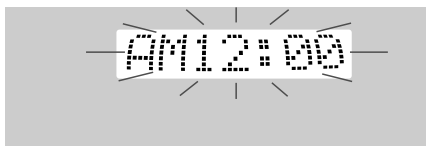
"DIM-OFF" mode is the brightest and "DIMMER 3" mode is the dimmest. In "DIMMER 3" mode, the spectrum analyzer and the button illumination light off in addition.

SETTING THE CLOCK



1 Press **CLOCK**.

The clock is displayed. (The ":" between the hours and minutes flashes.)



2 Within 4 seconds, turn **MULTI JOG** to designate the hour and the minute.

Turning **MULTI JOG** changes both the hour and the minute. ◀◀ or ▶▶ is also available in place of **MULTI JOG**. Holding these buttons down will vary the time rapidly.

3 Press **ENTER** or **||**.

The clock starts from 00 seconds.

To restore an original clock setting

Press **CLOCK** before completing step 3 to restore the previous time setting. This cancels any new setting.

To view the clock when another display is in the display

Press **CLOCK**. The time is displayed for 4 seconds and then the original display reappears. However, the clock cannot be displayed during recording.

To switch to the 24-hour standard

Press **CLOCK** and then press ■ within 4 seconds. Repeat the same procedure to restore the 12-hour standard.

In the 12-hour standard, "AM 12:00" indicates midnight and "PM 12:00" indicates noon.

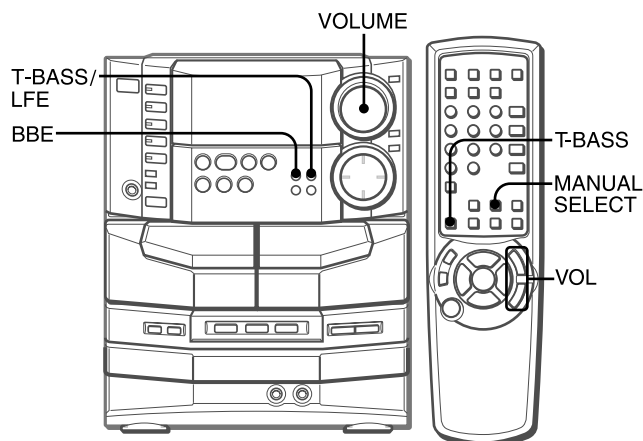
If the clock display flashes

If the display flashes when the clock is displayed, it indicates that the clock has stopped due to a power failure or the removal of the power cord. The current time needs to be reset.

NOTE

If the power-economizing mode (page 7) is on, the unit blacks out when the power is turned off. To view the clock, press **CLOCK** so that the time is displayed for 4 seconds.

AUDIO ADJUSTMENTS



VOLUME

Turn **VOLUME** on the main unit, or press **VOL** on the remote control.

The volume level is displayed as a number from 0 to MAX (50). The volume level is automatically set to 20 when the power is turned off with the volume level set to 21 or more.

To change the left/right balance

Press **MANUAL SELECT** on the remote control. "L/R" is displayed for 4 seconds. Press ◀◀ **DOWN** or ▶▶ **UP** on the remote control within these 4 seconds.

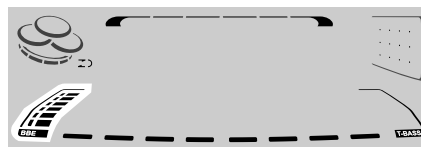
- The front speakers level for the Dolby Digital, Dolby Pro Logic and DSP Surround systems is changed as well.

BBE SYSTEM

The BBE system enhances the clarity of high-frequency sound. It also enriches the Karaoke function to make your voice sound clear and pleasant.

Press **BBE**.

Each time it is pressed, the level changes. Select one of the three levels, or the off position to suit your preference.



NOTE

- When playing back a tape recorded with BBE, set BBE off to avoid distorted high frequency sound.
- The BBE system cannot be turned on when digital input is selected or Dolby Pro Logic is activated ("Can't USE" is displayed). If either of these two operations is performed when the BBE system is activated, BBE is automatically canceled.

SUPER T-BASS SYSTEM

The T-BASS system enhances the realism of low-frequency sound.

Press **T-BASS/LFE** on the main unit or **T-BASS** on the remote control.

Each time it is pressed, the level changes. Select one of the three levels, or the off position to suit your preference.



NOTE

Low frequency sound may be distorted when the T-BASS system is used for a disc or tape in which low frequency sound is originally emphasized. In this case, cancel the T-BASS system.

GRAPHIC EQUALIZER

SELECTING THE PROGRAMMED EQUALIZATION CURVE

This unit provides the following 5 different programmed equalization curves.

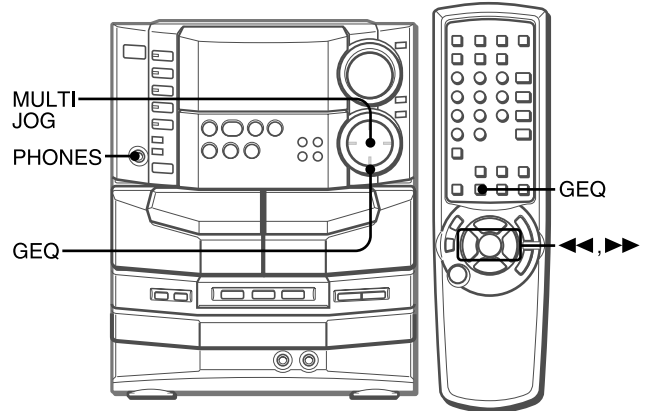
ROCK: Powerful sound emphasizing treble and bass

POP: More presence in the vocals and midrange

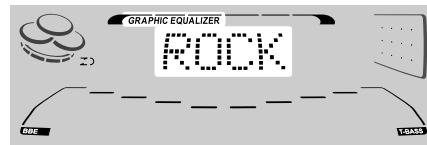
LATIN: Accented higher frequencies for latin music.

CLASSIC: Enriched sound with heavy bass and fine treble.

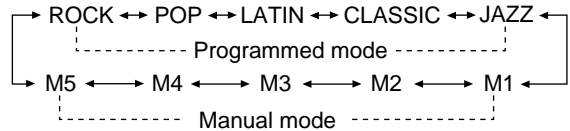
JAZZ: Accented lower frequencies for jazz-type music



Press **GEQ**, and turn **MULTI JOG** to select one of the programmed equalization curves within 4 seconds.



"GRAPHIC EQUALIZER" appears and the GEQ mode is displayed cyclically as follows.



To display the current GEQ mode

Press **GEQ**. The current mode is displayed for 4 seconds.

To cancel the selected mode

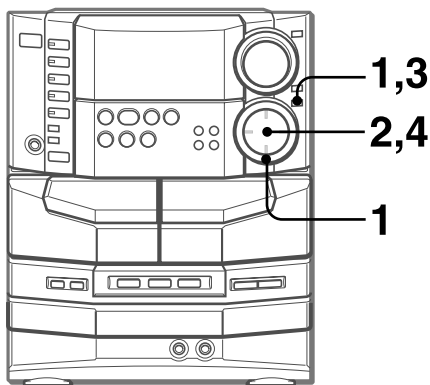
Press **GEQ** twice.

"GEQ OFF" appears and "GRAPHIC EQUALIZER" disappears.

To select with the remote control

Press **GEQ**, and within 4 seconds press ◀◀ or ▶▶ repeatedly. The GEQ mode is displayed cyclically as above.

SETTING A NEW EQUALIZATION CURVE MANUALLY



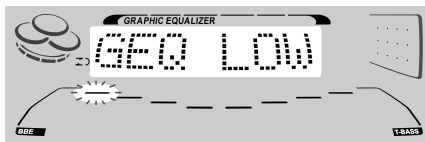
The equalization curve can be customized to suit your preference.

1 Press **GEQ**, followed by **ENTER** within 4 seconds.

Your customized setting will be based on the currently selected curve. To select a different curve to work on, turn **MULTI JOG** before pressing **ENTER**.

The display will be switched to read "GEQ LOW."

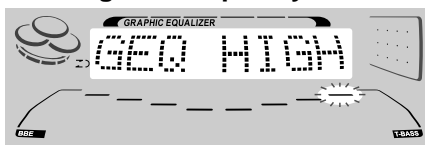
2 Within 8 seconds, turn **MULTI JOG** to adjust the level of the lowest frequency.



3 Press **ENTER** to let "GEQ HIGH" show.

The highest level frequency indicator flashes for 8 seconds.

4 Within 8 seconds, turn **MULTI JOG** to adjust the level of the highest frequency.



The frequency level indicators of between the lowest and the highest are adjusted accordingly.

NOTE

If you do not store your customized equalization curve, it will be lost when you switch to a different curve or press **GEQ**. To store the new curve, see below.

Using the headphones

Connect headphones to the **PHONES** jack with a standard stereo plug (ø6.3 mm, 1/4 inch).

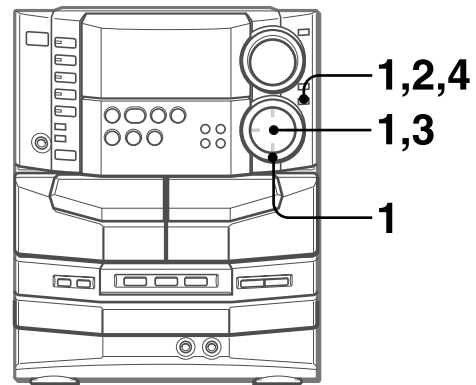
No sound is output from the speakers while the headphones are plugged in.

- When the headphones are plugged in, the DSP Surround or the Dolby Pro Logic system is cancelled. The Dolby Digital system switches to the 2ch STEREO mode.

Sound adjustment during recording

The **VOLUME** control has no effect on recording, while the **BBE** affects recording.

STORING THE NEW EQUALIZATION CURVES



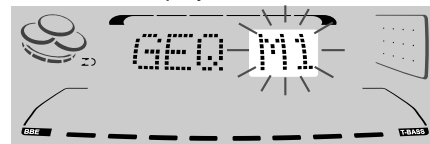
Up to 5 customized equalization curves can be stored as the manual modes M1 - M5.

1 Go through steps 1-4 of "Setting a New Equalization Curve Manually".

The created curve is displayed for 8 seconds.

2 Within 8 seconds, press **ENTER**.

"M1" flashes on the display for 8 seconds.



- If this step is not completed within 8 seconds, press **GEQ** first to display "GEQ ON". Then within 4 seconds press **ENTER** repeatedly until "M1" flashes.

3 Within 8 seconds, turn **MULTI JOG** to select one of the manual modes M1 - M5 to store the curve.

4 Within 8 seconds, press **ENTER**.

The new equalization curve is stored.

To select the stored equalization curve

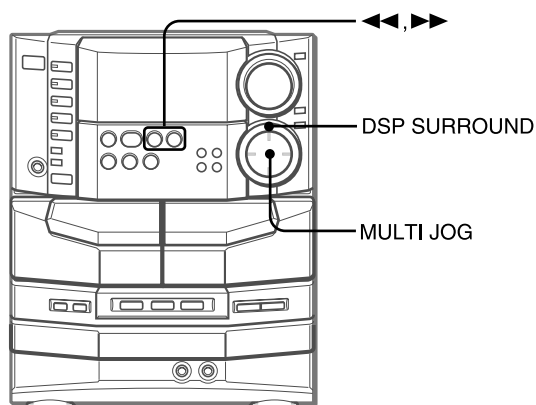
Press **GEQ**, and turn **MULTI JOG** to select one of the manual modes M1 - M5 within 4 seconds.

DSP SURROUND

The DSP (Digital Signal Processor) SURROUND adjusts the delay time, the input mode and the feedback level to give a resonant surround sound, allowing you to enjoy the real sound presence of different environments.

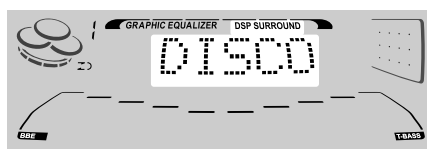
This unit has been programmed with 5 different DSP SURROUND modes.

SELECTING A PROGRAMMED DSP SURROUND MODE

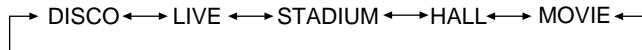


Five modes of DSP SURROUND offer the sound presence you'd experience in disco (DISCO), at a live concert (LIVE), stadium (STADIUM), in a concert hall (HALL) or movie theater (MOVIE). (Shown in parentheses are indications appearing in the display.)

Press **DSP SURROUND**, and turn **MULTI JOG** or press **◀** or **▶** repeatedly to select the desired Programmed mode within 4 seconds.



"DSP SURROUND" appears and the DSP SURROUND mode is displayed cyclically as follows.



Equalization curves are selected automatically to match the DSP SURROUND modes and can also be selected or turned off to suit your preference.

To display the current DSP SURROUND mode

Press **DSP SURROUND**. The current mode is displayed for 4 seconds.

To cancel the selected mode

Press **DSP SURROUND** twice. "DSP OFF" appears and "DSP SURROUND" disappears.

When the music source is monaural

Select "LIVE", "STADIUM" or "MOVIE" to obtain a simulated stereo effect.

When "DISCO" or "HALL" is selected, no sound will be heard from the surround speakers.

To adjust the volume of the surround speakers

Press **MANUAL SELECT** twice or three times on the remote control while DSP Surround is on.

"SUR" is displayed for 4 seconds. Press **◀** DOWN or **▶** UP on the remote control within these 4 seconds.

NOTE

The DSP SURROUND mode is canceled when:

- the ECHO or MIC level is changed.
- Dolby Digital or Dolby Pro Logic is turned on.
- the headphones are plugged in.
- the DIGITAL (Dolby Digital) is turned on (except 2ch ST).

MULTI-AMPLIFIER SYSTEM

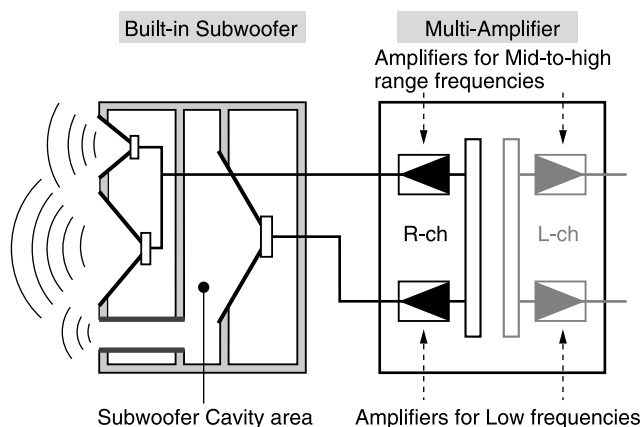
To provide reinforcement for the ultra-low frequencies, in addition to the Left/Right 2-channel amplifier used to reproduce mid-to-high-range frequencies, this system incorporates a second L/R 2-channel amplifier just for reproduction of ultra-low frequencies. By utilizing discrete amplifiers for mid to-high-frequencies and low frequencies, high-quality sonic reproduction that is virtually free from distortion can be realized.

This Multi Amplifier System, which utilizes independent circuitry for the different frequency ranges, enables superb sonic reproduction free from distortion.

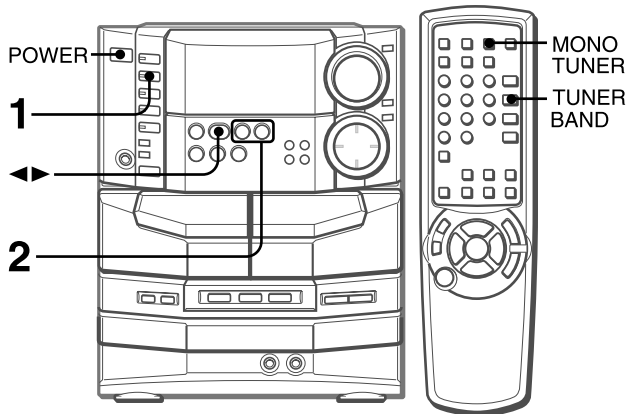
BUILT-IN SUBWOOFER SYSTEM

The built-in subwoofer system has a separate subwoofer cavity area that is part of the loudspeaker cabinet structure, which acts as a sonic filter to cut distortion components. (In the Multi Amplifier System, the ultra-low frequency signals transmitted from their own independent amplifier are reproduced in this area.) This separate construction gives a clear, rich definition to bass reproduction and it can realize clear, well-defined mid-to-high frequency signals.

And AIWA's built-in subwoofer system incorporates a subwoofer capable of powerful, satisfying bass performance with true stereo separation.



MANUAL TUNING



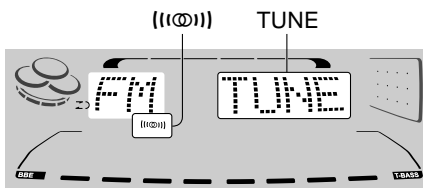
- 1 Press **TUNER/BAND** repeatedly to select the desired band.



When **TUNER/BAND** is pressed while the power is off, the power is turned on directly.

- 2 Press **◀◀ DOWN** or **▶▶ UP** to select a station.

Each time the button is pressed, the frequency changes. When a station is received, "TUNE" is displayed for 2 seconds. During FM stereo reception, "((Ⓜ))" is displayed.



To search for a station quickly (Auto Search)

Keep **◀◀ DOWN** or **▶▶ UP** pressed until the frequency starts to change rapidly. After tuning in to a station, the search stops. To stop the Auto Search manually, press **◀◀ DOWN** or **▶▶ UP**.

- The Auto Search may not stop at stations with very weak signals.

When an FM stereo broadcast contains noise

Press **MONO TUNER** on the remote control so that "MONO" appears on the display.

Noise is reduced, although reception is monaural.

To restore stereo reception, repeat the above so that "MONO" disappears.

To change the AM tuning interval

The default setting of the AM tuning interval is 10 kHz/step. If you use this unit in an area where the frequency allocation system is 9 kHz/step, change the tuning interval.

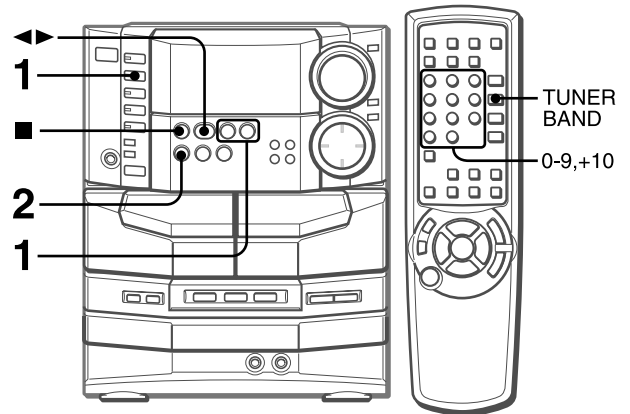
Press **POWER** while pressing **TUNER/BAND**.

To reset the interval, repeat this procedure.

NOTE

When the AM tuning interval is changed, all preset stations are cleared. The preset stations have to be set again.

PRESETTING STATIONS

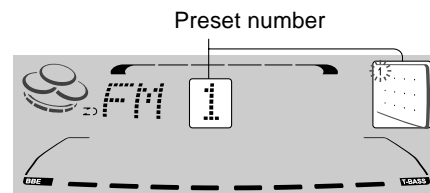


The unit can store a total of 32 preset stations. When a station is stored, a preset number is assigned to the station. Use the preset number to tune in to a preset station directly.

- 1 Press **TUNER/BAND** to select a band, and press **◀◀ DOWN** or **▶▶ UP** to select a station.

- 2 Press **|| SET** to store the station.

A preset number beginning from 1 in consecutive order for each band is assigned to the station.



- 3 Repeat steps 1 and 2.

The next station will not be stored if a total of 32 preset stations for all the bands have already been stored.

NOTE

"FULL" is displayed if you attempt to store more than 32 preset stations.

PRESET NUMBER TUNING

Use the remote control to select the preset number directly.

- 1 Press **TUNER/BAND** to select a band.

- 2 Press numbered buttons **0-9** and **+10** to select a preset number.

Example:

To select preset number 20, press **+10**, **+10** and **0**.

To select preset number 15, press **+10** and **5**.

Selecting a preset number on the main unit

Press **TUNER/BAND** to select a band. Then, press **◀▶** repeatedly or turn **MULTI JOG**.

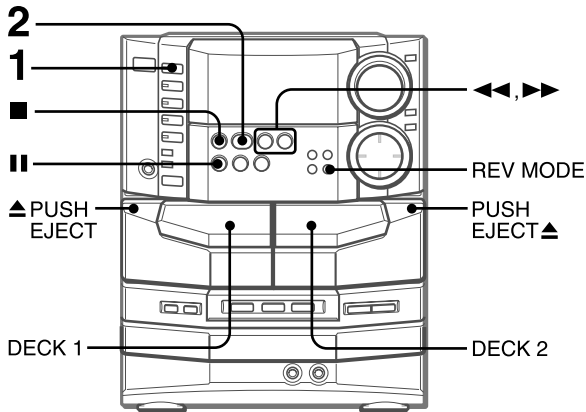
Each time **◀▶** is pressed, the next ascending number is selected.

To clear a preset station

Select the preset number of the station to be cleared. Then, press **■ CLEAR**, and press **|| SET** within 4 seconds.

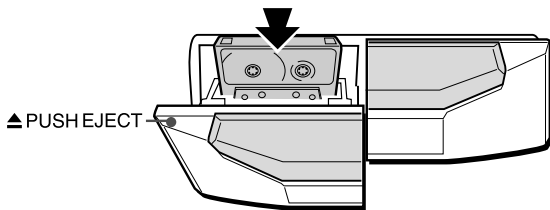
The preset numbers of all other stations in the band with higher numbers are also decreased by one.

BASIC OPERATIONS



- On deck 1, tapes are always played back on both sides. On deck 2, you can select a reverse mode to play back one or both sides.
- Use Type I (normal), Type II (high/CrO₂) or Type IV (metal) tapes for playback.

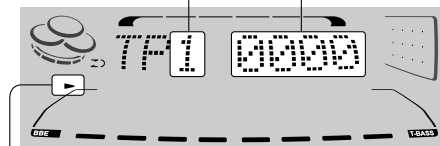
1 Press TAPE/DECK 1/2 and press PUSH EJECT ▲ to open the cassette holder.



Insert a tape with the exposed side down. Push the cassette holder to close.

2 Press ◀▶ to start play.

Selected deck number The tape counter

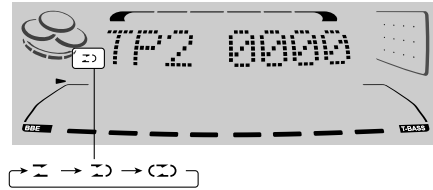


Playback side indicator

- ▶: The front side is being played (forward).
- ◀: The back side is being played (reverse).

To select a reverse mode (deck 2 only)

Each time **REV MODE** is pressed, the reverse mode changes.



- To play one side only, select ◀.
- To play from front side to reverse side once only, select ▶.
- To play both sides repeatedly, select ◀▶.
- When tapes are loaded in both decks, ▶ on the display indicates Continuous Play.

To select a playing deck

When tapes are loaded in both decks, press **TAPE/DECK 1/2** first to select a deck. The selected deck number is displayed.

To stop play, press ■.

To pause play (deck 2 only), press II. To resume play, press again.

To change the playback side, press ◀▶ in play or pause mode.

To fast forward or rewind, press ◀◀ or ▶▶. Then press ■ to stop the tape.

To start play when the power is off (Direct Play Function)

Press **TAPE/DECK 1/2**. The power is turned on and play of the inserted tape begins.

To set the tape counter to 0000

Press ■ **CLEAR** in stop mode. The counter is also set to 0000 when the cassette holder is opened and closed.

MUSIC SENSOR

If there is a 4-second or longer blank between each track, a search for the beginning of the current or next track during playback can be done easily.

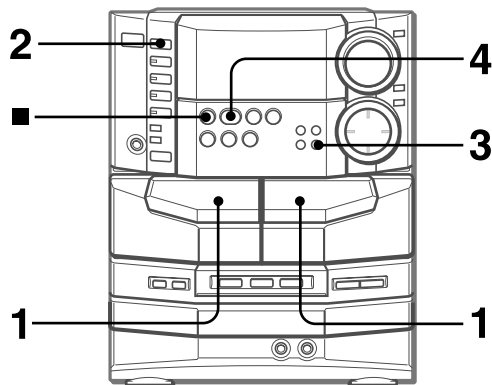
Press ◀▶ or ▶▶ during playback referring to the playback side indicator (◀ or ▶) on the display.

For example, when ▶▶ is pressed while ▶ is displayed, playback of the next track starts.

Music sensor function may not be able to detect tracks under the following conditions:

- Blanks of less than 4 seconds between tracks
- Noisy blanks
- Long passages of low-end sound
- Low overall recording levels

CONTINUOUS PLAY

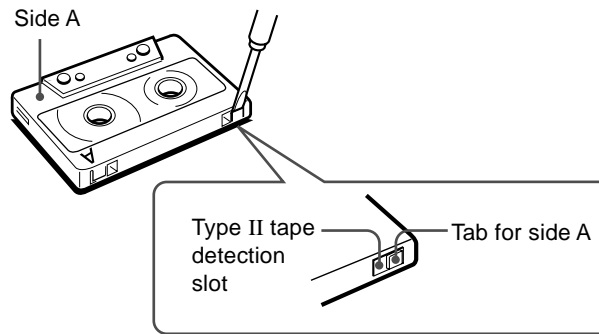


After playback on one deck finishes, the tape in the other deck will start to play without interruption.

- 1 Insert tapes into deck 1 and deck 2.**
- 2 Press TAPE/DECK1/2 to select the deck to be played back first.**
- 3 Press REV MODE to select ⏮).**
- 4 Press ◀▶ to start playback.**
Playback continues until ■ is pressed.

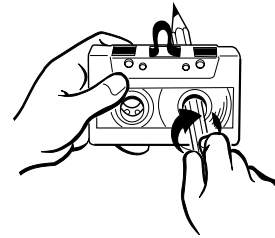
About cassette tapes

- **To prevent accidental erasure**, break off the plastic tabs on the cassette tape after recording with a screwdriver or other pointed tool.

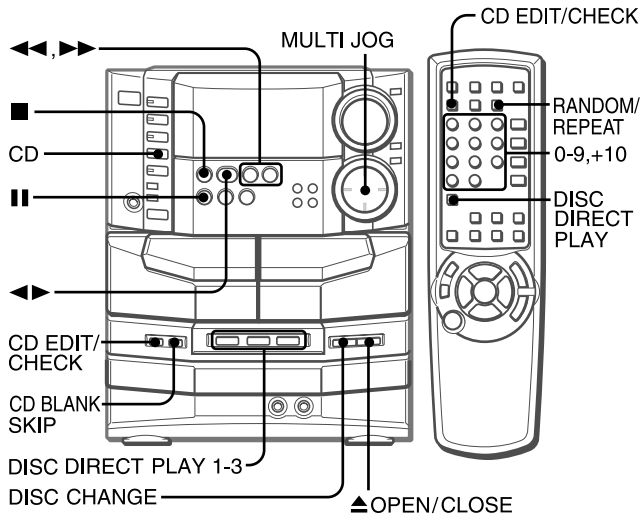


To record on the tape again, cover the tab openings with adhesive tape, etc. (On Type II tapes, take care not to cover the Type II tape detection slot.)

- **120-minute or longer tapes** are extremely thin and easily deformed or damaged. They are not recommended.
- **Take up any slack in the tape** with a pencil or similar tool before use. Slack tape may break or jam in the mechanism.



BASIC OPERATIONS



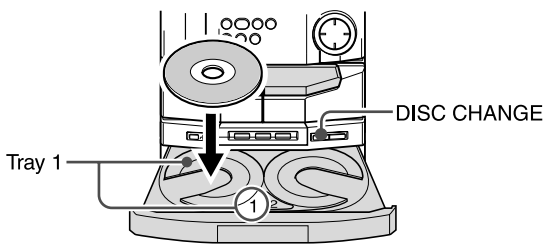
LOADING DISCS

Press **CD**, then press **▲ OPEN/CLOSE** to open the disc compartment. Load disc(s) with the label side up.

To play one or two discs, place the discs on tray 1 and 2.

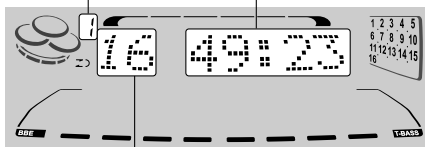
To play three discs, press **DISC CHANGE** to rotate the trays after placing two discs. Place the third disc on tray 3.

Close the disc compartment by pressing **▲ OPEN/CLOSE**.



Tray number of the disc to be played

Total playing time



Total number of tracks

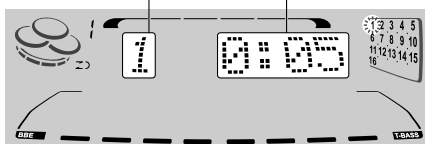
PLAYING DISCS

Load discs.

To play all discs in the disc compartment, press **◀▶**. Play begins with the disc on tray 1.

Number of track being played

Elapsed playing time



To play one disc only, press **DISC DIRECT PLAY 1-3**. The selected disc is played once.

To stop play, press **■**.

To pause play, press **⏸**. To resume play, press again.

To search for a particular point during playback, keep **◀▶** or **▶▶** pressed and release it at the desired point.

To skip to the beginning of a track during playback, press **◀◀** or **▶▶** repeatedly or turn **MULTI JOG**.

To remove discs, press **▲ OPEN/CLOSE**.

To start play when the power is off (Direct Play Function) Press **CD**. The power is turned on and play of the loaded disc(s) begins.

When **▲ OPEN/CLOSE** is pressed, the power is also turned on and the disc compartment is opened.

To check the remaining time

During play (except random play or programmed play), press **CD EDIT/CHECK**. The amount of time remaining until all tracks finish playing is displayed. To restore the playing time display, repeat the above.

Selecting a track with the remote control

1 Press **DISC DIRECT PLAY** and within 3 seconds press **1, 2** or **3** to select a disc.

2 Press numbered buttons **0-9** and **+10** to select a track.

Example:

To select the 25th track, press **+10, +10** and **5**.

To select the 10th track, press **+10** and **0**.

The selected track starts to play and continues to the end of that disc.

Replacing discs during play

While one disc is playing, the other discs can be replaced without interrupting play.

1 Press **DISC CHANGE**.

2 Remove the discs and replace with other discs.

3 Press **▲ OPEN/CLOSE** to close the disc compartment.

NOTE

- When loading an 8-cm (3-inch) disc, put it onto the inner circle of the tray.
- Do not place more than one compact disc on one disc tray.
- Do not tilt the unit with discs loaded. Doing so may cause malfunctions.
- Do not use irregular shape CDs (example: heart-shaped, octagonal ones). It may result in malfunctions.
- The unit may not play a CD-R/RW disc that is recorded on personal computers or some kinds of CD-R/RW recorders because of differences in recording platforms.
- Do not attach any seal or label to either side (the recordable side or the labeled side) of a CD-R/RW disc. It may cause malfunction.

RANDOM/REPEAT PLAY

Use the remote control.

RANDOM play

All the tracks on the selected disc or all the discs can be played randomly.

REPEAT play

A single disc or all the discs can be played repeatedly.

Press RANDOM/REPEAT.

Each time it is pressed, the function can be selected cyclically.

RANDOM play — "RANDOM" lights up on the display.

REPEAT play — "↺" lights up on the display.

RANDOM/REPEAT play — "RANDOM" and "↺" light up on the display.

Cancel — "RANDOM" and "↺" disappear from the display.

To play all discs, press ◀▶ to start play.

To play a single disc, press **DISC DIRECT PLAY** and within 3 seconds press **1, 2 or 3** to start play.

NOTE

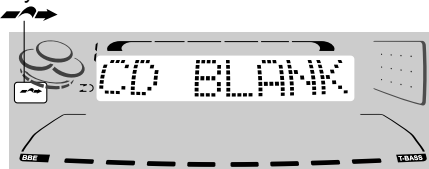
During random play it is not possible to skip to the previously played track with ◀◀.

BLANK SKIP PLAY

The silent portions between tracks recorded on a CD can be skipped during playback.

1 Press CD BLANK SKIP.

"CD BLANK SKIP ON" is displayed and "↔" appears in the display.



2 Press ◀▶ to start playback.

The silent portions between tracks will be skipped, and the sound will be played back without interruption. If a track fades out (ends with the sound gradually decreasing), the fadeout portion also will be skipped.

To return to normal playback

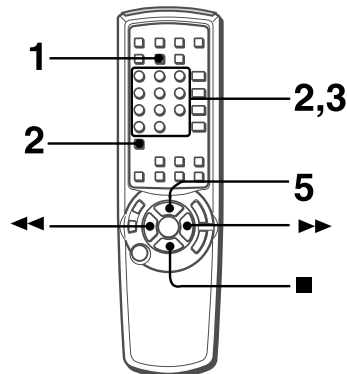
Press **CD BLANK SKIP** again, and "CD BLANK SKIP OFF" is displayed and "↔" in the display disappears.

NOTE

- There may be a case where BLANK SKIP PLAY does not function correctly.
- BLANK SKIP PLAY is automatically canceled when performing AI EDIT RECORDING (page 19), PROGRAMMED EDIT RECORDING (page 20), or recording during PROGRAMMED PLAY (below) or RANDOM PLAY (above).

PROGRAMMED PLAY

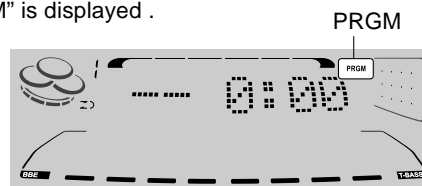
Up to 30 tracks can be programmed from any of the inserted discs.



Use the remote control.

1 Press PRGM twice in stop mode.

"PRGM" is displayed.



- When **PRGM** is pressed once in step 1, the unit enters the KARAOKE PROGRAM (page 27).

2 Press DISC DIRECT PLAY and within 3 seconds press 1, 2 or 3 to select a disc.

Go to the next step when the tray stops rotating.

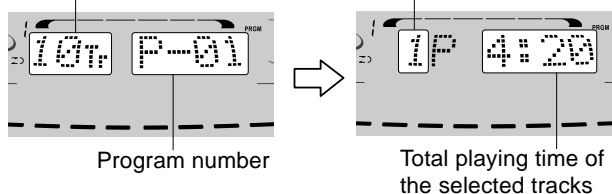
3 Press numbered buttons 0-9 and +10 to program a track.

Example:

To select the 25th track, press **+10, +10** and **5**.

To select the 10th track, press **+10** and **0**.

Selected track number Total number of selected tracks



4 Repeat steps 2 and 3 to program other tracks.

5 Press ◀▶ to start play.

To check the program

Each time ◀◀ or ▶▶ is pressed in stop mode, a disc number, track number, and program number will be displayed.

To clear the program

Press ■ **CLEAR** in stop mode.

To add tracks to the program

Repeat steps 2 and 3 in stop mode. The track will be programmed after the last track.

To change the programmed tracks

Clear the program and repeat all the steps again.

To play the programmed tracks repeatedly

After programming the tracks, press **RANDOM/REPEAT** repeatedly until "↺" appears on the display.

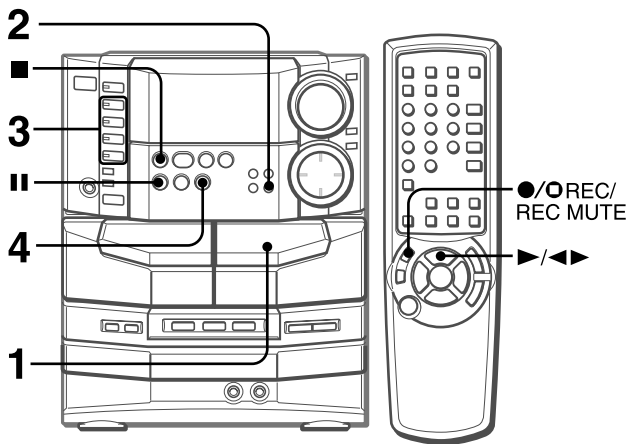
NOTE

- During programmed play, you cannot perform random play, check the remaining time, and select a disc or track. "Can't USE" is displayed if you attempt to select a track.
- "FULL" is displayed if you attempt to program more than 30 tracks.

BASIC RECORDING

This section explains how to record from the tuner, CD player, or external equipment.

Digital input from external equipment cannot be recorded.

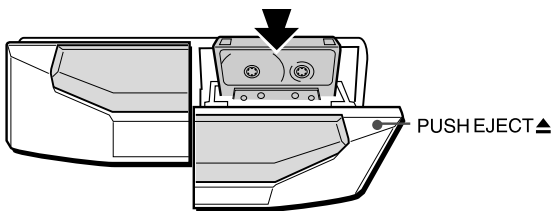


Preparation

- Use Type I (normal) and Type II (high/CrO₂) tapes for recording.
- Set the tape to the point where recording will start.

1 Insert the tape to be recorded on into deck 2.

Insert the tape with the side to be recorded on first facing out from the unit.



2 Press REV MODE to select the reverse mode.

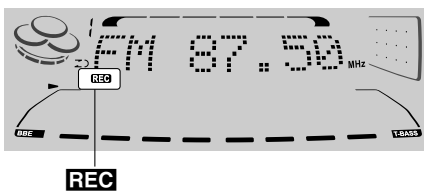
To record on one side only, select .
To record on both sides, select or .

3 Press function (TUNER/BAND, VIDEO1/DVD/AUX, CD or VIDEO2/LD/MD) and prepare the source to be recorded.

To record from a CD, press **CD** and load the disc(s).
To record from a radio broadcast, press **TUNER/BAND** and tune in to a station.
To record from a connected source, press **VIDEO1/DVD/AUX** or **VIDEO2/LD/MD**.

4 Press ● REC/REC MUTE to start recording.

When recording from a connected source, start playback of the source.



When the selected function is CD, playback and recording start simultaneously.

To stop recording, press .

To pause recording, press . (Applicable when the source is TUNER, VIDEO1/DVD/AUX or VIDEO2/LD/MD) To resume recording, press it again.

To start recording with the remote control

First press **REC/REC MUTE**, and then press within 2 seconds.

Sound adjustment during recording

The **VOLUME** control has no effect on recording, while the **BBE** affects recording.

NOTE

When recording an externally connected source via the **VIDEO1/DVD/AUX** or the **VIDEO2/LD/MD** jacks, "OVERLOAD" lights up continuously on the display if the input level is too high. In this case, stop recording and adjust the input level until "OVERLOAD" lights intermittently (page 32).

INSERTING BLANK SPACES

Insertion of 4-second blank spaces enables you to activate the Music Sensor function. (Applicable when the source is TUNER/BAND, VIDEO1/DVD/AUX or VIDEO2/LD/MD.)

1 Press ● REC/REC MUTE during recording or while in recording pause mode.

on the display flashes for 4 seconds and 4-second blank space is made. Then, the deck enters the recording pause mode.

2 Press to resume recording.

To insert a blank space of less than 4 seconds, press **REC/REC MUTE** again while is flashing.

To insert blank spaces of more than 4 seconds, after the deck enters recording pause mode, press **REC/REC MUTE** again. Each time the button is pressed, a 4-second blank space is added.

NOTE

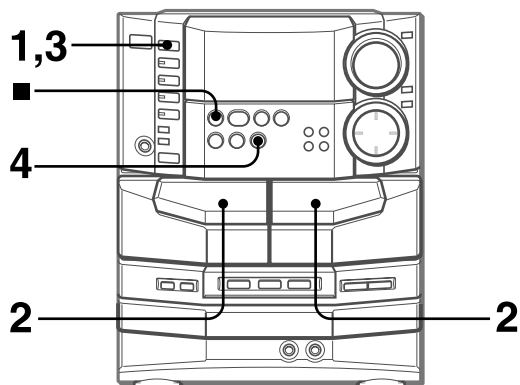
"Can't REC" is displayed if you attempt to record on a tape with the plastic tabs broken off.

To erase a recording

Make sure the microphone is not connected to this unit. Set the microphone volume and the echo level to OFF (page 25).

- 1 Insert the tape to be erased into deck 2 and press **TAPE/DECK 1/2** to display "TP 2".
- 2 Set the tape to the point where the erasure is to be started.
- 3 Set the reverse mode by pressing **REV MODE**.
- 4 Press **REC/REC MUTE** to start the erasure.

DUBBING A TAPE MANUALLY



NOTE

- Set the tape to the point where recording will start.
- The reverse mode is automatically set to \curvearrowright .
Note that recording will be done on one side of the tape only.

1 Press TAPE/DECK 1/2.

2 Insert the original tape into deck 1 and the tape to be recorded on into deck 2.

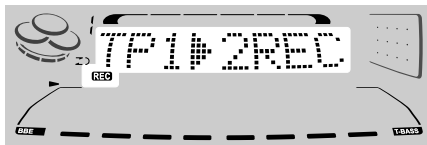
Insert the tapes with the sides to be played back or recorded on facing out from the unit.

3 Press TAPE/DECK 1/2 to select deck 1.

"TP 1" is displayed.

4 Press \bullet REC/REC MUTE to start recording.

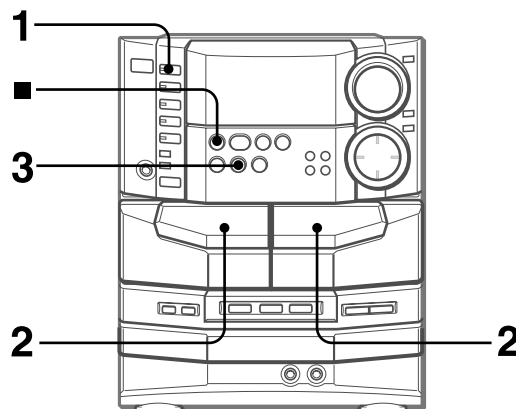
Playing and recording start simultaneously.



To stop dubbing

Press \blacksquare .

DUBBING THE WHOLE TAPE



This function allows you to make exact copies of both sides of the original tape. The reverse side of both tapes will start simultaneously as soon as the longer tape has been reversed.

NOTE

- Dubbing does not start from a point halfway in the tape.
- The reverse mode is automatically set to \curvearrowright .

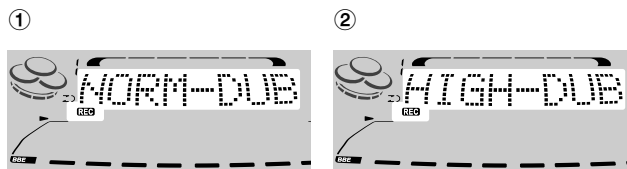
1 Press TAPE/DECK 1/2.

2 Insert the original tape into deck 1 and the tape to be recorded on into deck 2.

Insert each tape with the side to be played back or recorded on facing out from the unit.

3 Press SYNC DUB once or twice to start recording.

- ① For recording at normal speed, press it once to display "NORM-DUB".
- ② For recording at high speed, press it twice to display "HIGH-DUB".



The tapes are rewound to the beginning of the front sides, and recording starts.

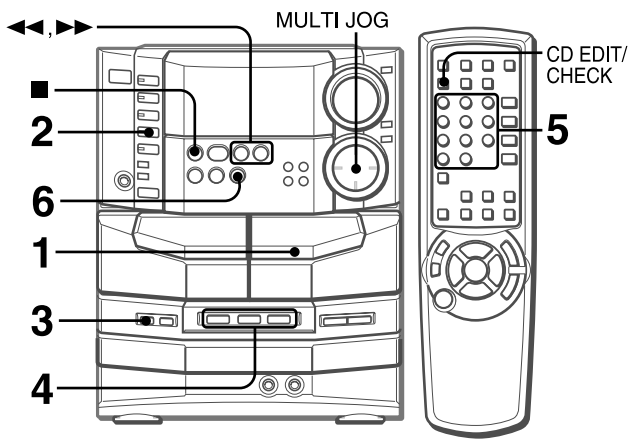
To stop dubbing

Press \blacksquare .

NOTE

Recording does not start if the erasure prevention tab on either side of the tape is broken off.

AI EDIT RECORDING



The AI edit recording function enables CD recording without worrying about tape length and track length. When a CD is inserted, the unit automatically calculates the total track length. If necessary, the order of tracks is rearranged so that no track is cut short.
(AI: Artificial Intelligence)

NOTE

AI edit recording will not start from a point halfway into the tape. The tape must be recorded from the beginning of either side.

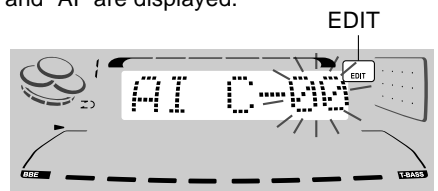
1 Insert the tape into deck 2.

Insert the tape with the side to be recorded on first facing out from the unit.

2 Press CD and load the disc(s).

3 Press CD EDIT/CHECK once.

"EDIT" and "AI" are displayed.



• When "PRGM" is displayed, press CD EDIT/CHECK.

4 Press DISC DIRECT PLAY 1-3 to select a disc.

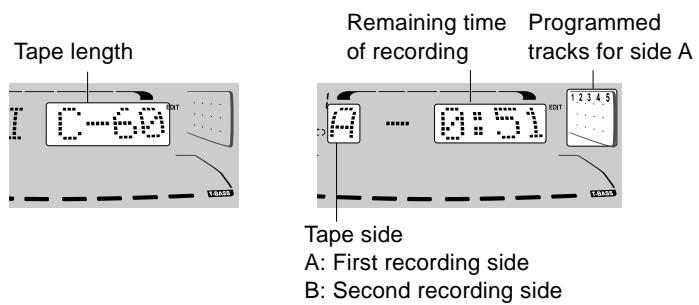
5 Press numbered buttons 0-9 on the remote control to designate the tape length.

10 to 99 minutes can be specified.

Example: When using a 60-minute tape, press 6 and 0.

In a few seconds, the tracks to be recorded on each side of the tape are determined.

• ◀◀, ▶▶ or MULTI JOG are also available to designate the tape length.



6 Press ● REC/REC MUTE to start recording on the first side.

The tape is rewound to the beginning of the front side, the lead segment is played through for 10 seconds, and recording starts. When recording on the front (side A) ends, recording on the back (side B) starts.

To stop recording

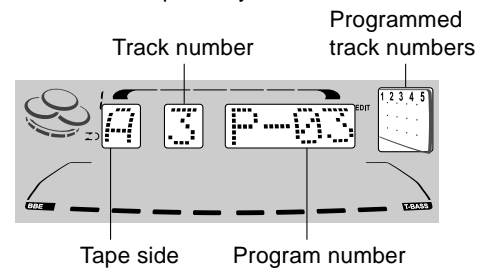
Press ■. Recording and CD play stop simultaneously.

To clear the edit program

Press ■ CLEAR twice so that "EDIT" disappears on the display.

To check the order of the programmed track numbers

Before recording, press CD EDIT/CHECK to select side A or B, and press ◀◀ or ▶▶ repeatedly.



To add tracks from other discs to the edit program

If there is any time remaining on the tape after step 5, you can add tracks from other discs in the CD compartment.

- 1 Press CD EDIT/CHECK to select side A or B.
- 2 Press DISC DIRECT PLAY 1-3 to select a disc.
- 3 Press numbered buttons on the remote control to select tracks. A track whose playing time is longer than the remaining time cannot be programmed.
- 4 Repeat steps 2 and 3 to add more tracks.

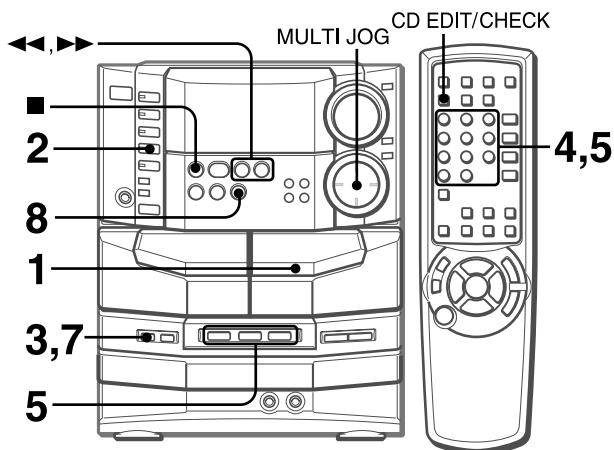
Time on cassette tapes and editing time

The actual cassette recording time is usually a little longer than the specified recording time printed on the label. This unit can program tracks to use the extra time. When the total recording time is a little longer than the tape's specified recording time after editing, the display shows the extra time (without a minus mark), instead of the time remaining on the tape (with the minus mark).

NOTE

- The AI edit recording function cannot be used with discs containing 31 tracks or more. "TR OVER" is displayed if this is attempted.
- Recording is inhibited if the erasure prevention tab on either side of the tape is broken off.

PROGRAMMED EDIT RECORDING



In the programmed edit recording function the tracks can be programmed while checking the remaining time on each side of the tape.

NOTE

The programmed edit recording will not start from a point halfway in the tape. The tape must be recorded on from the beginning of either side.

1 Insert the tape into deck 2.

Insert the tape with the side to be recorded on first facing out from the unit.

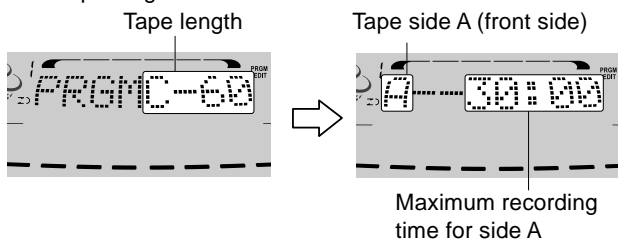
2 Press CD and load the disc(s).

3 Press CD EDIT/CHECK twice.

"EDIT" and "PRGM" are displayed.
• When "AI" is displayed, press **CD EDIT/CHECK** again.

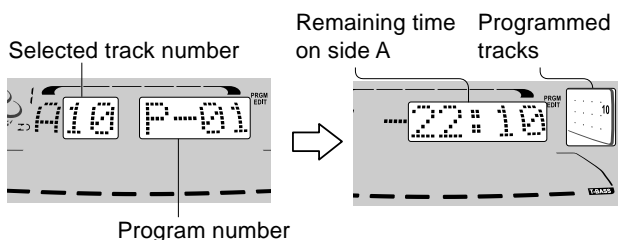
4 Press numbered buttons on the remote control to designate the tape length.

10 to 99 minutes can be specified.
• The **◀▶** or **MULTI JOG** are also available to designate the tape length.



5 Press DISC DIRECT PLAY 1-3 to select a disc. Then, press numbered buttons 0-9 and +10 on the remote control to program a track.

Example: To select the 10th track of disc 2, press **DISC DIRECT PLAY 2**, then press **+10** and **0**.

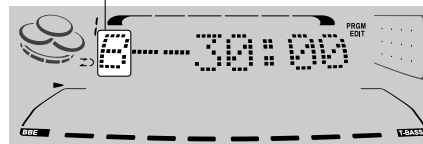


6 Repeat step 5 for the rest of the tracks for side A.

A track whose playing time is longer than the remaining time cannot be programmed.

7 Press CD EDIT/CHECK to select side B and program the tracks for side B.

After confirming "B" on the display, repeat step 5.
Tape side B (reverse side)



8 Press **REC/REC MUTE** to start recording.

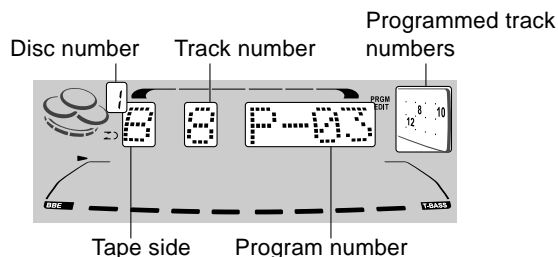
The tape is rewound to the beginning of the front side, the lead segment is played through for 10 seconds, and recording starts. When recording on the front side (A) ends, recording on the back side (B) starts.

To stop recording

Press **■**. Recording and CD play stop simultaneously.

To check the order of the programmed track numbers

Before recording, press **CD EDIT/CHECK** to select side A or B, and press **◀▶** repeatedly.



To change the program of each side

Press **CD EDIT/CHECK** to select side A or B, and press **■ CLEAR** to clear the program on the selected side. Then program tracks again.

To clear the edit program

Press **■ CLEAR** twice so that "EDIT" disappears on the display.

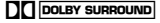
NOTE

- Up to 30 tracks can be programmed from any of the inserted discs.
- "FULL" is displayed if you attempt to program more than 30 tracks.
- Recording is inhibited if the erasure prevention tab on either side of the tape is broken off.

DOLBY SURROUND

With this unit's built-in Dolby Digital decoder and surround speaker system (the center and surround speaker units supplied in addition to the left and right front speakers), video software recorded in Dolby Digital or Dolby Pro Logic can be played back in full scale home theater sound.

Dialogs are heard in the front and center sound field, while ambient sounds like cars and crowds are reproduced on all sides of the listener, all in all for an incredibly lifelike audio-visual experience.

Dolby Pro Logic has four independent channels; left, center, right, and surround. These four channels are encoded into the two tracks of a conventional stereo program source. This unit's Dolby Digital decoder recovers these four channels on playback. Dolby Pro Logic software is marked with the  logo.

Dolby Digital, in contrast to Dolby Pro Logic, is digitized, and has separate left and right surround channels plus an additional low-frequency effects (LFE) channel. Thus it is also referred to as "5.1-channel" Dolby Digital, with the LFE channel counted as "0.1" channel.

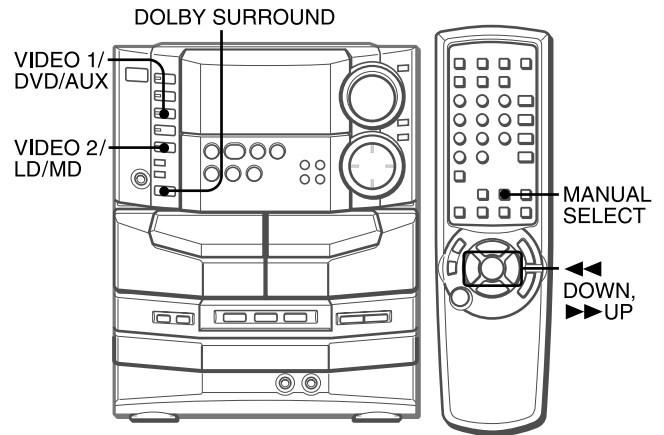
Dolby Digital software is marked with the  logo.

NOTE


- Dolby Digital sound and Dolby Pro Logic sound can only be obtained when playing back software with their respective logos.
- Make sure all the supplied speakers are placed and connected properly (pages 4 and 5).
- Make sure your video equipment and TV are connected properly (page 5). Dolby Digital playback requires digital connection between your video equipment and this unit.
- Make sure your video equipment can play back the particular medium of your Dolby Digital or Dolby Pro Logic software (LDs or DVDs, for example). Consult the operating instructions for your equipment. You cannot play DVDs on the unit's CD player.
- External digital input of this unit accepts Dolby Digital bitstream signals, or linear PCM signals with a sampling frequency of 32 kHz, 44.1 kHz or 48 kHz. This unit cannot play software whose sampling frequency is 96 kHz.
- Some DVD players connected digitally to this unit may cause noise during some DVD operation such as when searching a disc, skipping a chapter, etc.

PLAYING DOLBY SURROUND SOUND

Select digital input for a Dolby Digital disc, and analog input for a Dolby Pro Logic software.



Playing Dolby Digital Sound

For software with the  logo.

1 Select the source.

If your video equipment is connected to the **DIGITAL IN OPTICAL** jack; hold down **VIDEO1/DVD/AUX**.

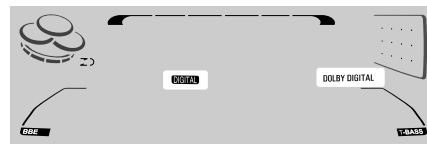
If your video equipment is connected to the **DIGITAL IN COAXIAL** jack; hold down **VIDEO2/LD/MD**.

"ANALOG" and "DIGITAL" appear alternately on the display. Release the button when "DIGITAL" is shown.

The **DIGITAL** indicator lights up on the display, and digital input from your equipment is selected as the source.

2 Play the Dolby Digital source on your video equipment.

The **DOLBY DIGITAL** indicator lights up on the display, and audio is reproduced in Dolby Digital sound.



Playing Dolby Pro Logic Sound

For software with the  logo.

1 Select the source.

If your video equipment is connected to the **VIDEO1/DVD/AUX** jacks; hold down **VIDEO1/DVD/AUX**.

If your video equipment is connected to the **VIDEO2/LD/MD** jacks; hold down **VIDEO2/LD/MD**.

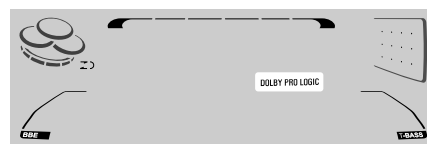
"ANALOG" and "DIGITAL" appear alternately on the display. Release the button when "ANALOG" is shown.

Analog input from your equipment is selected as the source.

2 Play the Dolby Pro Logic source on your video equipment.

3 Press DOLBY SURROUND.

The **DOLBY PRO LOGIC** indicator lights up on the display, and audio is reproduced in Dolby Pro Logic sound.



To cancel DOLBY PRO LOGIC

Press **DOLBY SURROUND** repeatedly until "OFF" is displayed.

To adjust the sound level of the speakers during playback

See "To adjust the level balance without the test signal", page 23.

NOTE

- If Dolby Digital software is played back via analog connection, the sound will be in Dolby Pro Logic.
- Dolby Digital mode is automatically changed to 2ch ST (see below) when the headphones are plugged in.
- Dolby Pro Logic sound is automatically canceled when the headphones are plugged in.
- When Dolby Digital or Dolby Pro Logic is active, you cannot turn on the DSP surround, the BBE system, the Echo or the Karaoke function (except for Dolby Digital Karaoke, page 26). "Can't USE" will be displayed.

ADDITIONAL DOLBY SURROUND MODES

Phantom and 3 Stereo modes

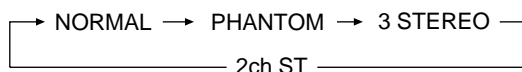
In addition to the NORMAL mode (default), both Dolby Digital and Dolby Pro Logic comes in PHANTOM and 3 STEREO modes. These modes are to be used when either the center speaker unit or the surround speaker units are not available. Since all speakers are supplied, they should not be needed under normal use of this stereo system.

To change the Dolby Digital or the Dolby Pro Logic mode

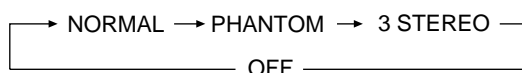
Press **DOLBY SURROUND** repeatedly until the desired mode is displayed.

With each press, the mode changes as follows:

[Dolby Digital]



[Dolby Pro Logic]



PHANTOM mode

Use this mode when the center speaker unit is not connected. The center channel signals are output through the front speakers.

3 STEREO mode

Use this mode when the surround speaker units are not connected. The rear channel signals are output through the front speakers.

2ch ST (Dolby Digital) or OFF (Dolby Pro Logic) mode

Use these modes when neither the center nor the surround speaker units are connected.

2ch ST is also used when playing back Dolby Digital karaoke discs (page 26).

NOTE

Dolby Digital modes can only be selected when a Dolby Digital source is being played via digital connection.

Playing back 2-channel Dolby Digital software

Some Dolby Digital discs contain only two sound channels, which may or may not be encoded in Dolby Pro Logic.

- For Pro Logic-encoded 2-channel Dolby Digital software: Select the NORMAL mode to obtain output from the surround speakers as well as the left and right front speakers.
- For 2-channel Dolby Digital software that is not Pro Logic encoded: Select the 2ch ST mode, since the surround sounds are not available.

Overview of the available modes

The charts below show the modes recommended for specific speaker configurations. The recommended mode for this system with the supplied speakers is highlighted.

[Dolby Digital]

		Center speaker (supplied)	
		Connected	Not connected
Surround speakers (supplied)	Connected	NORMAL	PHANTOM
	Not connected	3 STEREO	2ch ST

[Dolby Pro Logic]

		Center speaker (supplied)	
		Connected	Not connected
Surround speakers (supplied)	Connected	NORMAL	PHANTOM
	Not connected	3 STEREO	Off

The Subwoofer On or Off mode

If you connect an optional subwoofer to this unit (page 31), change the Subwoofer mode to "SUBW ON". Low-frequency effect signals (page 23) are sent to the subwoofer.

In the "SUBW OFF" mode (default), the LFE signals are directed to the other speakers.

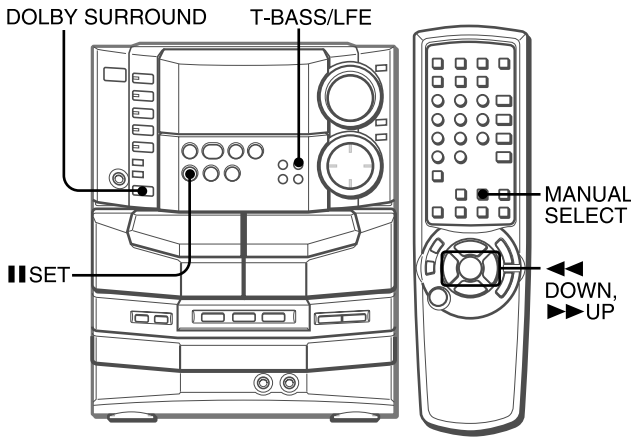
To change the subwoofer mode

- 1 Play the Dolby Digital or Dolby Pro Logic sound. See "Playing Dolby Surround sound" (page 21).
- 2 Press **MANUAL SELECT** on the remote control repeatedly until "SUBW" is displayed.
- 3 Press ◀◀ to display "SUBW OFF" or ▶▶ to display "SUBW ON" to select the desired mode.

NOTE

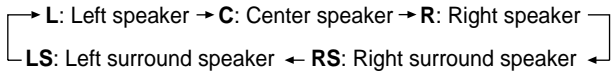
The subwoofer mode setting is common to both Dolby Digital and to Dolby Pro Logic.

SPEAKER LEVEL BALANCE AND OTHER ADJUSTMENTS



4 Press **◀◀◀◀** or **▶▶▶▶** on the remote control to adjust the sound level of the speakers.

The test signal automatically cycles through the channels in the following order:



The indication for the currently adjustable channel flashes in the display. The channel will not change while you are adjusting the sound level.

For the left and right front speakers:
Press **◀◀◀◀** to shift the balance to the left and **▶▶▶▶** to shift to the right.

For the center and the surround speakers:
Press **◀◀◀◀** to de-emphasize the channel and **▶▶▶▶** to emphasize the channel.

NOTE

- Level adjustment is available only for speakers that are activated (i.e., no center speaker adjustment in the Phantom mode, and no surround speaker adjustment in the 3 Stereo mode).
- Adjustment of speaker levels is common to Dolby Digital, Dolby Pro Logic and DSP Surround.
- A clicking sound might be heard with the test signal during level adjustment. This is due to the circuit characteristics and is not a malfunction.

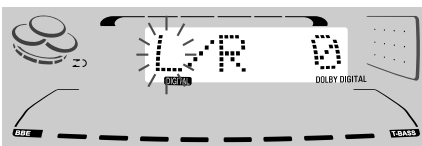
ADJUSTING SOUND LEVEL OF SPEAKERS

For optimum performance, the sound level of all available channels should be adjusted to suit your listening environment.

- The left and right front speakers** create the stereo effect.
- The center speaker** helps achieve precise sound positioning over a broad sound field.
- The surround speakers** enhance the “depth” of the sound field.

The unit is equipped with a built-in test signal generator for easy balance adjustment of the channels. The test signal “travels” from channel to channel. Adjust the sound level for the same apparent loudness from each channel at listening position.

- 1 Play the Dolby Surround sound.**
See “Playing Dolby Surround sound” (page 21).
- 2 Press DOLBY SURROUND repeatedly to select the mode for your speaker configuration.**
For playback with the supplied speakers, select “NORMAL”. (For other modes, see “Additional Dolby Surround modes”, page 22).
- 3 Hold down MANUAL SELECT until “L” flashes in the display.**



NOTE

Pressing **MANUAL SELECT** (instead of holding it down) will enable level adjustment without the test signal. See “To adjust the level balance without the test signal”, below.

To stop the test signal
Press **MANUAL SELECT**.

To stop speaker level adjustment
Press **■**.

- To adjust the level balance without the test signal**
- 1 Play the Dolby Surround sound.
 - 2 Press **DOLBY SURROUND** repeatedly to select the mode for your speaker configuration.
 - 3 Press **MANUAL SELECT** repeatedly until “L/R” is displayed.
 - 4 Press **◀◀◀◀** or **▶▶▶▶** on the remote control to adjust the balance of the front speakers.
 - 5 Repeat steps 3 and 4 to adjust the balance of the center and the surround speakers.

ADJUSTING LOW-FREQUENCY EFFECT LEVEL

Dolby Digital has a discrete channel for LFE (low-frequency effects), which reproduces sounds such as explosions and rumbles in movie soundtracks with astonishing realism. The sound level of the low-frequency sound effect can be adjusted to suit your preference. LFE is not available for Dolby Pro Logic.

- 1 Play the Dolby Digital sound.**
See “Playing Dolby Surround sound” (page 21).
- 2 Press T-BASS/LFE and hold it down until “LFE” is displayed.**
- 3 Press ◀◀ or ▶▶ repeatedly to adjust the LFE sound level.**
Adjust between OFF to 0 dB (maximum effect; default).

ADJUSTING DELAY TIME

Sounds from the surround speakers are reproduced a split second after the front speakers for the effect of "depth". This delay time, as well as that for the center speaker, can be adjusted.

1 Play the Dolby Surround sound.

See "Playing Dolby Surround sound" (page 21).

2 Press **MANUAL SELECT** repeatedly on the remote control to select the delay time to adjust.

"C Xms": delay time setting for center speaker

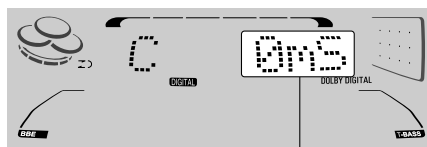
"S Xms" : delay time setting for surround speakers

3 Press **◀◀◀** or **▶▶▶** to adjust the delay time.

[Center speaker]

Adjust the delay time so that screen dialog are heard clearly and naturally.

The default is 0 milliseconds (no delay). Adjust between 0 and 5 ms in 1 ms steps.



0mS ↔ 1mS ↔ 2mS ↔ 3mS ↔ 4mS ↔ 5mS

[Surround speakers]

Adjust the delay time to suit your preference.

Dolby Digital

The default is 5 ms. Adjust between 0 and 15 ms in 5 ms steps.

Dolby Pro Logic

The default is 20 ms. Adjust between 15 and 30 ms in 5 ms steps.

NOTE

- Adjustment of the delay time setting in Dolby Digital affects that of Dolby Pro Logic, and vice versa. Surround speaker delay time in Dolby Digital of 0 ms, 5 ms, 10 ms, and 15 ms, correspond to 15 ms, 20 ms, 25 ms and 30 ms in Dolby Pro Logic, respectively.
- Delay time adjustment is available only for speakers that are activated (i.e., no center speaker adjustment in the Phantom mode and no surround speaker adjustment in the 3 Stereo mode).

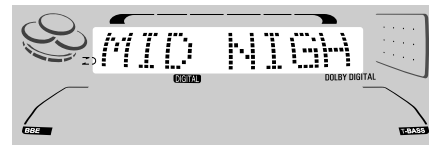
ADJUSTING DYNAMIC RANGE

In Dolby Digital, dynamic range between soft and loud sounds can be adjusted to suit your desired playback volume. Dynamic range adjustment is not available for Dolby Pro Logic.

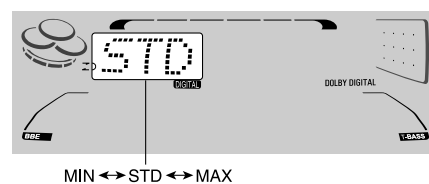
1 Play the Dolby Digital sound.

See "Playing Dolby Surround sound" (page 21).

2 Hold down **■ SET** until "MIDNIGHT THEATER" appears on the display.



3 Press **◀** or **▶** to select the desired mode.



[MIN]

Minimum dynamic range compression. Enjoy the full dynamic range of the sound track as experienced in a movie theater.

[STD]

Standard dynamic range compression recommended by the software producers when playing back at home. Default.

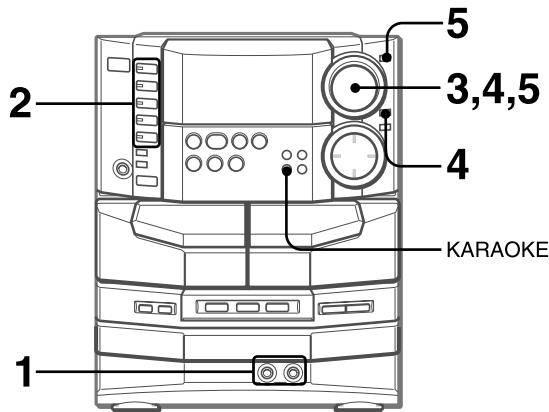
[MAX]

Maximum dynamic range compression. Keeps soft sounds and dialogs intelligible even with the overall volume turned down. Select this mode when you have to keep the volume low, for example, when playing back late at night.

NOTE

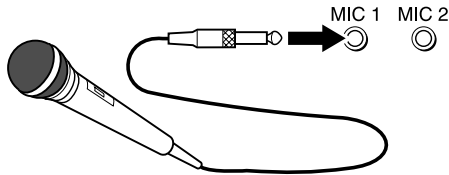
- **■ SET** acts as the pause button during recording.

MICROPHONE MIXING



Two microphones (not supplied) can be connected to this unit, allowing you to sing along to music sources. Use microphones with standard plugs (ø6.3 mm, 1/4 inch).

1 Connect your microphones to MIC 1 and MIC 2 jacks.



2 Press one of the function buttons to select the source to be mixed, and play the source.

3 Adjust the volume and tone of the source.

4 Press MIC and turn VOLUME within 4 seconds to adjust the microphone volume.

The microphone volume can be selected from 1 to MAX (7) or OFF (cancel).

The volume of both microphones is adjusted simultaneously.

5 Press ECHO and turn VOLUME within 4 seconds to adjust the echo level.

The echo level can be selected from 1 to MAX (7) or OFF (cancel).

To change the delay time of echo

Hold down **ECHO** while the echo is on. "L" (Long) and "M" (Middle) are displayed alternately. At the desired position, release the button.

To record microphone sound mixed with source sound

Follow the procedure for recording from the sound source (see page 17).

SYNC DUB cannot be used for mixing recording.

When not using the microphones

Set the microphone volume and echo level to OFF and remove the microphones from **MIC** jacks.

NOTE

- MIC and ECHO are reset to OFF automatically when the function is changed, the power is turned off, or the AC cord is disconnected.
- When the ECHO level is changed, the DSP SURROUND system is automatically canceled.
- ECHO is not available for DOLBY Surround sound.

- If sound through the microphone is extremely loud, it may be distorted. In this case, decrease the microphone volume.
- When the function is changed, the microphone volume and the echo volume are set to off.

Recommended microphones

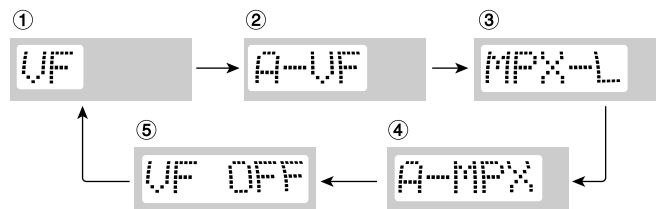
The use of unidirectional type microphones is recommended to prevent howling. Contact your local Aiwa dealer for details.

VOCAL FADER/MULTIPLEX FUNCTIONS

This unit can use discs or tapes as Karaoke sources. Use the vocal fader function for ordinary discs or tapes. Use the multiplex function for multi audio discs or tapes.

Press KARAOKE repeatedly to select the vocal fader or multiplex function.

Each time **KARAOKE** is pressed, one of these functions is selected cyclically.



① Vocal Fader

The singer's voice becomes softer than the accompaniment.

② Auto Vocal Fader

The singer's voice becomes softer only while there is audio input through a microphone.

③ Multiplex

Only the sound on the left channel is heard from both speakers, and the sound on the right channel is muted.

④ Auto Multiplex

The sound on the left channel is heard from both speakers, and the sound on the right channel is muted only while there is audio input through a microphone.

⑤ Cancel

To change the time lag setting in Auto Vocal Fader or Auto Multiplex function

The muted singer's voice can be restored faster. When Auto Vocal Fader or Auto Multiplex is selected, "A-VF" or "A-MPX" is displayed for 3 seconds and changes to the selected function name. After the selected function name is displayed, keep pressing KARAOKE until "FAST" is displayed. To return to the initial setting, select SLOW. When the power is turned off, SLOW is restored.

To change the audible channel in Multiplex function

When Multiplex is selected, "MPX-L" is displayed for 3 seconds and changes to the selected function name. After the selected function name is displayed, keep pressing KARAOKE until "MPX-R" is displayed. To return to the initial setting, select MPX-L. When the power is turned off, MPX-L is restored.

NOTE

- The Karaoke function may not operate correctly for CDs or tapes:
 - with monaural sound
 - recorded with strong echoes
 - with the vocal part recorded only on either the right or left side of the sound width
- While the Karaoke function is on, the sound is output in monaural.
- The VOCAL FADER function is automatically canceled:
 - when any function button is pressed
 - when the Dolby Pro Logic system is activated
- The VOCAL FADER/MULTIPLEX function cannot be turned on:
 - while the Dolby Pro Logic system is active
 - while digital input is selected (except when playing Dolby Digital Karaoke discs in the 2CH STEREO mode, below).

USING DOLBY DIGITAL KARAOKE DISCS

With this unit's built-in Dolby Digital decoder, you can use Dolby Digital karaoke discs played back on a compatible video equipment connected to this unit.

1 Play the Dolby Digital karaoke disc.

See "Playing Dolby Surround sound", (page 21).

2 Press DOLBY SURROUND repeatedly to select the 2CH STEREO mode.

The 2CH DOWNMIX indicator lights up on the display.

See "Additional Dolby Surround modes", (page 22).

3 Press KARAOKE repeatedly to select a vocal fader or a multiplex function.

Each time **KARAOKE** is pressed, the functions are selected cyclically as follows;

① VF: Vocal Fader mode

V1 (Vocal 1) is muted. When playing duet discs, V2 (Vocal 2) is also muted.

② A-VF: Auto Vocal Fader mode

While there is audio input through a microphone, V1 is muted. When playing duet discs, V2 is also muted.

③ MPX-L or MPX-R: Multiplex mode

This mode is available only when playing duet discs.

MPX-L: V1 is output from the left channel and V2 on the right channel is muted .

MPX-R: V2 is output from the right channel and V1 on the left channel is muted.

④ A-MPX: Auto Multiplex mode

This mode is available only when playing duet discs. While there is audio input through the microphone, either the left or right channel is muted, depending on the Multiplex mode setting.

⑤ VF OFF: Normal Play

V1 is output from the both channel when playing solo discs. In duet discs, V1 is output from the left channel and V2 from the right channel.

NOTE

ECHO is not available for DOLBY Surround sound.

Guide melody function

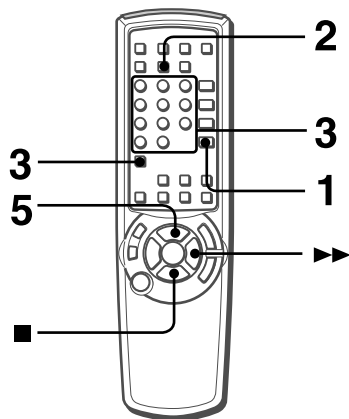
Some Dolby Digital Karaoke discs are equipped with the guide melody function, where the main vocal part is played by an instrument instead of the singer's voice.

To turn off the guide melody function, press **|| SET** so that "MELODY OFF" appears on the display.

Each time the button is pressed, the guide melody function is turned on or off.

When the playing disc does not support this function, "NO MELODY" will appear on the display.

KARAOKE PROGRAM

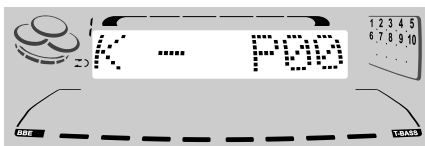


Before or during CD play, you can reserve up to 15 tracks to be played after the current track. Each reservation is cleared when it finishes playing.

Use the remote control.

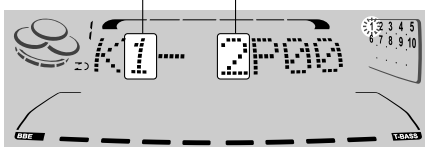
1 Press CD and load the discs.

2 Press PRGM once.



3 Press DISC DIRECT PLAY and within 3 seconds press 1, 2 or 3 to select a disc . Then, press numbered buttons 0-9 and +10 to program a track.

Reserved disc number Reserved track number

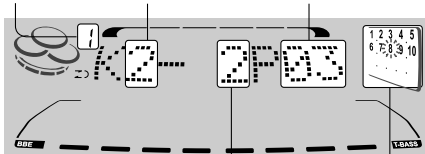


4 Repeat step 3 to reserve other tracks.

5 Press ◀▶ to start play.

After a track is played, it is cleared from the program.

Currently playing disc Disc number of the last reservation Number of remaining reserved tracks



Track number of the last reservation Currently playing track number flashes

To add a reservation during play

Repeat step 3.

To check the reserved tracks

Press **CD EDIT/CHECK** repeatedly. Each time it is pressed, the disc number and track number are displayed in the reserved order.

To stop play

Press ■.

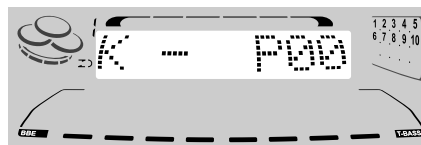
When ◀▶ is pressed, the play starts from the last track again.

To skip a current track

Press ▶▶. The skipped track is cleared from the program.

To clear all the reservations

Press ▶▶ repeatedly until "K - P00" is displayed.



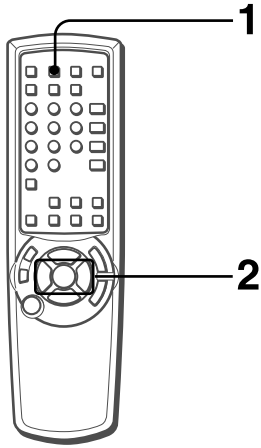
Press it once more to cancel the Karaoke programs. The display returns to that of CD play.

NOTE

- If the reserved track number does not exist on the selected disc, the unit stops playing and the display flashes. In this case, press ▶▶ to skip the error track. Then press ◀▶ to start play with the next reserved track.
- When **PRGM** is pressed repeatedly in step 2, "PRGM" is displayed and the unit enters CD program play mode (page 16).

To cancel program play, press ■ **CLEAR**.

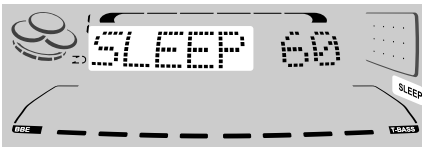
SETTING THE SLEEP TIMER



The unit can be turned off automatically at a specified time.

Use the remote control.

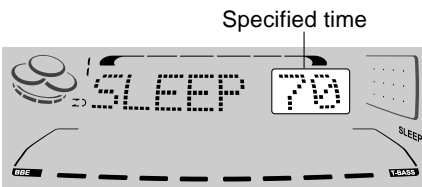
1 Press SLEEP.



2 Within 4 seconds, press ◀ DOWN or ▶ UP to specify the time until the power is turned off.

The time changes between 5 and 240 minutes in 5-minute steps.

MULTI JOG is also available in place of ◀ or ▶.

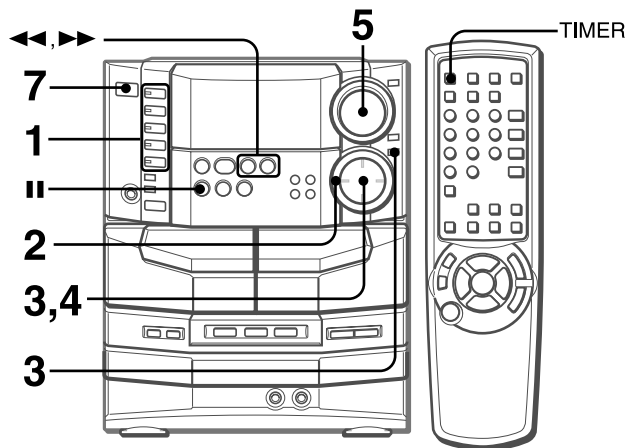


To check the time remaining until the power is turned off
Press **SLEEP** once. The remaining time is displayed for 4 seconds.

To cancel the sleep timer

Press **SLEEP** twice so that "SLEEP OFF" appears on the display.

SETTING THE TIMER



The unit can be turned on at a specified time every day with the built-in timer.

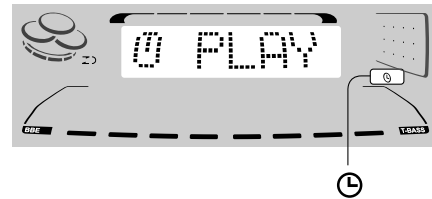
Preparation

Make sure the clock is set correctly.

1 Press one of the function buttons to select a source.

2 Press TIMER repeatedly until "⌚" appears on the display.

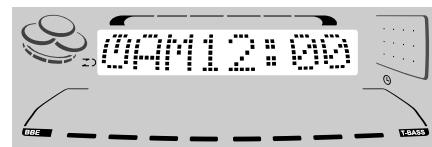
Time and audio source name flash alternately.



3 Within 6 seconds, turn MULTI JOG to designate the timer-on time, then press ENTER or ||.

Turning **MULTI JOG** changes both the hour and the minute.

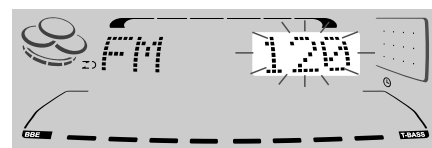
◀ or ▶ is also available in place of **MULTI JOG**. Holding these buttons down will vary the time rapidly.



4 Within 4 seconds, turn MULTI JOG to select the duration for the timer-activated period.

The duration can be set between 5 and 240 minutes in 5-minute steps.

◀ or ▶ is also available in place of **MULTI JOG**.



The duration will be automatically set after 4 seconds. It will also be set if **ENTER** or **||** is pressed within 4 seconds after step 4.

5 Adjust the volume.

The source sound will play at the volume level set in this step when the power is turned on by the timer.

If the volume level is set to 21 or higher, however, it will automatically be set to 20 when the power is turned on.

6 Prepare the source.

To listen to a CD, load the disc to be played first on tray 1.

To listen to a tape, insert the tape into deck 1 or 2.

To listen to the radio, select the band and tune in to a station.

7 Press POWER to turn off the power.

When the timer-on time is reached, the unit turns on and begins play with the selected source.

NOTE

You can change the source that was selected in step 1 by pressing one of the function buttons before pressing **ENTER** or **II** in step 3.

To check the timer setting

Press **TIMER**.

The timer-on time, the selected source, and the duration for the timer-activated period will be displayed for 4 seconds.

To change any of the previous setting

Carry out from step 1.

However, if you do not change the timer-on time, in step 3 just press **ENTER** twice and continue from step 4.

To cancel the timer standby mode temporarily

Press **TIMER** repeatedly so that "⏸" disappears.

To restore the timer standby mode, press again to display "⏸".

Using the unit while the timer is set

You can use the unit normally after setting the timer.

Before turning off the power, carry out steps 5 and 6.

To play back an external source by the timer

Select the appropriate source in step 1 (see "Listening to external sources", page 32). Connected equipment cannot be turned on and off by the built-in timer of this unit. Use an external timer.

NOTE

Timer playback and timer recording will not begin unless the power is turned off.

TIMER RECORDING

Timer recording applies only for the TUNER or analog external sources.

Use an external timer for an external source.

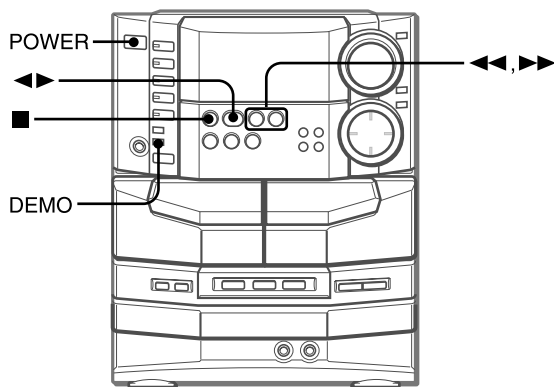
Digital input from external equipment cannot be recorded.

Press either **TUNER/BAND** or **VIDEO1/DVD/AUX** to select a source, then **press TIMER repeatedly until "⏸ REC" appears on the display**. Within 6 seconds, carry out the steps of "SETTING THE TIMER" from step 3 and insert the tape to be recorded on into deck 2 after step 6.

NOTE

- If the timer recording is done with the economizing mode (page 7) set to "ECO ON" or "ECO AUTO" and the power turns off, the dimmer mode will be set to dimmest and the volume level will be 0 (minimum level) the next time the power is turned on.
- You cannot use the timer function to record from a CD or tape.
- You can check the timer setting by pressing **TIMER** even while the power is off. In this case, if you press **ENTER** or **II** within 4 seconds after pressing **TIMER**, you can enter the timer setting mode and change the previous setting.

DEMO (Demonstration)



You can enjoy two kinds of DEMO modes on this unit. One is *demo*, the other one is *game demo*. In the demo mode, colorful illumination demonstrates in the display. In the game demo mode, you can play a game.

To switch the two modes to each other, press **POWER** while pressing **DEMO** when the power is off.

To play the game Demo

1 Press DEMO whether the unit is turned on or off, and whether the clock has been set or not.

2 Press ◀▶.
Three numbers on the display start to run.

3 Press ■ once.
The number on the left side stops.

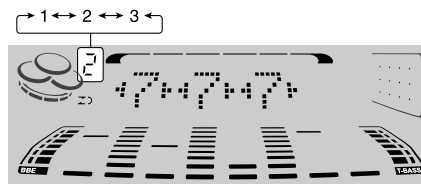
4 Press ■ twice to stop the remaining two numbers.

Scoring:
20 points are given to start the game.
If all the numbers are equal, 50 points are added to the score.
If not equal, one point is subtracted.
If the gained points reach 9999, you win.
If the gained points fall to 0, you lose.

To cancel the game Demo
Press **DEMO**.

To reset the game Demo
Press **DEMO** twice.

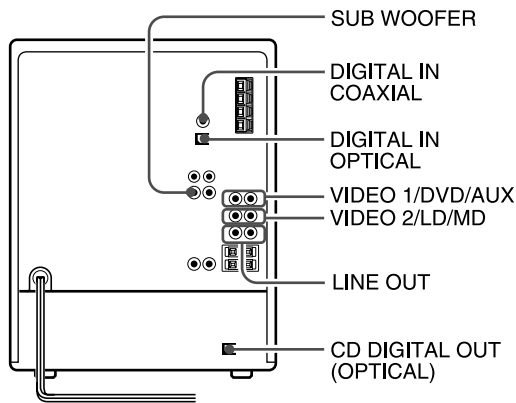
To change the probability of equalizing the three numbers
Press ◀◀ or ▶▶ repeatedly to select one of the three probability levels when playing the game Demo. The tray number indicator in the display changes between 1 and 3. As the tray number increases from 1 to 3, the higher the probability of equalizing.



NOTE

- During playing the game Demo, ■, ◀◀, ▶▶ and ◀▶ are available only for the game Demo. Cancel the game Demo to use these buttons for the functions such as CD playing, etc.
- During the game Demo, some indicators unrelated with the actual operation light up on the display.
- **DEMO** is locked out during recording and is not operative.
- The game Demo is automatically canceled if the volume is adjusted while the unit is turned on.
- DEMO cannot be used when the Dolby Digital is activated.

CONNECTING OPTIONAL EQUIPMENT



Refer to the operating instructions of the connected equipment for details.

- The connecting cords are not supplied. Obtain the necessary connecting cords.
- Consult your local Aiwa dealer for optional equipment.

VIDEO1/DVD/AUX OR VIDEO2/LD/MD JACKS

This unit accepts analog input sound signals through these jacks. Use a cable with RCA phono plugs to connect audio equipment (turntables, LD players, MD players, VCRs, TV, etc.). Connect the red plug to the R jack, and the white plug to the L jack.

- When audio equipment is connected to **VIDEO2/LD/MD** jacks and this input is selected, no sound will be output from the **LINE OUT** jacks.

When connecting a turntable

Use an Aiwa turntable equipped with a built-in equalizer amplifier.

LINE OUT JACKS

This unit can output analog sound signal through these jacks. Use a cable with RCA phono plugs to connect audio equipment with **LINE IN** (analog input) jacks. Connect the red plug to **LINE OUT R** jack and the white plug to **LINE OUT L** jack.

NOTE

Do not connect an equipment to both the **LINE OUT** jacks and the **VIDEO1/DVD/AUX** jacks of this unit at the same time. It will generate noise and may cause malfunction.

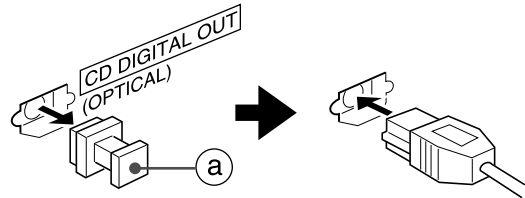
SUB WOOFER JACK

Connect an optional powered subwoofer with a built-in amplifier to the **SUBWOOFER** jack. Change the subwoofer mode (page 22).

CD DIGITAL OUT (OPTICAL) JACK

This unit can output CD digital sound signals through this jack. Use an optical cable to connect digital audio equipment (DAT deck, MD recorder, etc.).

Remove the dust cap **(a)** from the **CD DIGITAL OUT (OPTICAL)** jack. Then, connect an optical cable plug to the **CD DIGITAL OUT (OPTICAL)** jack.



When the CD DIGITAL OUT (OPTICAL) jack is not being used

Attach the supplied dust cap.

DIGITAL IN JACKS

This unit accepts Dolby Digital signals as well as PCM signals (conventional digital audio signals, used, for example, in audio CDs) from external digital equipment through its two **DIGITAL IN** jacks.

To connect to the **DIGITAL IN OPTICAL** jack, remove the dust cap from the jack and use an optional optical cable. To connect to the **DIGITAL IN COAXIAL** jack, use an optional coaxial cable.

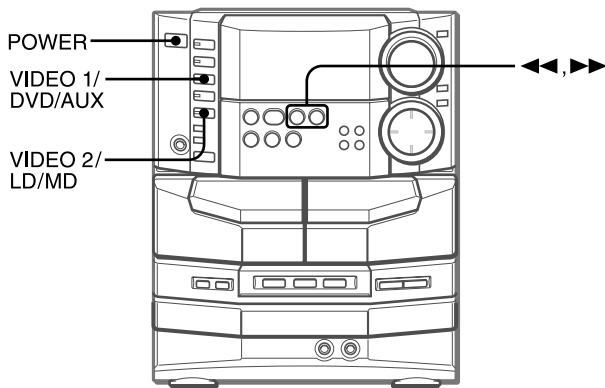
When the DIGITAL IN OPTICAL jack is not being used

Attach the supplied dust cap.

NOTE

- Signal through either **DIGITAL IN** jacks
 - is not graphically displayed on the spectrum analyzer
 - cannot be recorded.
- For these reasons, we recommend that you connect your digital equipment also by analog connection. Analog input will activate the spectrum analyzer and enable analog recording in 2 channel stereo on this unit. Connect digital equipment connected to the **DIGITAL IN OPTICAL** jack also to the **VIDEO1/DVD/AUX** jacks. Connect one connected to the **DIGITAL IN COAXIAL** jack also to the **VIDEO2/LD/MD** jacks.
- To switch between analog or digital input, see "Listening to External Sources" (page 32).

LISTENING TO EXTERNAL SOURCES



PLAYING AN EXTERNAL ANALOG SOURCE

To play equipment connected to either the **VIDEO1/DVD/AUX** or the **VIDEO2/LD/MD** jacks, proceed as follows.

1 Select input.

To play the equipment connected to the **VIDEO1/DVD/AUX** jacks, hold down **VIDEO1/DVD/AUX**.

To play the equipment connected to the **VIDEO2/LD/MD** jacks, hold down **VIDEO2/LD/MD**.

“ANALOG” and “DIGITAL” appear alternately on the display. Release the button when “ANALOG” is shown.

Analog input from your equipment is selected as the source.

2 Play the connected equipment.

To change the source name display

When the analog source is selected with **VIDEO1/DVD/AUX**, “VIDEO1” is displayed initially as the source name. It can be changed to “DVD” or “AUX”.

Similarly, “VIDEO2” is initially displayed for the analog source selected with **VIDEO2/LD/MD**, but can be changed to “LD” or “MD”.

With the power on, hold down the desired function button (**VIDEO1/DVD/AUX** or **VIDEO2/LD/MD**) and press **POWER** repeatedly to select a name.

To adjust the sound level of the external source

This unit is equipped with the overload indicator. When analog signal input from the connected equipment is too high, “OVERLOAD” lights up continuously on the display.

When this occurs, or when the sound level of the external source is much lower than that of other function sources, adjust it as follows.

- 1 Hold down either **VIDEO1/DVD/AUX** or **VIDEO2/LD/MD** to select analog input and play the equipment.
- 2 Press ◀◀ or ▶▶ so that the sound level becomes the same as that of other function sources.

NOTE

- During recording, the sound level cannot be adjusted.
- Only the sound level for analog external sources can be adjusted. If ◀◀ or ▶▶ is pressed when a digital external source is selected, the sound level for the corresponding analog external source is changed.

PLAYING AN EXTERNAL DIGITAL SOURCE

To play equipment connected to either the **DIGITAL IN OPTICAL** or the **DIGITAL IN COAXIAL** jack, proceed as follows.

1 Select input.

To play the equipment connected to the **DIGITAL IN OPTICAL** jack, hold down **VIDEO1/DVD/AUX**.

To play the equipment connected to the **DIGITAL IN COAXIAL** jack, hold down **VIDEO2/LD/MD**.

“ANALOG” and “DIGITAL” appear alternately on the display. Release the button when “DIGITAL” is shown.

The DIGITAL indicator lights up on the display, and digital input from your equipment is selected as the source.

2 Play the connected equipment.

To play Dolby Digital software

This unit is equipped with a Dolby Digital decoder. You can enjoy theater-quality audio right in your home if you play a Dolby Digital software on a compatible video equipment connected digitally to this unit.

To play Dolby Digital software, see section “Dolby Surround” (pages 21 to 24).

NOTE

- This unit supports Dolby Digital bitstream signals, and linear PCM signals with a sampling frequency of 32 kHz, 44.1 kHz or 48 kHz. This unit cannot play software whose sampling frequency is 96 kHz.
- Some DVD players connected digitally to this unit may cause noise during some DVD operation such as when searching a disc, skipping a chapter, etc.

CARE AND MAINTENANCE

Occasional care and maintenance of the unit and the software are needed to optimize the performance of your unit.

To clean the cabinet

Use a soft and dry cloth.

If the surfaces are extremely dirty, use a soft cloth lightly moistened with mild detergent solution. Do not use strong solvents, such as alcohol, benzine or thinner as these could damage the finish of the unit.

To clean the tape heads

When the tape heads are dirty;

- high frequency sound is not emitted
- the sound is not adequately high
- the sound is off-balance
- the tape cannot be erased
- the tape cannot be recorded on

After every 10 hours of use, clean the tape heads with a head cleaning cassette.

Refer to the instructions of the cleaning cassette for details.

To demagnetize the tape heads

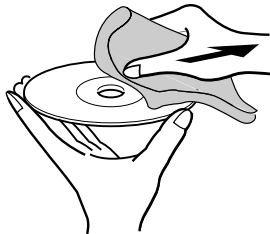
The tape heads may become magnetized after long-term use. This may narrow the output range of recorded tapes and increase noise.

After every 20 to 30 hours of use, demagnetize the tape heads with a separately sold demagnetizing cassette.

Refer to the instructions of the demagnetizing cassette for details.

Care of discs

- When a disc becomes dirty, wipe the disc from the center out with a cleaning cloth.



- After playing a disc, store the disc in its case. Do not leave the disc in places that are hot or humid.

Care of tapes

- Store tapes in their cases after use.
- Do not leave tapes near magnets, motors, television sets, or any source of magnetism. This will downgrade the sound quality and cause noise.
- Do not expose tapes to direct sunlight, or leave them in a car parked in direct sunlight.

TROUBLESHOOTING GUIDE

If the unit fails to perform as described in these Operating Instructions, check the following guide.

GENERAL

There is no sound.

- Is the AC cord connected properly?
- Is there a bad connection? (→ page 4)
- There may be a short circuit in the speaker terminals.
 - Disconnect the AC cord, then correct the speaker connections.
- Was an incorrect function button pressed?

Sound is emitted from one speaker only.

- Is the other speaker disconnected?

The output sound is not stereo.

- Is the Karaoke function turned on? (→ page 25)

An erroneous display or a malfunction occurs.

→ Reset the unit as stated below.

The unit blacks out when the power is turned off.

- Is the power economizing mode set to "ECO ON" or "ECO AUTO"? (→ page 7)

The power is not turned on.

→ Disconnect the AC cord, and connect it again in a few seconds.

TUNER SECTION

There is constant, wave-like static.

- Is the antenna connected properly? (→ page 5)
- Is the signal weak?
 - Connect an outdoor antenna.

The reception contains noise interferences or the sound is distorted.

- Is the system picking up external noise or multipath distortion?
 - Change the orientation of the antenna.
 - Move the unit away from other electrical appliances.

CASSETTE DECK SECTION

The tape does not run.

- Is deck 2 in pause mode? (→ page 13)

The sound is off-balance or not adequately high.

- Is the playback head dirty? (→ above)

Recording is not possible.

- Is the erasure prevention tab on the tape broken off? (→ page 14)
- Is the recording head dirty? (→ above)

Erasure is not possible.

- Is the erasure head dirty? (→ above)
- Is a metal tape being used?

High frequency sound is not emitted.

- Is the recording/playback head dirty? (→ above)

CD PLAYER SECTION

The CD player does not play.

- Is the disc correctly placed? (→ page 15)
- Is the disc dirty? (→ above)
- Is the lens affected by condensation?
 - Wait approximately one hour and try again.

To reset

If an unusual condition occurs in the display window or the cassette decks, reset the unit as follows.

- 1 Press **POWER** to turn off the power.
- 2 Press **POWER** to turn the power back on while pressing **■ CLEAR**. Everything stored in memory after purchase is canceled.

If the power cannot be turned off in step 1 because of a malfunction, reset by disconnecting the AC cord, and connect it again. Then carry out step 2.

SPECIFICATIONS

Main unit CX-NDS8

FM tuner section

Tuning range	87.5 MHz to 108 MHz
Usable sensitivity (IHF)	13.2 dBf
Antenna terminals	75 ohms (unbalanced)

AM tuner section

Tuning range	530 kHz to 1710 kHz (10 kHz step) 531 kHz to 1602 kHz (9 kHz step)
Usable sensitivity	350 μ V/m
Antenna	Loop antenna

Amplifier section

Mid-high frequency amplifier	Front
Power output	30 W + 30 W (200 Hz – 20 kHz, THD less than 1%, 8 ohms)
Total harmonic distortion	0.1 % (25 W, 1 kHz, 8 ohms, DIN AUDIO)
Low frequency amplifier	
Power output	90 W + 90 W (50 Hz – 200 Hz, THD less than 1%, 6 ohms)
Total harmonic distortion	0.1 % (75 W, 120 Hz, 6 ohms, DIN AUDIO)
	Rear (Surround)
	33 W + 33 W (1 kHz, THD less than 1%, 8 ohms)

Inputs

Center	34 W (1 kHz, THD less than 1%, 8 ohms)
VIDEO1/DVD/AUX:	316 mV (adjustable)
VIDEO2/LD/MD:	316 mV (adjustable)
MIC 1, MIC 2:	1 mV (10 k ohms)
DIGITAL IN	
COAXIAL (VIDEO 2)	
OPTICAL (VIDEO 1)	
	accept linear PCM signals (32 kHz, 44.1 kHz and 48 kHz) and Dolby Digital bitstream

Outputs

SPEAKERS LOW FREQ:	accept speakers of 6 ohms or more
SPEAKERS HIGH FREQ:	accept speakers of 8 ohms or more
SURROUND SPEAKERS:	accept speakers of 8 ohms to 16 ohms
CENTER SPEAKER:	accept speakers of 8 ohms or more
SUBWOOFER:	5 V
LINE OUT:	210 mV
PHONES (stereo jack):	accepts headphones of 32 ohms or more

Cassette deck section

Track format	4 tracks, 2 channels stereo
Frequency response	CrO ₂ tape: 50 Hz – 16000 Hz Normal tape: 50 Hz – 15000 Hz
Recording system	AC bias
Heads	Deck 1: Playback head \times 1 Deck 2: Recording/playback head \times 1, erase head \times 1

Compact disc player section

Laser	Semiconductor laser ($\lambda = 780$ nm)
D-A converter	1 bit dual
Signal-to-noise ratio	85 dB (1 kHz, 0 dB)
Harmonic distortion	0.05 % (1 kHz, 0 dB)
Wow and flutter	Unmeasurable

General

Power requirements	120 V AC, 60 Hz
Power consumption	225 W
Power consumption in standby mode	If the power-economizing mode is ECO OFF: 42 W If the power-economizing mode is ECO ON or ECO AUTO: 0.9 W
Dimensions (W \times H \times D)	260 \times 329 \times 389.6 mm (10 ¹ / ₄ \times 13 \times 15 ³ / ₈ in.)
Weight	12.5 kg (27 lbs 9 oz)

Speaker system SX-WNAJ86

Speaker system	3 way, built-in subwoofer (magnetic shielded type)
Speaker units	Subwoofer: 200 mm (7 ⁷ / ₈ in.) cone type Full range: 120 mm (4 ³ / ₄ in.) cone type Super tweeter: 20 mm (13/16 in.) ceramic type
Impedance	6 ohms/8 ohms
Sensitivity	87 dB/W/m
Dimensions (W \times H \times D)	240 \times 324 \times 285 mm (9 ¹ / ₂ \times 12 ⁷ / ₈ \times 11 ¹ / ₄ in.)
Weight	6.0 kg (13 lbs 4 oz)

Specifications and external appearance are subject to change without notice.

DOLBY DIGITAL/DOLBY PRO LOGIC

Manufactured under license from Dolby Laboratories. "Dolby", "Pro Logic", and the double-D symbol are trademarks of Dolby Laboratories. Confidential unpublished Works. ©1992-1997 Dolby laboratories. All rights reserved.

BBE SYSTEM

The word "BBE" and the "BBE symbol" are trademarks of BBE Sound, Inc. Under license from BBE Sound, Inc.

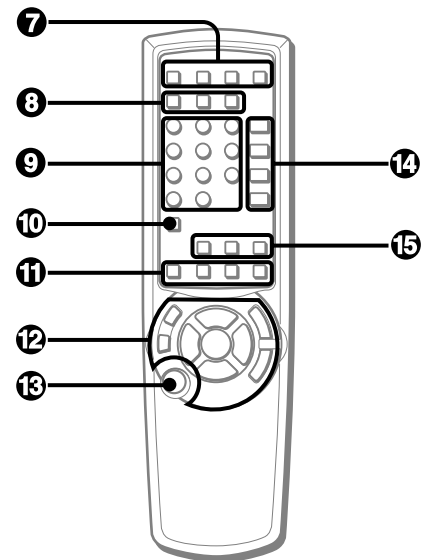
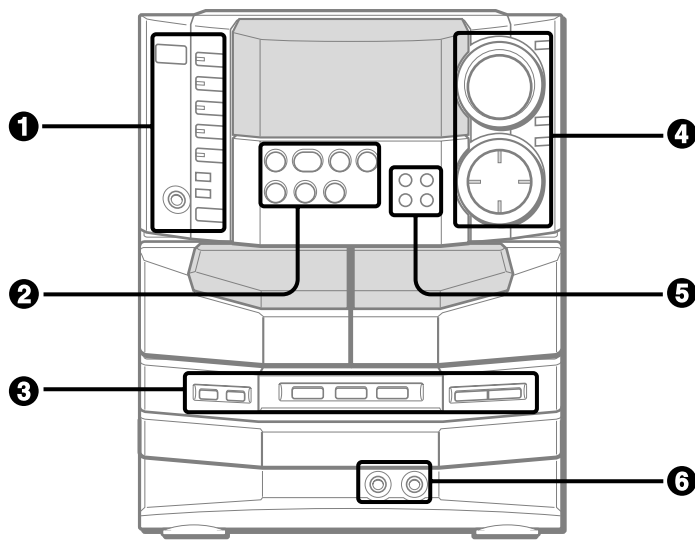
COPYRIGHT

Please check the laws on copyright relating to recordings from discs, radio or external tape for the country in which the machine is being used.

PARTS INDEX

INDICE DE LAS PARTES

NOMENCLATURE



Name/Nombre/Nom **Page/Página/Page**

1 POWER \odot STANDBY/ON	7
TAPE DECK 1/2	13
TUNER/BAND	12
VIDEO1/DVD/AUX	21,32
CD	15
VIDEO2/LD/MD	21,32
ECO	7
DEMO	27
DOLBY SURROUND	22
PHONES	10
2 \blacktriangleleft DIRECTION/PRESET	12,13,15
■ CLEAR	12,13,15,17
\blacktriangleleft /I \blacktriangleleft DOWN	12,13,15
\blacktriangleright /I \blacktriangleright UP	12,13,15
SET	12,13,15,17
SYNC DUB (NORM/HIGH)	18
● REC/REC MUTE	17
3 CD EDIT/CHECK	15,19,20
CD BLANK SKIP	16
DISC DIRECT PLAY 1-3	15
DISC CHANGE	15
▲ OPEN/CLOSE	15
4 VOLUME	8,25
MULTI JOG	7-9,11,12,15,28
DSP SURROUND	11
TIMER	28
GEQ	9
CLOCK	8
ECHO	25
MIC	25
ENTER	8,28

Name/Nombre/Nom **Page/Página/Page**

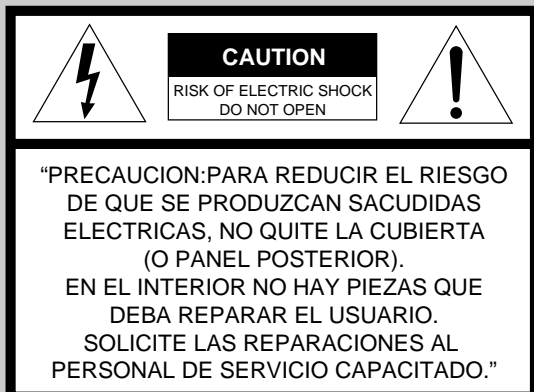
5 T-BASS/LFE	9,23
BBE	8
KARAOKE	25
REV MODE (DECK 2)	13,17
6 MIC 1, 2	25
7 TIMER	28
SLEEP	28
MONO TUNER	12
CLOCK	8
8 CD EDIT/CHECK	15,19,20
PRGM	16,27
RANDOM/REPEAT	16
9 0-9, +10	15
10 DISC DIRECT PLAY	15
11 T-BASS	9
GEQ	9
KARAOKE	25
▲ OPEN/CLOSE	15
12 \blacktriangleleft /I \blacktriangleleft DOWN	12,13,15
UP \blacktriangleright /I \blacktriangleright	12,13,15
SET	12,13,15,17
■ CLEAR	12,13,15,17
\blacktriangleright /I \blacktriangleright PRESET	6,12,13,15
VOL (∇ , \wedge)	8
● / ○ REC/REC MUTE	17
13 POWER	7
14 TAPE/DECK 1/2	13
TUNER/BAND	12
VIDEO1/DVD/AUX	32
CD	15
15 SURROUND	11
MANUAL SELECT	8,23,24
DOLBY SURROUND	22

For assistance and information

call toll free 1-800-BUY-AIWA (United States and Puerto Rico)

ADVERTENCIA

PARA REDUCIR EL RIESGO DE INCENDIOS O SACUDIDAS ELECTRICAS, NO EXPONGA ESTE APARATO A LA LLUVIA NI A LA HUMEDAD.



Explicación de los símbolos gráficos:



El símbolo del rayo con punta de flecha, en el interior de un triángulo equilátero, tiene la finalidad de avisar al usuario de la presencia de "tensiones peligrosas" sin aislar en el interior del producto que podrían ser de suficiente magnitud como para constituir un riesgo de sacudida eléctrica para las personas.



El signo de exclamación en el interior de un triángulo equilátero tiene la finalidad de avisar al usuario de la presencia de instrucciones de operación y mantenimiento (reparación) en el material impreso que acompaña al aparato.

PRECAUCIONES

Lea cuidadosa y completamente el manual de instrucciones antes de utilizar la unidad. Asegúrese de guardar el manual de instrucciones para utilizarlo como referencia en el futuro. Todas las advertencias y precauciones del manual de instrucciones y de la unidad deberán cumplirse estrictamente, así como también las sugerencias de seguridad mencionadas más abajo.

Instalación

- 1 Agua y humedad** — No utilice esta unidad cerca del agua como, por ejemplo, cerca de una bañera, una palangana, una piscina o algo similar.
- 2 Calor** — No utilice esta unidad cerca de fuentes de calor, incluyendo salidas de aire caliente, estufas u otros aparatos que generen calor.
No deberá colocarse tampoco en lugares donde la temperatura sea inferior a 5°C o superior a 35°C.
- 3 Superficie de montaje** — Ponga la unidad sobre una superficie plana y nivelada.
- 4 Ventilación** — La unidad deberá situarse donde tenga suficiente espacio libre a su alrededor, para que la ventilación apropiada quede asegurada. Deje un espacio libre de 10 cm por la parte posterior y superior de la unidad, y 5 cm por cada lado.
 - No ponga la unidad sobre una cama, una alfombra o superficies similares que podrían tapan las aberturas de ventilación.
 - No instale la unidad en una librería, mueble o estantería cerrada herméticamente donde la ventilación no sea adecuada.
- 5 Entrada de objetos y líquidos** — Tenga cuidado de que objetos y líquidos no entren en la unidad por las aberturas de ventilación.
- 6 Carros de mano y soportes** — Cuando ponga o monte la unidad en un soporte o carro de mano, ésta deberá moverse con mucho cuidado.
Las paradas repentinas, la fuerza excesiva y las superficies irregulares pueden hacer que la unidad o el carro de mano se dé vuelta o se caiga.
- 7 Condensación** — En la lente del fonocaptor del reproductor de discos compactos tal vez se forme condensación cuando:
 - La unidad se pase de un lugar frío a uno caliente.
 - El sistema de calefacción se acabe de encender.
 - La unidad se utilice en una habitación muy húmeda.
 - La unidad se enfríe mediante un acondicionador de aire.
 Esta unidad tal vez funcione mal cuando tenga condensación en su interior. En este caso, deje en reposo la unidad durante unas pocas horas y repita de nuevo la operación.
- 8 Montaje en pared o techo** — La unidad no se deberá montar en una pared ni en el techo, a menos que se especifique lo contrario en el manual de instrucciones.



Energía eléctrica

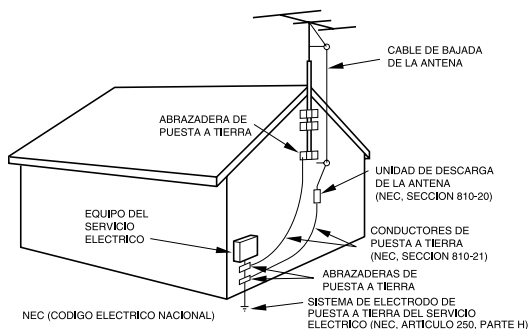
- 1 Fuentes de alimentación** — Conecte solamente esta unidad a las fuentes de alimentación especificadas en el manual de instrucciones, y como está marcado en la unidad.
- 2 Polarización** — Como característica de seguridad, algunas unidades están equipadas con clavijas de alimentación de CA polarizadas, las cuales sólo se pueden insertar de una forma en las tomas de corriente. Si resulta difícil o imposible insertar la clavija de alimentación de CA en una toma de corriente, dé vuelta a la clavija e inténtelo de nuevo. Si sigue sin poder insertar fácilmente la clavija en la toma de corriente, llame a un electricista cualificado para que modifique o reemplace la toma de corriente. Para evitar anular la característica de seguridad de la clavija polarizada, no la inserte a la fuerza en una toma de corriente.
- 3 Cable de alimentación de CA**
 - Cuando desconecte el cable de alimentación de CA, sujete la clavija de alimentación de CA y tire de ella. No tire del propio cable.
 - Nunca maneje la clavija de alimentación de CA con las manos mojadas porque podría producirse un incendio o una sacudida eléctrica.
 - Los cables de alimentación deberán colocarse de forma que no sean doblados excesivamente, pellizcados o pisados. Tenga mucho cuidado con el cable que va de la unidad a la toma de corriente.
 - Evite sobrecargar las tomas de CA y los cables de extensión más allá de su capacidad porque esto podría causar un incendio o una sacudida eléctrica.

- 4 Cable de extensión** — Para evitar sacudidas eléctricas, no utilice la clavija de alimentación de CA polarizada con un cable de extensión, ni tampoco en un receptáculo u otra toma de corriente a menos que la clavija polarizada pueda insertarse completamente evitando que sus patillas queden expuestas.
- 5 Periodos de no utilización** — Desenchufe el cable de alimentación de CA de la toma de corriente si la unidad no va a ser utilizada durante varios meses o más. Cuando el cable de alimentación esté conectado, por la unidad continuará circulando una pequeña cantidad de corriente, aunque la alimentación esté desconectada.

Antena exterior

- 1 Líneas de alta tensión** — Cuando conecte una antena exterior, asegúrese de colocarla lejos de las líneas de alta tensión.
- 2 Conexión a tierra de la antena exterior** — Asegúrese de que el sistema de la antena esté conectado correctamente a tierra para proporcionar así una protección contra el exceso inesperado de tensión o contra la acumulación de electricidad estática. El artículo 810 del Código Eléctrico Nacional, ANSI/NFPA70, proporciona información acerca de la puesta a tierra apropiada del mástil de la antena, la estructura de apoyo y el cable de bajada a la unidad de descarga de la antena, así como también del tamaño de la unidad de puesta a tierra, la conexión de los terminales de puesta a tierra y los requisitos para conectar a tierra los mismos terminales.

Puesta a tierra de la antena según el Código Eléctrico Nacional



Mantenimiento

Limpie la unidad sólo como se recomienda en el manual de instrucciones.

Daños que necesitan ser reparados

Haga que un técnico en reparaciones cualificado le repare las unidades si:

- El cable de alimentación de CA o su clavija está estropeado.
- Objetos extraños o líquidos han entrado en la unidad.
- La unidad ha estado expuesta a la lluvia o al agua.
- La unidad no parece funcionar normalmente.
- La unidad muestra un cambio considerable en sus prestaciones.
- La unidad se ha caído o la caja se ha estropeado.

NO TRATE DE REPARAR LA UNIDAD USTED MISMO.

Compruebe su sistema y los accesorios

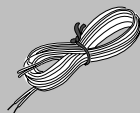
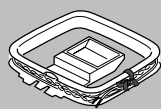
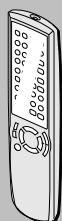
NSX-DS8

CX-NDS8 Sintonizador, amplificador, platina de casete y reproductor de discos compactos estéreo
 SX-WNAJ86 Altavoces delanteros
 SX-R275 Altavoces de sonido ambiental
 SX-C605 Altavoces central

Control remoto

Antena de AM

Antena de FM



INDICE

PRECAUCIONES 2

PREPARATIVOS

CONEXIONES 4
 CONTROL REMOTO 6
 ANTES DE LA OPERACION 7
 PUESTA EN HORA DEL RELOJ 8

SONIDO

AJUSTES DE AUDIO 8
 ECUALIZADOR GRAFICO 9
 DSP SURROUND 11

RECEPCION DE LA RADIO

SINTONIZACION MANUAL 12
 PREAJUSTE DE EMISORAS 12

REPRODUCCION DE CINTAS

OPERACIONES BASICAS 13
 REPRODUCCION CONTINUA 14

REPRODUCCION DE DISCOS COMPACTOS

OPERACIONES BASICAS 15
 REPRODUCCION PROGRAMADA 16

GRABACION

GRABACION BASICA 17
 COPIADO MANUAL DE UNA CINTA 18
 COPIADO DE TODA LA CINTA 18
 GRABACION CON EDICION AI 19
 GRABACION CON EDICION PROGRAMADA 20

DOLBY SURROUND

REPRODUCCION DEL SONIDO DOLBY SURROUND .. 21
 EQUILIBRIO DEL NIVEL DE LOS ALTAVOCES Y OTROS AJUSTES 23

KARAOKE

MEZCLA MICROFONICA 25
 PROGRAMA DE KARAOKE 27

TEMPORIZADOR

AJUSTE DEL TEMPORIZADOR PARA DORMIR 28
 AJUSTE DEL TEMPORIZADOR 28

OTRAS CARACTRISTICAS

DEMO (Demonstración) 30

OTRAS CONEXIONES

CONEXION DE UN EQUIPO OPCIONAL 31
 ESCUCHA DE FUENTES DE SONIDO EXTERNAS 32

GENERALIDADES

CUIDADOS Y MANTENIMIENTO 33
 GUIA PARA LA SOLUCION DE PROBLEMAS 33
 ESPECIFICACIONES 34

INDICE DE LAS PARTES *Cubierta trasera*

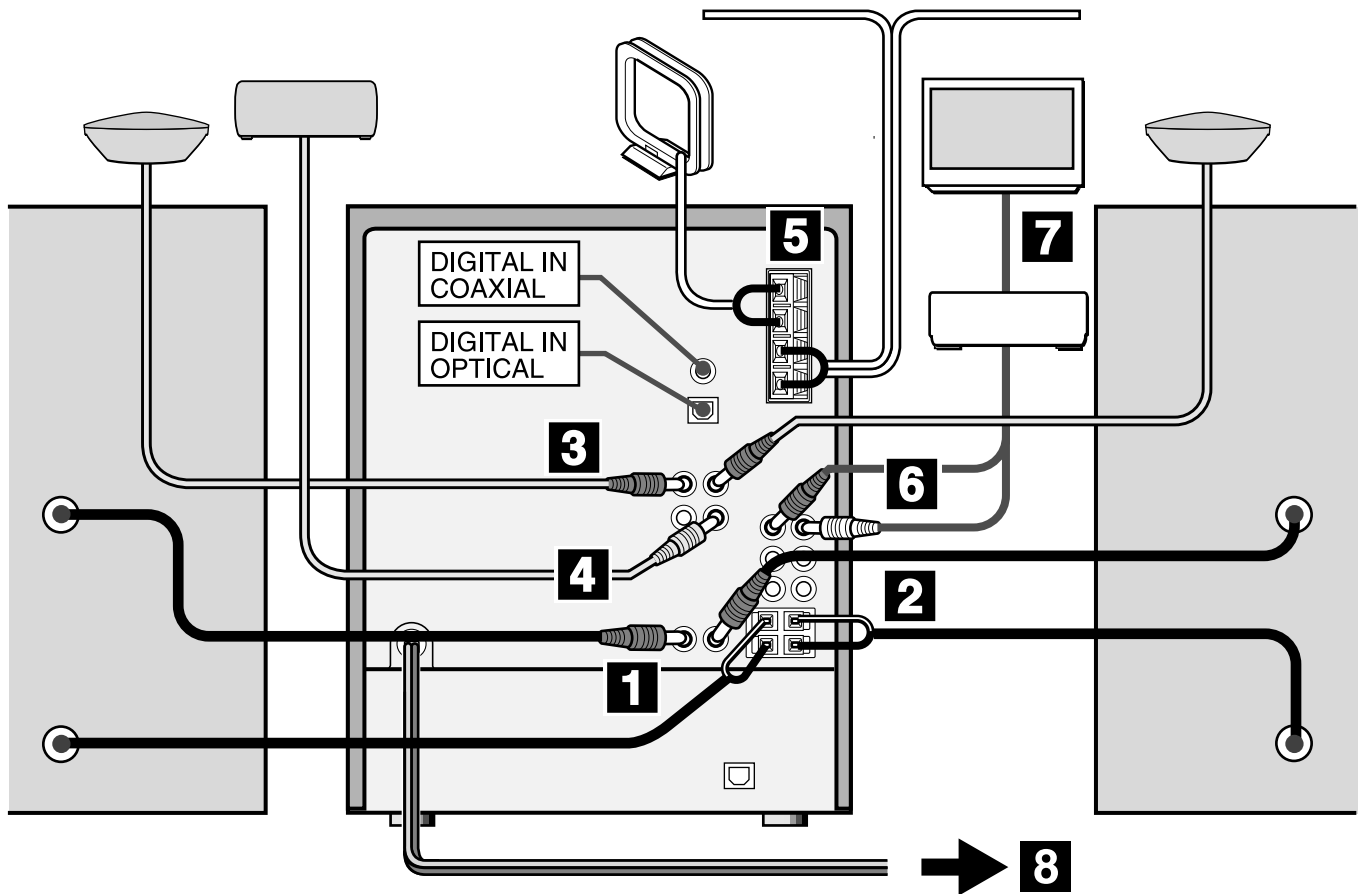
CONEXIONES

Antes de conectar el cable de CA

La tensión nominal de su unidad, mostrada en el panel trasero, es de 120 V CA. Compruebe que esta tensión nominal concuerde con la tensión de su localidad.

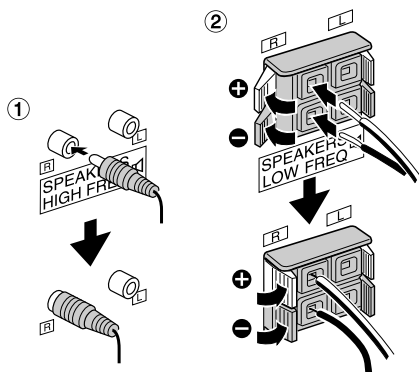
IMPORTANTE

Conecte primero los altavoces, las antenas y todos los demás equipos opcionales. Luego conecte el cable de CA.



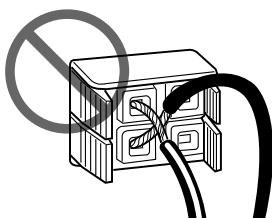
1 Conecte el altavoz derecho a la unidad principal.

- ① Conecte el cable de altavoz con la clavija al terminal **SPEAKERS HIGH FREQ R**.
- ② Conecte el cable de altavoz con franja blanca al terminal **SPEAKERS LOW FREQ R** (+) y el cable negro al terminal (-).



NOTA

• Asegúrese de conectar correctamente los cables de los altavoces. Las conexiones mal hechas podrían causar cortocircuitos en los terminales **SPEAKERS**.

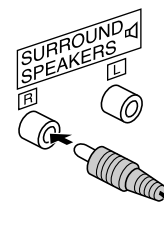


2 Conecte el altavoz izquierdo a la unidad principal.

Conecte el cable de altavoz con clavija al terminal **SPEAKERS HIGH FREQ L**, y el otro cable de altavoz a los terminales **SPEAKERS LOW FREQ L**, de la misma forma que en el paso 1.

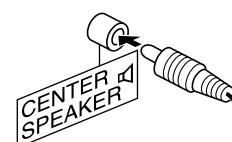
3 Conecte los altavoces de sonido ambiental.

Conecte los cables de los altavoces de sonido ambiental a los terminales **SURROUND SPEAKERS**.



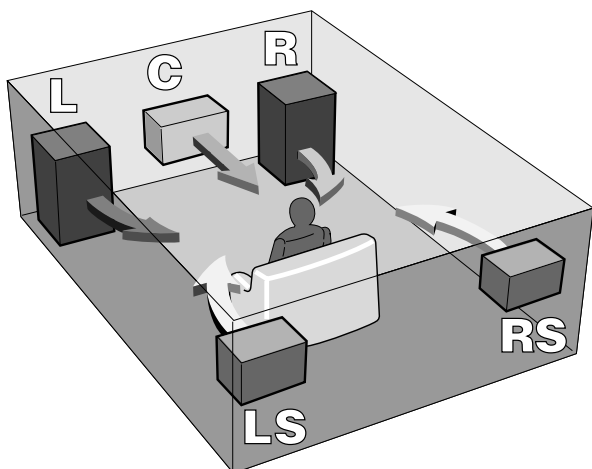
4 Conecte el altavoz central.

Conecte el cable del altavoz central al terminal **CENTER SPEAKER**.



UBICACION DE LOS ALTAVOCES

Para obtener los efectos óptimos que proporciona el sistema Dolby Digital o Dolby Pro Logic, resulta muy importante ubicar correctamente los altavoces. Consulte la ilustración siguiente para encontrar la mejor posición en su habitación.



L&R: Altavoces delanteros

C: Altavoz central

Póngalo en medio de los dos altavoces delanteros. Además, si conecta un televisor a la unidad, ponga este altavoz encima o debajo del televisor.

LS&RS: Altavoces de sonido ambiental

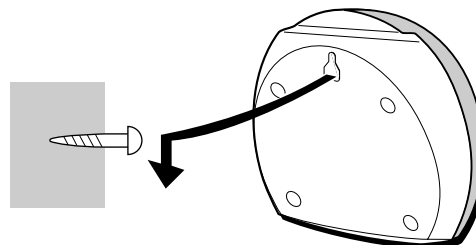
Ponga los altavoces de sonido ambiental directamente a los lados o un poco por detrás de la zona de escucha. Alineelos horizontalmente, a 1 metro aproximadamente por encima de la altura de los oídos.

NOTA

La salida de sonido del altavoz central y de los altavoces de sonido ambiental sólo se encontrará disponible cuando esté activado con el ajuste apropiado el sistema Dolby Digital, el sistema Dolby Pro Logic o el sistema DSP Surround.

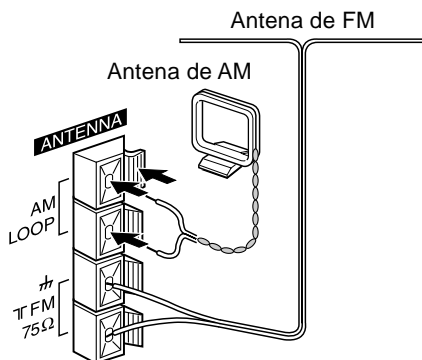
Para montar los altavoces de sonido ambiental en la pared

Monte cada altavoz en un lugar que pueda aguantar su peso.



5 Conecte las antenas suministradas.

Conecte la antena de FM a los terminales **FM 75 Ω** y la de AM a los terminales **AM LOOP**.



6 Conecte su equipo de vídeo (reproductor DVD, reproductor LD, reproductor de cintas de vídeo, etc.).

Si su equipo de vídeo tiene una toma OPTICAL OUT:

Conecte las tomas AUDIO OUT del equipo de vídeo a las tomas **VIDEO1/DVD/AUX** de esta unidad empleando un cable de conexión de audio opcional con clavijas fono RCA (clavija roja a la toma R y clavija blanca a la toma L). Conecte la toma OPTICAL OUT a la toma **DIGITAL IN OPTICAL (VIDEO 1)** de esta unidad empleando un cable de conexión óptica opcional.

Si su equipo de vídeo tiene una toma COAXIAL OUT:

Conecte las tomas AUDIO OUT del equipo de vídeo a las tomas **VIDEO2/LD/MD** de esta unidad empleando un cable de conexión de audio opcional con clavijas fono RCA (clavija roja a la toma R y clavija blanca a la toma L). Conecte la toma COAXIAL OUT a la toma **DIGITAL IN COAXIAL (VIDEO 2)** de esta unidad empleando un cable de conexión coaxial opcional.

NOTA

- La entrada a la toma **DIGITAL IN OPTICAL** se selecciona con el botón **VIDEO1/DVD/AUX**, mientras que la entrada a la toma **DIGITAL IN COAXIAL** se selecciona con el botón **VIDEO2/LD/MD** (consulte "Escucha de un equipo exterior", página 32). La conexión analógica deberá realizarse por lo tanto a las tomas de entrada con los nombres correspondientes, dependiendo del tipo de conexión digital, como se ha descrito anteriormente. La ilustración muestra la conexión a las tomas **VIDEO1/DVD/AUX**.
- Si su equipo de vídeo tiene tomas OPTICAL y COAXIAL OUT, elija una de ellas.
- Cuando conecte un reproductor LD a través de su toma AC-3 RF OUT, utilice un desmodulador de RF para separar las señales de vídeo analógicas y las señales de audio digitales. Consulte el manual de instrucciones del reproductor LD.

Si su equipo de vídeo no tiene una toma de salida digital:

Conecte las tomas AUDIO OUT del equipo de vídeo a las tomas **VIDEO1/DVD/AUX** de esta unidad empleando un cable de conexión de audio opcional con clavijas fono RCA (clavija roja a la toma R, clavija blanca a la toma L).

7 Conecte el televisor al equipo de vídeo.

Consulte el manual de instrucciones del equipo conectado para tener más detalles.

8 Conecte el cable de CA a una toma de CA.

La DEMO empezará cuando el cable de CA se enchufe en una toma de CA por primera vez. Para desactivar la DEMO, ponga en hora el reloj.

NOTA

- No deje objetos que generen magnetismo, tales como tarjetas de crédito, cerca de los altavoces porque podrían estropearse.
- No ponga la antena de FM cerca de objetos metálicos o rieles de cortinas.
- No ponga la antena de AM cerca de equipos opcionales, el propio sistema estéreo, el cable de alimentación de CA o los cables de los altavoces, porque se captarán ruidos.
- No desbobine el cable de la antena de AM.

Para posicionar las antenas

Antena de FM:

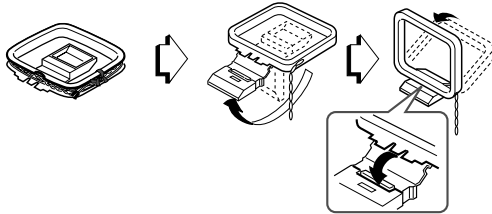
Extienda horizontalmente esta antena formando una T y fije sus extremos en la pared.

Antena de AM:

Coloque y gire esta antena para encontrar la mejor recepción posible.

Para poner la antena de AM en posición vertical sobre una superficie

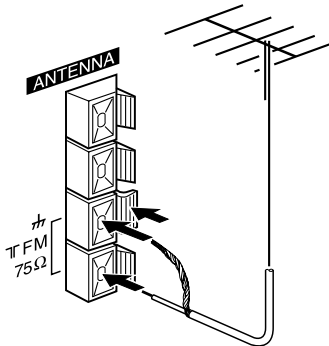
Fije el gancho en la ranura.



CONEXION DE UNA ANTENA EXTERIOR

Para obtener la mejor recepción de FM se recomienda utilizar una antena exterior.

Conecte la antena exterior a los terminales **FM 75 Ω**.

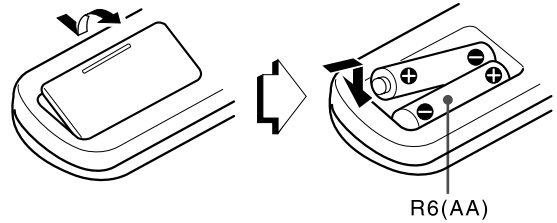


Para conectar otro equipo opcional → página 31.

CONTROL REMOTO

Inserción de las pilas

Quite la tapa de las pilas, ubicada en la parte trasera del control remoto, e inserte dos pilas R6 (tamaño AA).



Cuándo reemplazar las pilas

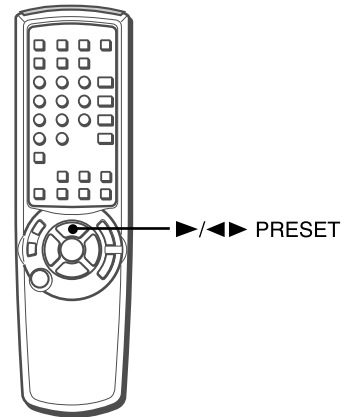
La distancia máxima de operación entre el control remoto y el sensor de la unidad principal deberá ser de 5 metros aproximadamente. Cuando disminuya esta distancia, reemplace las pilas por otras nuevas.

Utilización del control remoto

Las instrucciones descritas en este manual se refieren principalmente a los botones de la unidad principal. Los botones del control remoto con los mismos nombres pueden usarse de la misma manera que los de la unidad principal.

▶/◀▶ PRESET en el control remoto

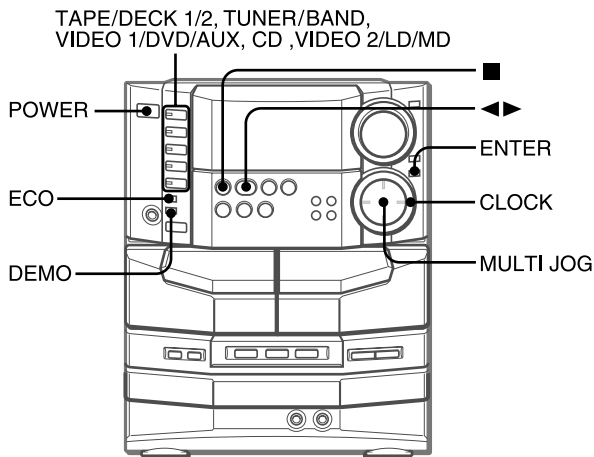
La función es la misma que la de ◀▶ de la unidad principal.



NOTA

- Si el control remoto no va a ser utilizado durante mucho tiempo, quite las pilas para evitar posibles fugas de electrolito.
- El control remoto quizá no funcione correctamente cuando:
 - La línea de visión entre el control remoto y el sensor de señales del interior del visualizador esté expuesta a una luz intensa como, por ejemplo, la luz del sol.
 - Otros controles remotos (los de un televisor, etc.) estén siendo utilizados cerca de esta unidad.

ANTES DE LA OPERACION



Para conectar la alimentación

Pulse uno de los botones de función (**TAPE/DECK 1/2, TUNER/BAND, VIDEO1/DVD/AUX, CD, VIDEO2/LD/MD**). La reproducción de la cinta o del disco insertado empezará o se recibirá la emisora previamente sintonizada (función de reproducción directa).

También podrá utilizarse **POWER**.

NOTA

Cuando se conecte la alimentación, el compartimento de los discos tal vez se abra o se cierre para reponer la unidad.

Para desconectar la alimentación

Pulse **POWER**.

DEMO (Demostración)

Cuando el cable de CA se enchufe a una toma de CA por primera vez tras la compra de la unidad, la DEMO empezará en el visualizador. Cuando se conecte la alimentación, la DEMO terminará. Cuando se desconecte la alimentación, la DEMO empezará de nuevo.

Cuando la hora esté puesta en el reloj, la DEMO no empezará aunque se desconecte la alimentación.

Para desactivar o activar la DEMO

Pulse repetidamente **DEMO**.

(Para más detalles acerca de la DEMO, consulte la página 30.)

ACTIVACION DEL MODO DE AHORRO DE ENERGIA

Cuando ponga el modo de ahorro de energía en "ECO ON" o "ECO AUTO", la unidad reducirá el consumo de energía realizando las cuatro operaciones **ECO** indicadas a continuación.

ECO ON

- La unidad (toda la iluminación del visualizador y los botones) se apagará cuando se desconecte la alimentación. Sólo se encenderá el indicador rojo.
- Si se selecciona DIMMER (1-3), la iluminación del visualizador y los botones se encenderá sólo durante 10 segundos cuando se pulse un botón o se gire **VOLUME** o **MULTI JOG**.
- La visualización del modo de intensidad de iluminación del visualizador se pone al mínimo, la iluminación de los botones se apaga, y el volumen se ajusta al mínimo (0) cuando la unidad se enciende mediante la función de grabación con temporizador.

ECO AUTO

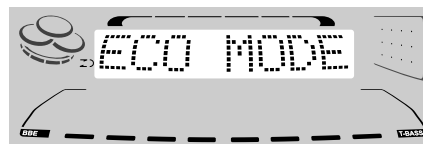
- Además de las tres operaciones de ECO ON, la unidad se apagará automáticamente si usted no la utiliza y la fuente de sonido se mantiene en silencio durante 10 minutos, excepto cuando se selecciona una entrada digital exterior.

ECO OFF

El modo de ahorro de energía no funciona.

1 Pulse ECO.

Se visualizará "ECO MODE".

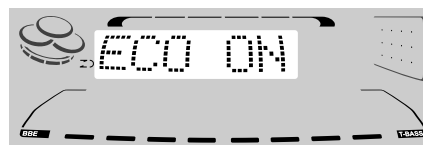


2 Pulse ENTER antes de que pasen 4 segundos.

Se visualizará el estado del modo de ahorro de energía actual.

3 Gire MULTI JOG antes de que pasen 4 segundos para seleccionar uno de los modos de ahorro de energía.

Ejemplo: Cuando se seleccione "ECO ON".



4 Pulse ENTER antes de que pasen 4 segundos.

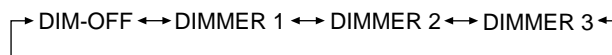
NOTA

Si el reloj no está puesto en hora, la unidad no se apagará. En su lugar, la DEMO empezará cuando se desconecte la alimentación.

MODO DE INTENSIDAD DE ILUMINACION

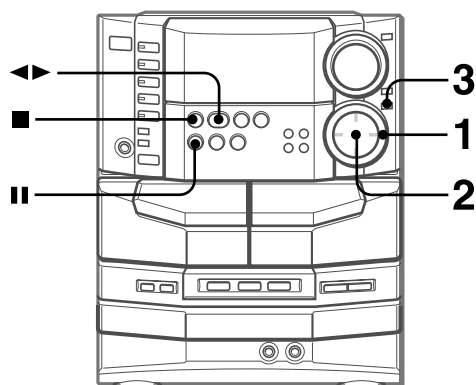
Para cambiar el modo de intensidad de iluminación del visualizador

- 1 Pulse repetidamente **ECO** hasta que se visualice "DIM MODE".
- 2 Pulse **ENTER** antes de que pasen 4 segundos.
- 3 Antes de que pasen 4 segundos, gire **MULTI JOG** para seleccionar uno de los modos de intensidad de iluminación cambiados cíclicamente de la forma mostrada a continuación.
- 4 Pulse **ENTER** antes de que pasen 4 segundos.



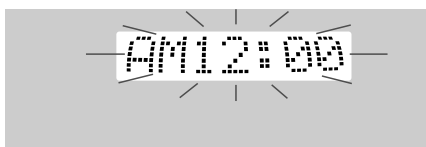
El modo "DIM-OFF" es el más brillante, y el modo "DIMMER 3" es el menos brillante. Además, en el modo "DIMMER 3", el analizador de espectro y la iluminación de los botones se apagan.

PUESTA EN HORA DEL RELOJ



1 Pulse CLOCK.

El reloj se visualiza. (":" entre las horas y los minutos parpadeará.)



2 Antes de que pasen 4 segundos, gire MULTI JOG para designar la hora y los minutos.

Al girar **MULTI JOG** cambian la hora y los minutos. En lugar de **MULTI JOG** también puede utilizarse ◀◀ o ▶▶. La hora cambiará rápidamente manteniendo pulsados estos botones.

3 Pulse ENTER o ■.

El reloj empieza a funcionar desde 00 segundos.

Para reponer el ajuste original del reloj

Pulse **CLOCK** antes de completar el paso 3 para reponer el ajuste anterior de la hora. Esto cancelará cualquier nuevo ajuste.

Para ver el reloj habiendo otra visualización en el visualizador

Pulse **CLOCK**. La hora se visualizará durante 4 segundos y luego volverá a aparecer la visualización original. Sin embargo, el reloj no podrá visualizarse durante la grabación.

Para cambiar al modo de 24 horas

Pulse **CLOCK** y luego pulse ■ antes de que pasen 4 segundos. Repita el mismo procedimiento para reponer el modo de 12 horas.

En el modo estándar de 12 horas, "AM 12:00" indica la medianoche y "PM 12:00" indica el mediodía.

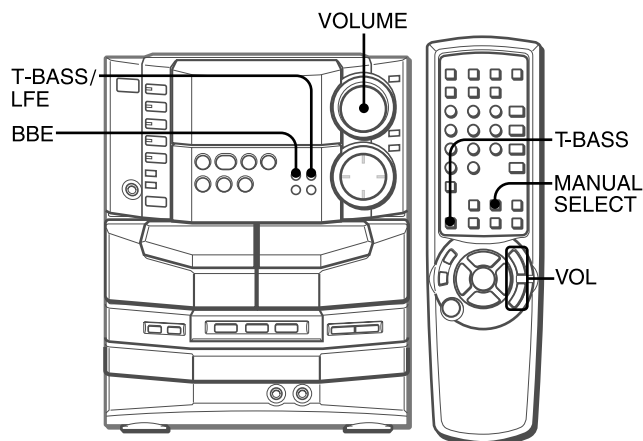
Si parpadea la visualización del reloj

Si parpadea la visualización cuando se visualiza el reloj, esto indica que el reloj se ha parado debido a un fallo en la alimentación o a la desconexión del cable de alimentación. La hora actual necesita reponerse.

NOTA

Si el modo de ahorro de energía (página 7) está activado, la unidad se apagará cuando se desconecte la alimentación. Para ver el reloj, pulse **CLOCK** para visualizar la hora durante 4 segundos.

AJUSTES DE AUDIO



CONTROL DE VOLUMEN

Gire **VOLUME** de la unidad principal o pulse **VOL** del control remoto.

El nivel de sonido se visualiza como un número del 0 a MAX (50).

El nivel de sonido se ajusta automáticamente a 20 cuando se desconecta la alimentación estando el nivel de sonido ajustado en 21 o más.

Para cambiar el equilibrio de los canales derecho/izquierdo

Pulse **MANUAL SELECT** del control remoto. "L/R" se visualizará durante 4 segundos. Pulse ◀◀ **DOWN** o ▶▶ **UP** del control remoto antes de que pasen estos 4 segundos.

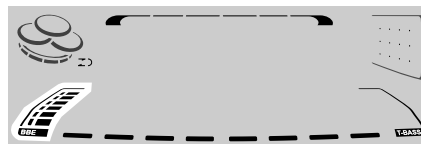
- El nivel de los altavoces delanteros para los sistemas Dolby Digital, Dolby Pro Logic y DSP Surround cambia también.

SISTEMA BBE

El sistema BBE realza la claridad del sonido de alta frecuencia. También mejora la función Karaoke para que su voz suene más clara y agradable.

Pulse BBE.

Cada vez que lo pulse, el nivel cambiará. Seleccione uno de los tres niveles o la posición de apagado, lo que usted prefiera.



NOTA

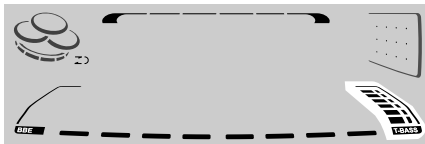
- Cuando reproduzca una cinta grabada con BBE, desactive BBE para evitar que se distorsione el sonido de alta frecuencia.
- El sistema BBE no podrá activarse cuando esté seleccionada la entrada digital o cuando esté activado Dolby Pro Logic (se visualizará "Can't USE"). Si se realiza una de estas operaciones estando activado el sistema BBE, éste se cancelará automáticamente.

SISTEMA SUPER T-BASS

El sistema T-BASS realza el realismo del sonido de baja frecuencia.

Pulse T-BASS/LFE en la unidad principal o T-BASS en el control remoto.

Cada vez que lo pulse, el nivel cambiará. Seleccione uno de los tres niveles o la posición de apagado, lo que usted prefiera.



NOTA

El sonido de baja frecuencia tal vez se distorsione cuando se utilice el sistema T-BASS con un disco o una cinta cuyo sonido de baja frecuencia haya sido realzado originalmente. En este caso, cancele el sistema T-BASS.

ECUALIZADOR GRAFICO

SELECCION DE LA CURVA DE ECUALIZACION PROGRAMADA

Esta unidad ofrece las 5 curvas de ecualización diferentes siguientes:

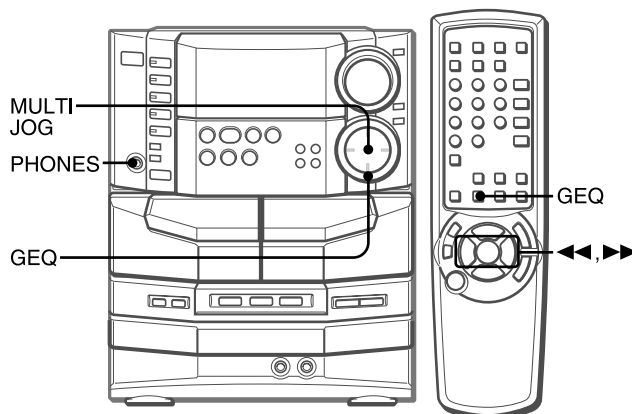
ROCK: Sonido potente que realza los agudos y los graves.

POP: Más presencia en las voces y en la gama de registro medio.

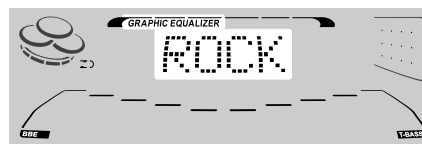
LATIN: Frecuencias más altas acentuadas para música latina.

CLASSIC: Sonido enriquecido con graves profundos y agudos finos.

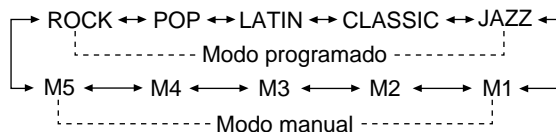
JAZZ: Frecuencias bajas acentuadas para música tipo jazz.



Pulse GEQ, y antes de que pasen 4 segundos gire MULTI JOG para seleccionar una de las curvas de ecualización programadas.



“GRAPHIC EQUALIZER” aparece y el modo GEQ se visualiza cíclicamente de la forma siguiente:



Para visualizar el modo GEQ actual

Pulse **GEQ**. El modo actual se visualiza durante 4 segundos.

Para cancelar el modo seleccionado

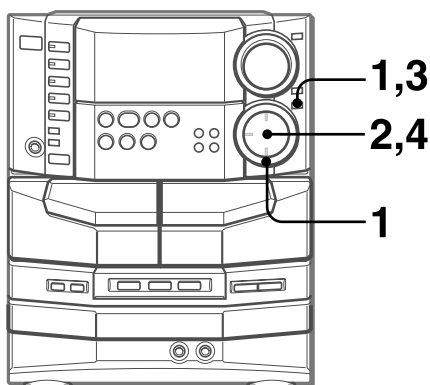
Pulse dos veces **GEQ**.

“GEQ OFF” aparece y “GRAPHIC EQUALIZER” desaparece.

Para seleccionar con el control remoto

Pulse **GEQ** y antes de que pasen 4 segundos, pulse repetidamente **◀◀** o **▶▶**. El modo GEQ se visualiza cíclicamente de la forma indicada arriba.

AJUSTE MANUAL DE UNA CURVA DE ECUALIZACION NUEVA

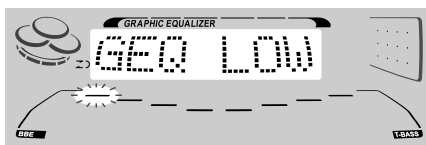


La curva de ecualización puede personalizarse según sus preferencias.

1 Pulse **GEQ**, seguido de **ENTER** antes de que pasen 4 segundos.

Su ajuste personalizado se basará en la curva actualmente seleccionada. Para seleccionar una curva diferente y personalizarla, gire **MULTI JOG** antes de pulsar **ENTER**. La visualización cambiará para visualizar "GEQ LOW."

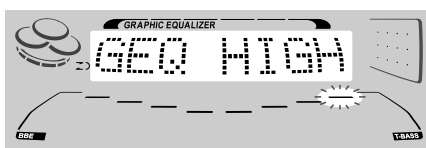
2 Antes de que pasen 8 segundos, gire **MULTI JOG** para ajustar el nivel de la frecuencia más baja.



3 Pulse **ENTER** para que se muestre "GEQ HIGH".

El indicador del nivel de la frecuencia más alta parpadea durante 8 segundos.

4 Antes de que pasen 8 segundos, gire **MULTI JOG** para ajustar el nivel de la frecuencia más alta.



Los indicadores de nivel de frecuencia entre la más baja y la más alta se ajustan en conformidad.

NOTA

Si no almacena su curva de ecualización personalizada, ésta se perderá cuando usted cambie a una curva diferente o pulse **GEQ**. Para almacenar una curva nueva, consulte a continuación.

Utilización de auriculares

Conecte auriculares con clavija estéreo estándar de 6,3 mm \varnothing a la toma **PHONES**.

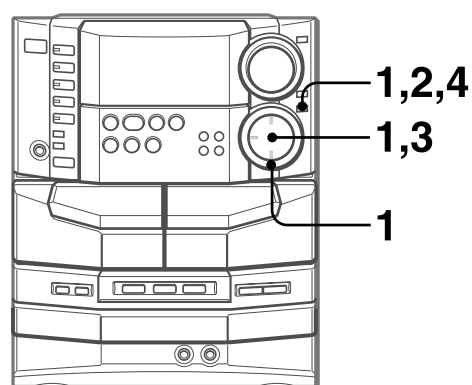
Mientras los auriculares estén conectados no saldrá sonido de los altavoces.

- Cuando los auriculares estén enchufados, el sistema DSP Surround o Dolby Pro Logic se cancelará. El sistema Dolby Digital cambiará al modo 2ch STEREO.

Ajuste de sonido durante la grabación

El control **VOLUME** no afecta a la grabación, mientras que **BBE** sí afecta a la grabación.

ALMACENAMIENTO DE CURVAS DE ECUALIZACION NUEVAS



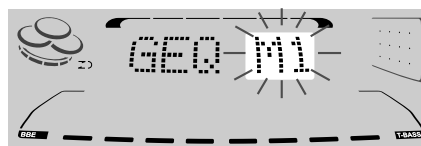
Se puede almacenar un máximo de 5 curvas de ecualización personalizadas como modos manuales M1 - M5.

1 Siga los pasos 1-4 de "Ajuste manual de una curva de ecualización nueva".

La curva creada se visualizará durante 8 segundos.

2 Pulse **ENTER** antes de que pasen 8 segundos.

"M1" parpadeará en el visualizador durante 8 segundos.



- Si este paso no se completa antes de que pasen 8 segundos, pulse primero **GEQ** para visualizar "GEQ ON". Luego, antes de que pasen 4 segundos, pulse repetidamente **ENTER** hasta que parpadee "M1".

3 Gire **MULTI JOG** antes de que pasen 8 segundos para seleccionar uno de los modos manuales M1 - M5 donde almacenar la curva.

4 Pulse **ENTER** antes de que pasen 8 segundos.

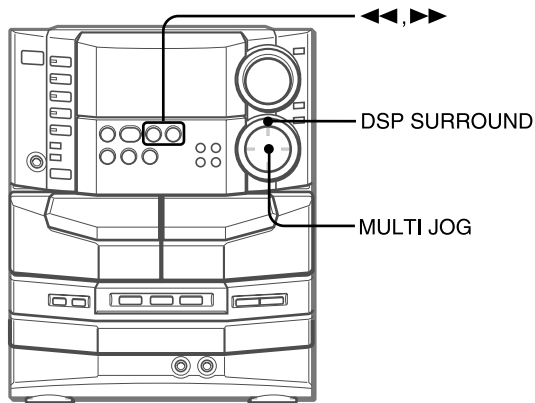
La nueva curva de ecualización se almacena.

Para seleccionar la curva de ecualización almacenada Pulse **GEQ**, y antes de que pasen 4 segundos gire **MULTI JOG** para seleccionar uno de los modos manuales M1 - M5.

DSP SURROUND

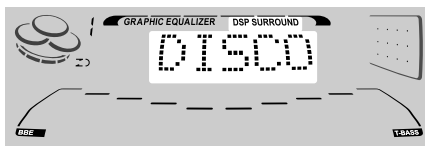
El DSP (Procesador de Señal Digital) SURROUND ajusta el tiempo de retardo, el modo de entrada y el nivel de realimentación para ofrecer un sonido ambiental resonante que le permite disfrutar de la presencia real del sonido de diferentes ambientes. Esta unidad ha sido programada con 5 modos DSP SURROUND diferentes.

SELECCION DE UN MODO DSP SURROUND PROGRAMADO

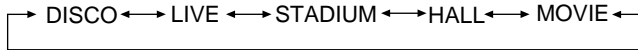


Cinco modos de DSP SURROUND ofrecen la presencia de sonido que usted notaría en una discoteca (DISCO), en un concierto en directo (LIVE), en un estadio (STADIUM), en una sala de conciertos (HALL) o en un cine (MOVIE). (En paréntesis se muestran las indicaciones que aparecen en el visualizador.)

Pulse DSP SURROUND, y antes de que pasen 4 segundos gire MULTI JOG o pulse repetidamente ◀◀ o ▶▶ para seleccionar el modo programado deseado.



"DSP SURROUND" aparece y el modo DSP SURROUND se visualiza cíclicamente de la forma siguiente:



Las curvas de equalización se seleccionan automáticamente para que concuerden con los modos DSP SURROUND, y también pueden seleccionarse o desactivarse manualmente según sus preferencias.

Para visualizar el modo DSP SURROUND actual
Pulse **DSP SURROUND**. El modo actual se visualizará durante unos 4 segundos.

Para cancelar el modo seleccionado
Pulse dos veces **DSP SURROUND**. Aparece "DSP OFF" y desaparece "DSP SURROUND".

Cuando la fuente musical sea mono
Seleccione "LIVE", "STADIUM" o "MOVIE" para obtener un efecto estéreo simulado.
Cuando se seleccione "DISCO" o "HALL" no se oirá sonido procedente de los altavoces de sonido ambiental.

Para ajustar el volumen de los altavoces de sonido ambiental
Pulse dos o tres veces **MANUAL SELECT** en el control remoto mientras está activado DSP Surround.
"SUR" se visualizan durante 4 segundos. Pulse ◀◀ **DOWN** o ▶▶ **UP** en el control remoto antes de que pasen 4 segundos.

NOTA

- El modo DSP SURROUND se cancela cuando:
- se cambia el nivel de ECHO o MIC.
 - Se activa Dolby Digital o Dolby Pro Logic.
 - Los auriculares están enchufados.
 - DIGITAL (Dolby Digital) está encendido (excepto 2ch ST).

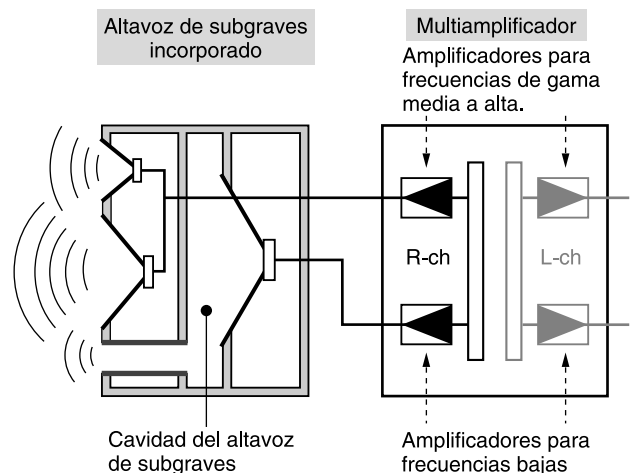
Sistema multiamplificador

Para reforzar las frecuencias ultrabajas, además del amplificador de 2 canales, derecho e izquierdo, utilizado para reproducir las frecuencias medias a altas, este sistema incorpora un segundo amplificador de 2 canales, derecho e izquierdo, sólo para la reproducción de las frecuencias ultrabajas. Utilizando amplificadores discretos para las frecuencias medias a altas y para las frecuencias bajas, se puede obtener una reproducción de sonido de alta calidad que está virtualmente exento de distorsión.

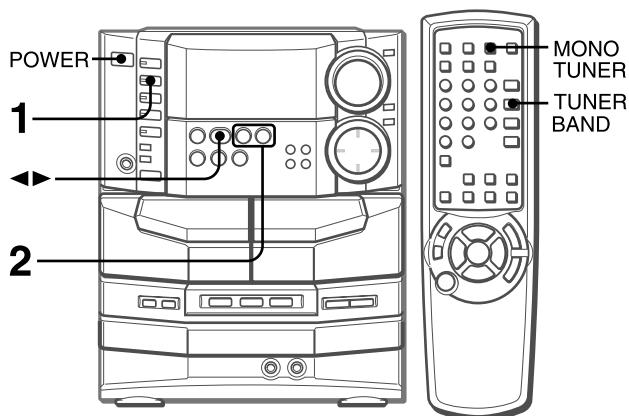
Este sistema multiamplificador, que utiliza circuitos independientes para las diferentes gamas de frecuencia, permite una excelente reproducción de sonido libre de distorsión.

Sistema de altavoz de subgraves incorporado

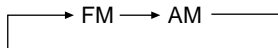
El sistema de altavoz de subgraves incorporado tiene una cavidad de altavoz de subgraves separada que forma parte de la estructura de la caja del altavoz, y que actúa como filtro sónico para cortar los componentes de distorsión. (En el sistema de multiamplificador, las señales de frecuencia ultrabaja transmitidas desde su propio amplificador independiente se reproducen en esta área.) Esta construcción separada ofrece una definición rica y clara para la reproducción de graves, y puede reproducir señales de frecuencia media a alta claras y bien definidas. El sistema de altavoz de subgraves AIWA incorporado incluye un altavoz de subgraves capaz de reproducir graves potentes y satisfactorios con una verdadera separación estéreo.



SINTONIZACION MANUAL



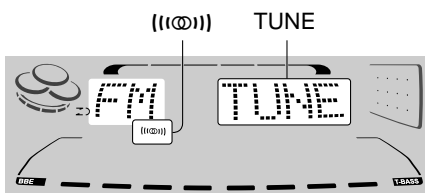
1 Pulse repetidamente **TUNER/BAND** para seleccionar la banda deseada.



Cuando se pulse **TUNER/BAND** mientras la alimentación esté desconectada, la alimentación se conectará directamente.

2 Pulse **◀◀ DOWN** o **▶▶ UP** para seleccionar una emisora.

Cada vez que pulse el botón, la frecuencia cambiará. Cuando se reciba una emisora, "TUNE" se visualizará durante 2 segundos. Durante la recepción estéreo por FM se visualizará "((Ⓜ))".



Para buscar rápidamente una emisora (Búsqueda automática)

Mantenga pulsado **◀◀ DOWN** o **▶▶ UP** hasta que la frecuencia empiece a cambiar rápidamente. Después de sintonizar una emisora, la búsqueda parará.

Para detener manualmente la búsqueda automática, pulse **◀◀ DOWN** o **▶▶ UP**.

• La búsqueda automática quizá no pare en emisoras cuyas señales sean muy débiles.

Cuando una radiodifusión estéreo por FM tenga ruido

Pulse **MONO TUNER** del control remoto para que "MONO" aparezca en el visualizador.

El ruido se reducirá, pero la recepción será mono.

Para reponer la recepción estéreo, repita lo de arriba para que desaparezca "MONO".

Para cambiar el intervalo de sintonización de AM

El ajuste predeterminado del intervalo de sintonización de AM es de 10 kHz/paso. Si utiliza esta unidad en un área donde el sistema de asignación de frecuencia es de 9 kHz/paso, cambie el intervalo de sintonización.

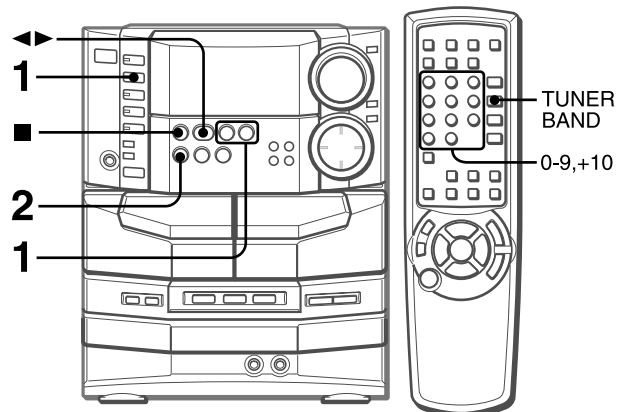
Pulse **POWER** mientras pulsa **TUNER/BAND**.

Para reponer el intervalo, repita este procedimiento.

NOTA

Cuando se cambie el intervalo de sintonización de AM, todas las emisoras preajustadas se borrarán. Las emisoras preajustadas tendrán que ajustarse de nuevo.

PREAJUSTE DE EMISORAS



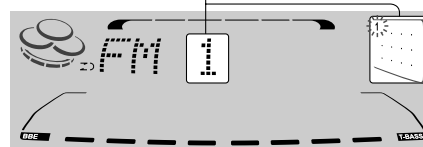
La unidad puede almacenar un total de 32 emisoras. Cuando almacene una emisora, a esa emisora se le asignará un número de preajuste. Utilice el número de preajuste para sintonizar directamente una emisora preajustada.

1 Pulse **TUNER/BAND** para seleccionar una banda, y pulse **◀◀ DOWN** o **▶▶ UP** para seleccionar una emisora.

2 Pulse **■ SET** para almacenar la emisora.

A las emisoras de cada banda se les asigna un número de preajuste en orden consecutivo empezando por el 1.

Número de preajuste



3 Repita los pasos 1 y 2.

La siguiente emisora no se almacenará si ya se ha almacenado un total de 32 emisoras de preajuste de todas las bandas.

NOTA

"FULL" se visualiza si intenta almacenar más de 32 emisoras preajustadas.

SINTONIZACION MEDIANTE NUMERO DE PREAJUSTE

Utilice el control remoto para seleccionar directamente el número de preajuste.

1 Pulse **TUNER/BAND** para seleccionar una banda.

2 Pulse los botones numerados 0-9 y +10 para seleccionar un número de preajuste.

Ejemplo:

Para seleccionar el número de preajuste 20, pulse **+10**, **+10** y **0**.

Para seleccionar el número de preajuste 15, pulse **+10** y **5**.

Selección de un número de preajuste en la unidad principal

Pulse **TUNER/BAND** para seleccionar una banda. Luego, pulse repetidamente **◀▶** o gire **MULTI JOG**.

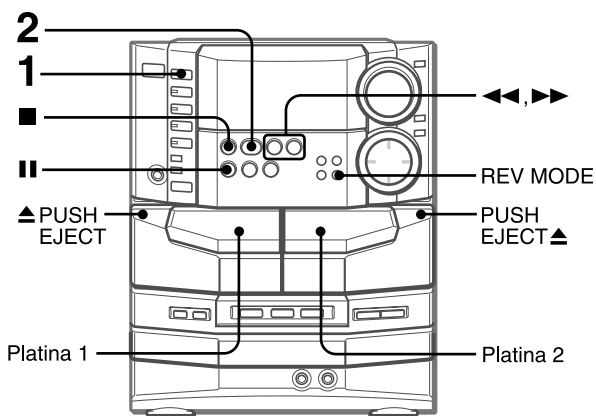
Cada vez que se pulse **◀▶** se seleccionará el siguiente número más alto.

Para borrar una emisora preajustada

Seleccione el número de preajuste de la emisora que vaya a borrar. Luego, pulse **■ CLEAR**, y pulse **■ SET** antes de que pasen 4 segundos.

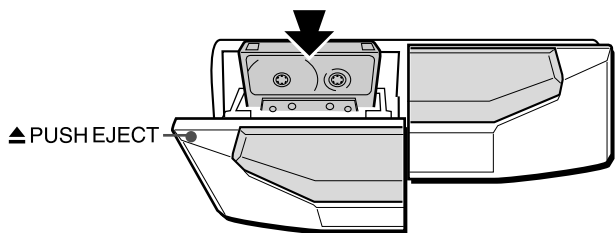
Los números de preajuste superiores de todas las demás emisoras de la banda disminuirán también en uno.

OPERACIONES BASICAS



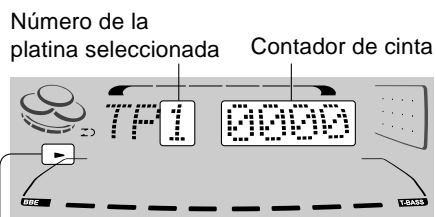
- En la platina 1, las cintas se reproducen siempre por ambas caras.
En la platina 2, podrá seleccionar un modo de inversión para reproducir una o dos caras.
- Utilice cintas tipo I (normales), tipo II (alta polarización/CrO₂) o tipo IV (metal) para la reproducción.

1 Pulse TAPE/DECK 1/2 y PUSH EJECT para abrir el portacasete.



Inserte una cinta con el lado expuesto hacia abajo. Empuje el portacasete para cerrarlo.

2 Pulse para iniciar la reproducción.

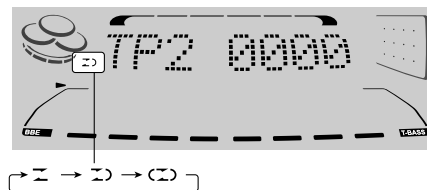


Indicador de la cara de reproducción

- : La cara que queda hacia adelante (cara delantera) está siendo reproducida.
- ◄: La cara que queda hacia atrás (cara trasera) está siendo reproducida.

Para seleccionar un modo de inversión (platina 2 solamente)

Cada vez que pulse REV MODE, el modo de inversión cambiará.



- Para reproducir una cara solamente, seleccione.
- Para reproducir de la cara delantera a la trasera una vez solamente, seleccione.
- Para reproducir repetidamente ambas caras, seleccione.
- Cuando haya cintas introducidas en ambas platinas, el indicador del visualizador indicará la reproducción continua.

Para seleccionar una platina de reproducción

Cuando haya cintas cargadas en ambas platinas, pulse primero TAPE/DECK 1/2 para seleccionar una de las platinas. El número de la platina seleccionada se visualiza.

Para detener la reproducción, pulse.

Para hacer una pausa en la reproducción (platina 2 solamente), pulse. Para reanudar la reproducción, púselo de nuevo.

Para cambiar la cara de reproducción, pulse en el modo de reproducción o en el de pausa.

Para avanzar rápidamente o rebobinar, pulse o. Luego pulse para detener la cinta.

Para iniciar la reproducción cuando la alimentación esté desconectada (función de reproducción directa)

Pulse TAPE/DECK 1/2. La alimentación se conectará y empezará la reproducción de la cinta insertada.

Para poner el contador de cinta a 0000

Pulse CLEAR en el modo de parada.

El contador también se pone en 0000 cuando se abre y se cierra el portacasete.

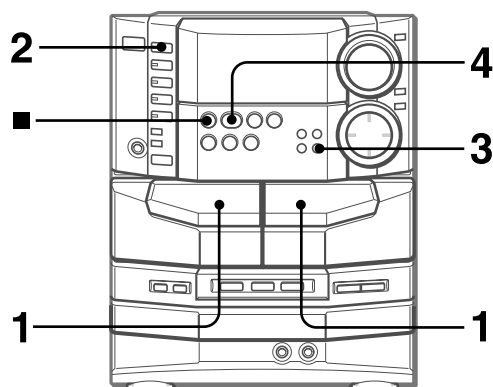
SENSOR MUSICAL

Si hay un espacio sin grabar de 4 segundos o más entre cada canción, la búsqueda del principio de la canción que esté siendo reproducida o de la siguiente canción podrá realizarse fácilmente. Pulse ◀▶ o ▶▶ durante la reproducción observando el indicador de la cara de reproducción (◀ o ▶) del visualizador. Por ejemplo, cuando pulse ▶▶ mientras se visualiza ▶, empezará a reproducirse la siguiente canción.

La función del sensor musical tal vez no pueda detectar las canciones bajo las condiciones siguientes:

- Espacios sin grabar de menos de 4 segundos entre las canciones
- Espacios sin grabar que tengan ruido
- Pasajes largos con un sonido muy bajo
- Niveles de grabación bajos en general

REPRODUCCION CONTINUA

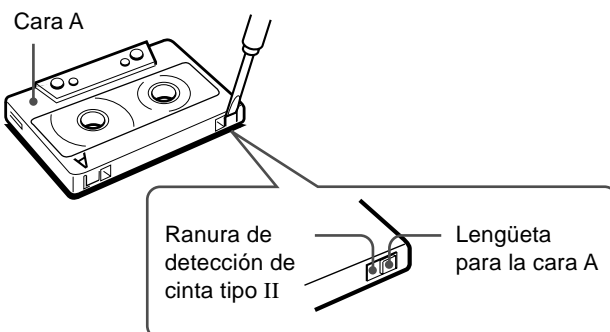


Después de terminar la reproducción en una platina, la cinta de la otra platina empezará a reproducirse sin interrupción.

- 1 Inserte cintas en las platinas 1 y 2.**
- 2 Pulse TAPE/DECK 1/2 para seleccionar la platina que vaya a realizar la reproducción en primer lugar.**
- 3 Pulse REV MODE para seleccionar ⌂.**
- 4 Pulse ◀▶ para iniciar la reproducción.**
La reproducción continuará hasta que se pulse ■.

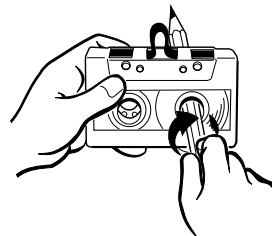
Acerca de las cintas de casete

- **Para evitar el borrado accidental**, rompa con un destornillador u otra herramienta puntiaguda las lengüetas de plástico del casete después de grabar.

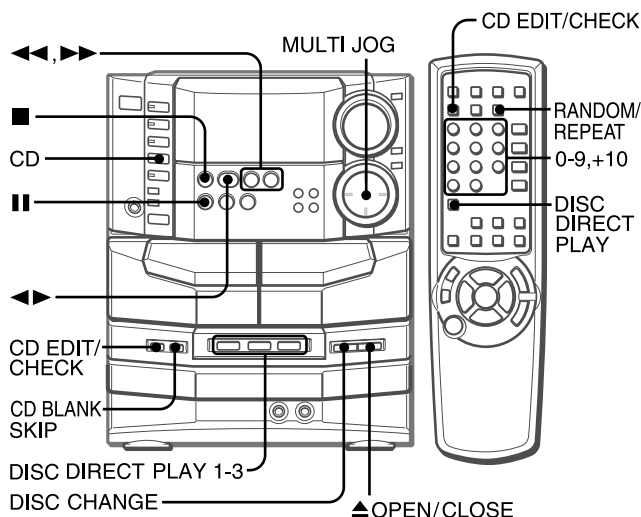


Para volver a grabar en una cinta, tape las aberturas con cinta adhesiva, etc. (En cintas tipo II, tenga cuidado para no tapar la ranura de detección de cinta tipo II.)

- **Las cintas de 120 minutos o más** son extremadamente finas y se deforman o estropean fácilmente. No son recomendadas.
- **Tense la cinta** con un lapicero o herramienta similar antes de utilizarla. La cinta floja podrá romperse o atascarse en el mecanismo.



OPERACIONES BASICAS



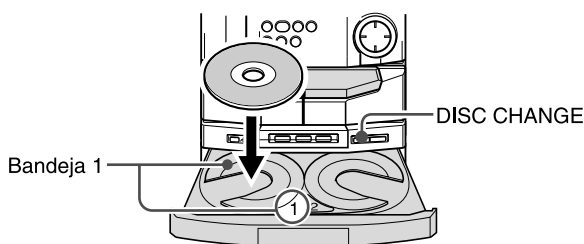
INTRODUCCION DE DISCOS

Pulse **CD**, y luego pulse **▲ OPEN/CLOSE** para abrir el compartimiento de los discos. Introduzca el(los) disco(s) con el lado de la etiqueta hacia arriba.

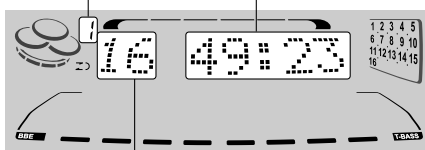
Para reproducir uno o dos discos, ponga los discos en las bandejas 1 y 2.

Para reproducir tres discos, pulse **DISC CHANGE** para girar las bandejas después de poner dos discos. Ponga el tercer disco en la bandeja 3.

Cierre el compartimiento del disco pulsando **▲ OPEN/CLOSE**.



Número de la bandeja del disco que va a ser reproducido Tiempo de reproducción total



Número total de canciones

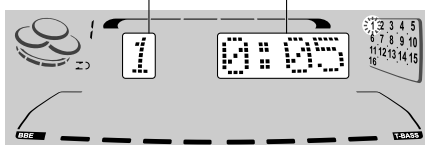
REPRODUCCION DE DISCOS

Introduzca los discos.

Para reproducir todos los discos del compartimiento de los discos, pulse **◀▶**.

La reproducción empezará por el disco de la bandeja 1.

Número de la canción que está siendo reproducida Tiempo de reproducción transcurrido



Para reproducir un disco solamente, pulse **DISC DIRECT PLAY 1-3**.

El disco seleccionado se reproducirá una vez.

Para detener la reproducción, pulse **■**.

Para hacer una pausa en la reproducción, pulse **⏸**. Para reanudar la reproducción, púlselo de nuevo.

Para buscar un punto particular durante la reproducción, mantenga pulsado **◀▶** y suéltelo en el punto deseado.

Para saltar hasta el comienzo de una pista durante la reproducción, pulse repetidamente **◀▶** o gire **MULTI JOG**.

Para quitar discos, pulse **▲ OPEN/CLOSE**.

Para iniciar la reproducción cuando la alimentación esté desconectada (función de reproducción directa)

Pulse **CD**. La alimentación se conectará y la reproducción del(de) los) disco(s) introducido(s) empezará.

Cuando se pulse **▲ OPEN/CLOSE**, la alimentación también se conectará y el compartimiento de los discos se abrirá.

Para comprobar el tiempo restante

Durante la reproducción (excepto durante la reproducción aleatoria o programada), pulse **CD EDIT/CHECK**. El tiempo restante hasta que todas las canciones terminen de reproducirse se visualizará. Para reponer la visualización del tiempo de reproducción, repita este procedimiento.

Selección de una canción con el control remoto

1 Pulse **DISC DIRECT PLAY** y, antes de que pasen 3 segundos, pulse **1, 2** ó **3**.

2 Pulse los botones numerados **0-9** y **+10** para seleccionar una canción.

Ejemplo:

Para seleccionar la canción número 25, pulse **+10, +10** y **5**.

Para seleccionar la canción número 10, pulse **+10** y **0**.

La canción seleccionada empieza a reproducirse y la reproducción continúa hasta el final del disco.

Reemplazo de discos durante la reproducción

Mientras se reproduzca un disco, los otros discos podrán reemplazarse sin interrumpir la reproducción.

1 Pulse **DISC CHANGE**.

2 Quite los discos y ponga otros.

3 Pulse **▲ OPEN/CLOSE** para cerrar el compartimiento de los discos.

NOTA

- Cuando introduzca un disco de 8 cm, póngalo en el círculo interior de la bandeja.
- No ponga más de un disco compacto en una bandeja de disco.
- No incline la unidad habiendo discos introducidos. Hacer esto podría causar averías.
- No utilice discos compactos con formas irregulares (por ejemplo, con forma de corazón, octagonales, etc.). Éstos podrían ocasionar un fallo en el funcionamiento.
- La unidad tal vez no reproduzca un disco CD-R/RW grabado en una computadora personal o en alguna clase de grabadora CD-R/RW debido a las diferencias en los formatos de grabación.
- No ponga ninguna pegatina ni etiqueta en ninguna de las caras (cara grabable o cara de la etiqueta) de un disco CD-R/RW. Eso podría causar un fallo en el funcionamiento.

REPRODUCCION ALEATORIA/ REPETICION DE REPRODUCCION

Utilice el control remoto.

Reproducción aleatoria

Todas las canciones del disco seleccionado o de todos los discos podrán reproducirse aleatoriamente.


Repetición de reproducción

Un solo disco o todos ellos podrán reproducirse repetidamente.

Pulse RANDOM/REPEAT.


Cada vez que se pulse, la función podrá seleccionarse cíclicamente.

Reproducción aleatoria — “RANDOM” se enciende en el visualizador.

Repetición de reproducción — “” se enciende en el visualizador.


Reproducción aleatoria/Repetición de reproducción — “RANDOM” y “” se encienden en el visualizador.

Cancelación — “RANDOM” y “” desaparecen del visualizador.

Para reproducir todos los discos, pulse  para iniciar la reproducción.

Para reproducir un solo disco, pulse **DISC DIRECT PLAY** y, antes de que pasen 3 segundos, pulse **1, 2 ó 3** para iniciar la reproducción.

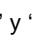
NOTA

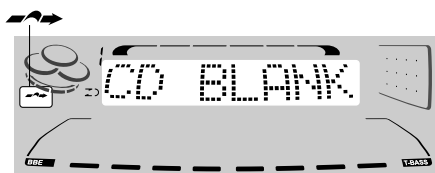
Durante la reproducción aleatoria no será posible saltar a la canción previamente reproducida con .

REPRODUCCION CON SALTO DE SECCIONES EN BLANCO

Las secciones en blanco entre las canciones grabadas de un disco compacto pueden saltarse durante la reproducción.

1 Pulse CD BLANK SKIP.


Se visualiza “CD BLANK SKIP ON” y “” aparece en el visualizador.



2 Pulse para iniciar la reproducción.

Las secciones en blanco entre canciones se saltarán, y el sonido se reproducirá sin interrupción. Si una canción termina con desvanecimiento (el sonido va disminuyendo gradualmente), la parte con desvanecimiento también se saltará.

Para volver a la reproducción normal

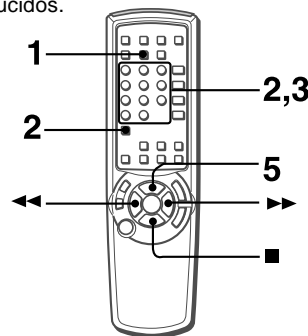
Pulse de nuevo **CD BLANK SKIP**, entonces se visualiza “CD BLANK SKIP OFF” y la visualización “” desaparece.

NOTA

- Puede haber casos en los que la REPRODUCCION CON SALTO DE SECCIONES EN BLANCO no funcionará correctamente.
- La REPRODUCCION CON SALTO DE SECCIONES EN BLANCO se cancela automáticamente cuando se realiza la GRABACION CON EDICION AI (página 19), la GRABACION CON EDICION PROGRAMADA (página 20) la grabación durante la REPRODUCCION PROGRAMADA (explicado a continuación) o la REPRODUCCION ALEATORIA (explicado anteriormente).

REPRODUCCION PROGRAMADA

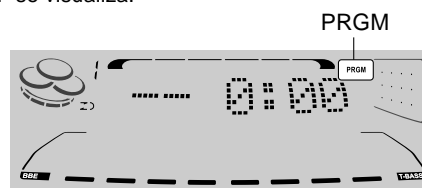
Se podrá programar un máximo de 30 canciones de cualquiera de los discos introducidos.



Utilice el control remoto.

1 Pulse PRGM dos veces en el modo de parada.

“PRGM” se visualiza.



- Cuando **PRGM** se pulse una vez en el paso 1, la unidad se pondrá en el modo PROGRAMA DE KARAOKE (página 27).

2 Pulse DISC DIRECT PLAY y, antes de que pasen 3 segundos, pulse 1, 2 ó 3 para seleccionar un disco.

Vaya al paso siguiente cuando la bandeja deje de girar.

3 Pulse los botones numerados 0-9 y +10 para programar una canción.

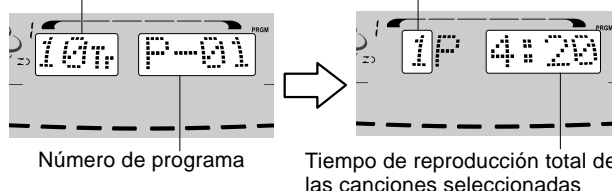
Ejemplo:

Para seleccionar la canción número 25, pulse **+10, +10 y 5**.

Para seleccionar la canción número 10, pulse **+10 y 0**.

Número de la canción seleccionada

Número total de canciones seleccionadas




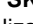
Número de programa

Tiempo de reproducción total de las canciones seleccionadas


4 Repita los pasos 2 y 3 para programar otras canciones.

5 Pulse para iniciar la reproducción.

Para comprobar el programa

Cada vez que se pulse  o  en el modo de parada, se visualizará un número de disco, un número de canción y un número de programa.

Para borrar el programa

Pulse  **CLEAR** en el modo de parada.


Para añadir canciones al programa

Repita los pasos 2 y 3 en el modo de parada. La canción se programará después de la última canción.

Para cambiar las canciones programadas

Borre el programa y repita de nuevo todos los pasos.

Para reproducir repetidamente las canciones programadas

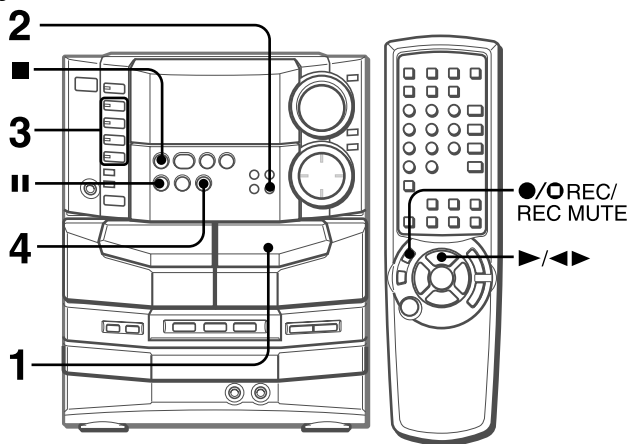
Después de programar las canciones, pulse repetidamente **RANDOM/REPEAT** hasta que aparezca “” en el visualizador.

NOTA

- Durante la reproducción programada no se puede realizar la reproducción aleatoria, comprobar el tiempo restante y seleccionar un disco o una canción. “Can't USE” se visualizará si intenta seleccionar una canción.
- “FULL” se visualizará si usted intenta programar más de 30 canciones.

GRABACION BASICA

Esta sección explica cómo grabar del sintonizador, del reproductor de discos compactos o de un equipo exterior. La entrada digital procedente de un equipo exterior no puede grabarse.

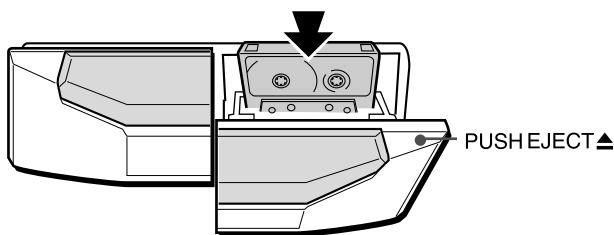


Preparación

- Para la grabación, utilice cintas tipo I (normal) y tipo II (alta polarización/CrO₂).
- Ponga la cinta en el punto donde vaya a iniciar la grabación.

1 Inserte la cinta que vaya a grabar en la platina 2.

Inserte la cinta con la cara que vaya a grabar en primer lugar hacia afuera de la unidad.



2 Pulse REV MODE para seleccionar el modo de inversión.

Para grabar en una cara solamente, seleccione Σ .
Para grabar en ambas caras, seleccione Σ o Σ .

3 Pulse el botón de función (TUNER/BAND, VIDEO1/DVD/AUX, CD o VIDEO2/LD/MD) y prepare la fuente de sonido de la que vaya a grabar.

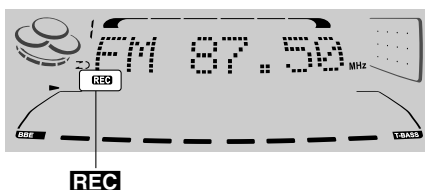
Para grabar de un disco compacto, pulse CD e introduzca el(los) disco(s).

Para grabar de una radiodifusión, pulse TUNER/BAND y sintonice una emisora.

Para grabar de una fuente conectada, pulse VIDEO1/DVD/AUX o VIDEO2/LD/MD.

4 Pulse ● REC/REC MUTE para iniciar la grabación.

Cuando grabe de una fuente conectada, inicie la reproducción en esa fuente.



Cuando la función seleccionada sea CD, la reproducción y la grabación empezarán simultáneamente.

Para detener la grabación, pulse ■.

Para hacer una pausa en la grabación, pulse ■■. (Aplicable cuando la fuente es TUNER, VIDEO1/DVD/AUX o VIDEO2/LD/MD.) Para reanudar la grabación, vuelva a pulsar el botón.

Para iniciar la grabación con el control remoto

Pulse primero ●/○ REC/REC MUTE y luego pulse ►/◄► antes de que pasen 2 segundos.

Ajuste de sonido durante la grabación

El control VOLUME no afecta a la grabación, mientras que BBE sí afecta a la grabación.

NOTA

Cuando grabe una fuente conectada externamente a través de las tomas VIDEO1/DVD/AUX o VIDEO2/LD/MD, "OVERLOAD" se encenderá continuamente en el visualizador si el nivel de entrada es demasiado alto. En este caso, pare la grabación y ajuste el nivel de entrada hasta que "OVERLOAD" se encienda intermitentemente (página 32).

INSERCIÓN DE ESPACIOS SIN GRABAR

La inserción de espacios sin grabar de 4 segundos le permite activar la función del sensor musical. (Puede aplicarse cuando la fuente de sonido es TUNER/BAND, VIDEO1/DVD/AUX o VIDEO2/LD/MD).

1 Pulse ● REC/REC MUTE durante la grabación o en el modo de pausa de grabación.

REC parpadeará en el visualizador durante 4 segundos y se creará un espacio sin grabar de 4 segundos. Luego, la platina entrará en el modo de pausa de grabación.

2 Pulse ■■ para reanudar la grabación.

Para insertar un espacio en blanco de menos de 4 segundos, pulse de nuevo ● REC/REC MUTE mientras parpadea REC.

Para insertar espacios en blanco de más de 4 segundos, después de que la platina entre en el modo de pausa de grabación, pulse de nuevo ● REC/REC MUTE.

Cada vez que se pulse el botón se añadirá un espacio en blanco de 4 segundos.

NOTA

Si se intenta grabar en una cinta cuyo casete tiene las lengüetas de plástico rotas se visualizará "Can't REC".

Para borrar una grabación

Asegúrese de que el micrófono no esté conectado a esta unidad. Ponga el volumen del micrófono y el nivel del eco en OFF (página 25).

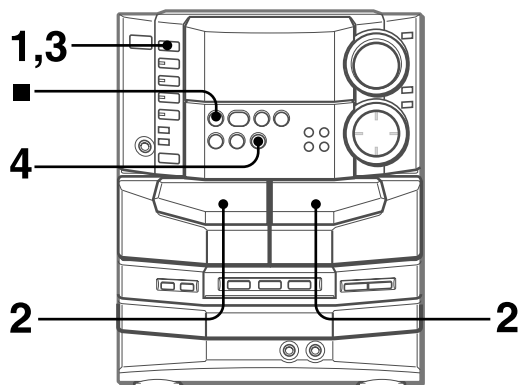
1 Introduzca la cinta que vaya a borrar en la platina 2 y pulse TAPE/DECK 1/2 para visualizar "TP 2".

2 Ponga la cinta en el punto donde vaya a empezar a borrar.

3 Ponga el modo de inversión pulsando REV MODE.

4 Pulse ● REC/REC MUTE para iniciar el borrado.

COPIADO MANUAL DE UNA CINTA



NOTA

- Ponga la cinta en el punto donde vaya a empezar la grabación.
- El modo de inversión se ajusta automáticamente a Σ .
Tenga en cuenta que la grabación se hará en una cara de la cinta solamente.

1 Pulse TAPE/DECK 1/2.

2 Inserte la cinta original en la platina 1 y la cinta que vaya a grabar en la platina 2.

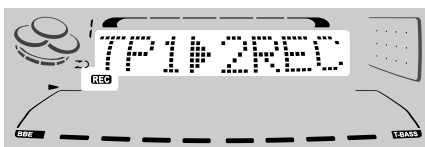
Inserte las cintas con las caras que vaya a reproducir o grabar hacia afuera de la unidad.

3 Pulse TAPE/DECK 1/2 para seleccionar la platina 1.

"TP 1" se visualizará.

4 Pulse \bullet REC/REC MUTE para iniciar la grabación.

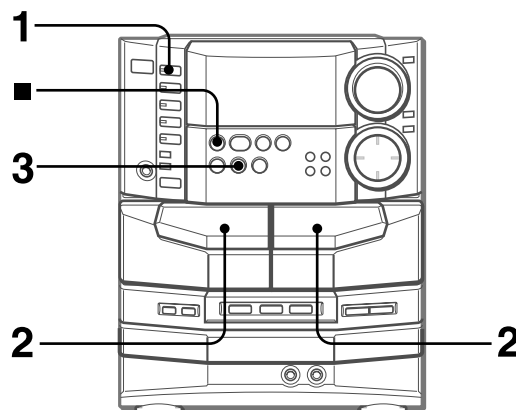
La reproducción y la grabación empezarán simultáneamente.



Para detener el copiado

Pulse \blacksquare .

COPIADO DE TODA LA CINTA



Esta función le permitirá hacer copias exactas de ambas caras de la cinta original. La cara de inversión de ambas cintas empezará simultáneamente tan pronto como termine de invertirse la cinta más larga.

NOTA

- La copia no empieza desde un punto ubicado en medio de la cinta.
- El modo de inversión se pone automáticamente en Σ .

1 Pulse TAPE/DECK 1/2.

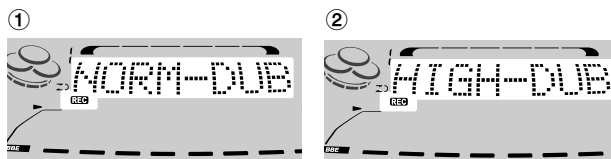
2 Inserte la cinta original en la platina 1 y la cinta que vaya a grabar en la platina 2.

Inserte cada cinta con la cara que vaya a ser reproducida o grabada hacia afuera de la unidad.

3 Pulse una o dos veces SYNC DUB para iniciar la grabación.

① Para grabar a velocidad normal, púselo una vez para visualizar "NORM-DUB".

② Para grabar a alta velocidad, púselo dos veces para visualizar "HIGH-DUB".



Las cintas se rebobinan hasta el principio de las caras delanteras y comienza la grabación.

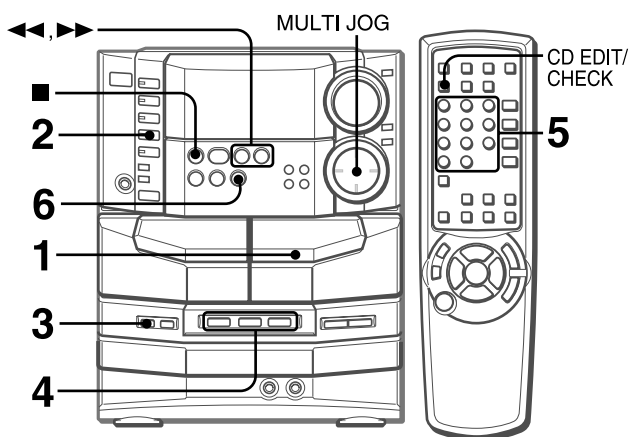
Para detener el copiado

Pulse \blacksquare .

NOTA

La grabación no empezará si las lengüetas de prevención de borrado de ambos lados de la cinta están rotas.

GRABACION CON EDICION AI



La función de grabación con edición AI permite grabar discos compactos sin preocuparse de la duración de la cinta y de las canciones. Cuando se inserte un disco compacto, la unidad calculará automáticamente la duración total de las canciones. En caso de ser necesario, el orden de las canciones cambiará para que ninguna de ellas quede cortada.

(AI: Inteligencia Artificial)

NOTA

La grabación con edición AI no empezará desde un punto que se encuentre en medio de la cinta. La cinta deberá grabarse desde el principio de cada cara.

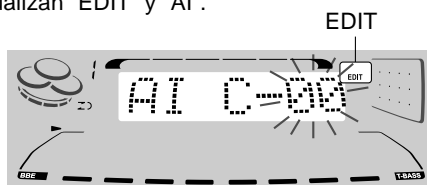
1 Inserte la cinta en la platina 2.

Inserte la cinta con la cara que vaya a grabar en primer lugar hacia afuera de la unidad.

2 Pulse CD e introduzca el(los) disco(s).

3 Pulse una vez CD EDIT/CHECK.

Se visualizan "EDIT" y "AI".



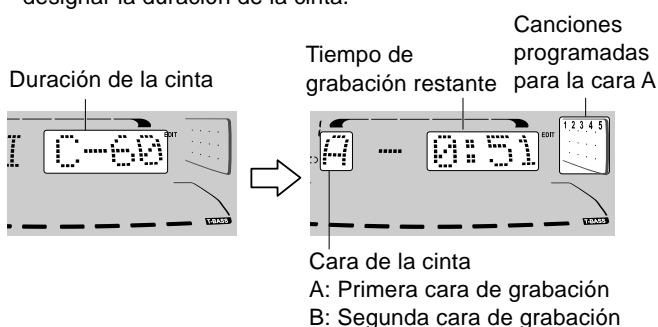
• Cuando se visualice "PRGM", pulse **CD EDIT/CHECK**.

4 Pulse DISC DIRECT PLAY 1-3 para seleccionar un disco.

5 Pulse los botones numerados 0-9 del control remoto para designar la duración de la cinta.

Se puede especificar una duración de 10 a 99 minutos. Ejemplo: Cuando utilice una cinta de 60 minutos, pulse **6** y **0**. En unos pocos segundos, las canciones que van a ser grabadas en cada cara de la cinta serán determinadas.

• **◀◀**, **▶▶** o **MULTI JOG** también se pueden utilizar para designar la duración de la cinta.



6 Pulse **● REC/REC MUTE** para iniciar la grabación de la primera cara.

La cinta se rebobinará hasta el principio de la primera cara, el segmento guía avanzará durante 10 segundos y la grabación empezará. Cuando termine de grabarse la cara delantera (cara A) empezará la grabación de la cara trasera (cara B).

Para detener la grabación

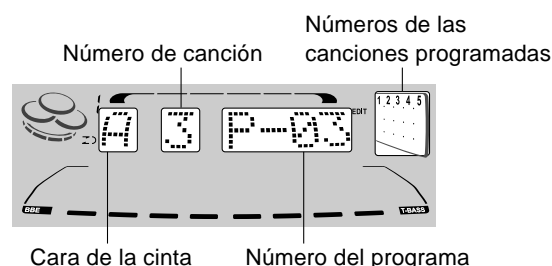
Pulse **■**. La grabación y la reproducción del disco compacto se pararán simultáneamente.

Para borrar el programa de edición

Pulse dos veces **■ CLEAR** para que "EDIT" desaparezca del visualizador.

Para comprobar el orden de los números de las canciones programadas

Antes de grabar, pulse **CD EDIT/CHECK** para seleccionar la cara A o B, y pulse repetidamente **◀◀** o **▶▶**.



Para añadir canciones de otros discos a un programa de edición

Si queda tiempo en la cinta después del paso 5, usted podrá añadir canciones de otros discos que se encuentren en el compartimiento de los discos compactos.

- 1 Pulse **CD EDIT/CHECK** para seleccionar la cara A o la B.
- 2 Pulse **DISC DIRECT PLAY 1-3** para seleccionar un disco.
- 3 Pulse los botones numerados del control remoto para seleccionar canciones.

Una canción cuyo tiempo de reproducción sea superior al tiempo restante no podrá ser programada.

- 4 Repita los pasos 2 y 3 para añadir más canciones.

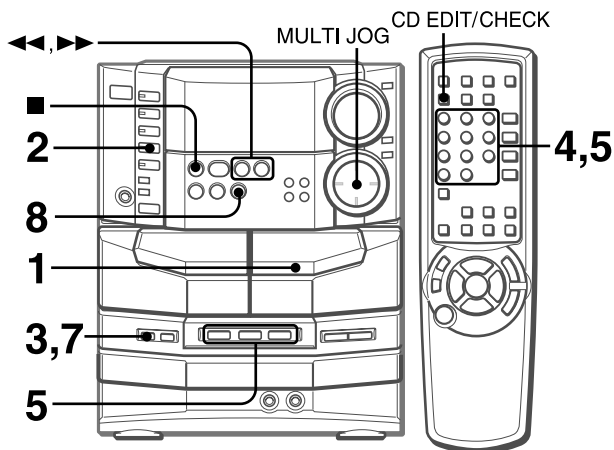
Tiempo de las cintas de casete y tiempo de edición

El tiempo real de grabación de los casetes es por lo general un poco más largo que el tiempo de grabación especificado en sus etiquetas. Esta unidad puede programar canciones para utilizar ese tiempo extra. Cuando el tiempo total de grabación sea un poco más largo que el tiempo de grabación especificado en el casete, después de la edición, el visualizador mostrará el tiempo extra (sin un signo menos) en lugar del tiempo restante de la cinta (con el signo menos).

NOTA

- La función de grabación con edición AI no se podrá utilizar con discos que tengan 31 canciones o más. Si se intenta hacer esto se visualizará "TR OVER".
- La grabación no podrá realizarse si están rotas las lengüetas de prevención de borrado de ambos lados de la cinta.

GRABACION CON EDICION PROGRAMADA



En la función de grabación con edición programada, las canciones pueden programarse mientras se comprueba el tiempo restante de cada cara de la cinta.

NOTA

La grabación con edición programada no empezará desde un punto ubicado en medio de la cinta. La cinta deberá grabarse desde el principio de una de las caras.

1 Inserte la cinta en la platina 2.

Inserte la cinta con la cara que vaya a grabar en primer lugar hacia afuera de la unidad.

2 Pulse CD e introduzca el(los) disco(s).

3 Pulse dos veces CD EDIT/CHECK.

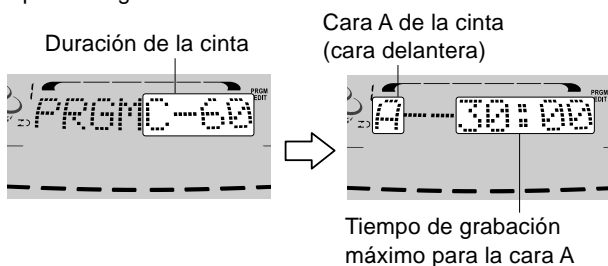
“EDIT” y “PRGM” se visualizarán.

- Cuando se visualice “AI”, pulse de nuevo CD EDIT/CHECK.

4 Pulse los botones numerados del control remoto para designar la duración de la cinta.

Se puede especificar una duración de 10 a 99 minutos.

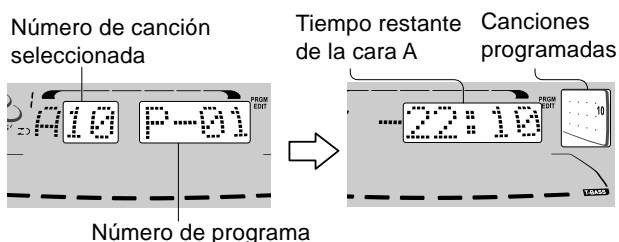
- ◀◀, ▶▶ o MULTI JOG también se encuentran disponibles para designar la duración de la cinta.



5 Pulse DISC DIRECT PLAY 1-3 para seleccionar un disco.

Luego, pulse los botones numerados 0-9 y +10 del control remoto para programar una canción.

Ejemplo: Para seleccionar la canción número 10 del disco 2, pulse DISC DIRECT PLAY 2, y luego pulse +10 y 0.



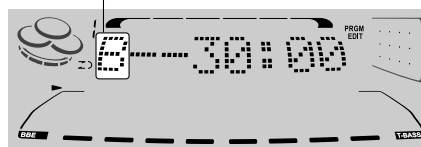
6 Repita el paso 5 para el resto de las canciones para la cara A.

Una canción cuyo tiempo de grabación sea superior al tiempo restante no podrá ser programada.

7 Pulse CD EDIT/CHECK para seleccionar la cara B y programe las canciones para la cara B.

Después de confirmar que “B” aparezca en el visualizador, repita el paso 5.

Cara B de la cinta (cara trasera)



8 Pulse ● REC/REC MUTE para iniciar la grabación.

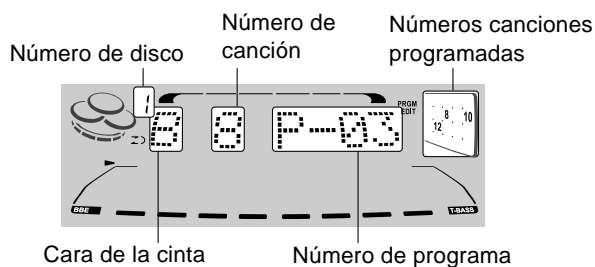
La cinta se rebobina hasta el principio de la cara delantera, el segmento guía avanza durante 10 segundos y empieza la grabación. Cuando termine de grabarse la cara delantera (A) empezará la grabación de la cara trasera (B).

Para detener la grabación

Pulse ■. La grabación y la reproducción del disco compacto pararán simultáneamente.

Para comprobar el orden de los números de las canciones programadas

Antes de grabar, pulse CD EDIT/CHECK para seleccionar la cara A o B, y pulse repetidamente ◀◀ o ▶▶.



Para cambiar el programa de cada cara

Pulse CD EDIT/CHECK para seleccionar la cara A o B, y pulse ■ CLEAR para borrar el programa de la cara seleccionada. Luego vuelva a programar canciones.

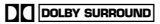
Para borrar el programa de edición


Pulse dos veces ■ CLEAR para que “EDIT” desaparezca del visualizador.

NOTA

- Se puede programar un máximo de 30 canciones de cualquiera de los discos insertados.
- “FULL” se visualizará si usted intenta programar más de 30 canciones.
- La grabación no podrá realizarse si están rotas las lengüetas de prevención de borrado de ambos lados de la cinta.

Con el decodificador Dolby Digital incorporado en esta unidad y con el sistema de altavoces de sonido ambiental (el altavoz central y los altavoces de sonido ambiental suministrados más los altavoces delanteros derecho e izquierdo), los programas de vídeo grabados con Dolby Digital o Dolby Pro Logic podrán reproducirse plenamente como sonido de cine para el hogar. Los diálogos se oyen en los campos de sonido delantero y central, mientras que los sonidos ambientales, como los de los automóviles o los gentíos, se reproducen a todo alrededor del oyente, para obtener así una experiencia audiovisual increíble.

Dolby Pro Logic tiene cuatro canales independientes: izquierdo, central, derecho y de sonido ambiental. Estos cuatro canales se encuentran codificados en las dos pistas de una fuente de programas estéreo convencional. El decodificador Dolby Digital de esta unidad recupera estos cuatro canales durante la reproducción. Los programas Dolby Pro Logic están marcados con el logotipo .

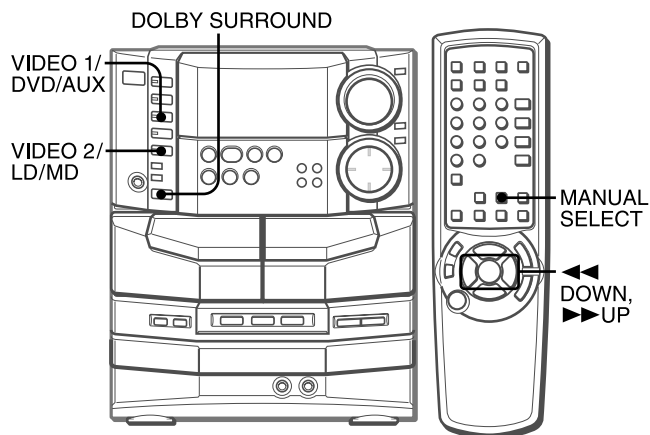
Dolby Digital, en contraste con Dolby Pro Logic, está digitalizado, y tiene canales de sonido ambiental derecho e izquierdo separados, más un canal de efectos de baja frecuencia (LFE). Por eso se le llama también Dolby Digital de "5,1 canales", donde el canal LFE se cuenta como "canal 0,1". Los programas Dolby Digital están marcados con el logotipo .

NOTA


- El sonido Dolby Digital y el sonido Dolby Pro Logic sólo pueden obtenerse cuando se reproducen programas que tienen los logotipos respectivos.
- Asegúrese de que los altavoces suministrados estén colocados y conectados correctamente (páginas 4 y 5).
- Asegúrese de que su equipo de vídeo y su televisor están conectados correctamente (página 5). Para la reproducción de Dolby Digital se necesita realizar una conexión digital entre su equipo de vídeo y esta unidad.
- Asegúrese de que su equipo de vídeo pueda reproducir sus programas Dolby Digital o Dolby Pro Logic (discos LD o DVD, por ejemplo). Consulte las instrucciones de su equipo. En el reproductor CD de esta unidad no podrá reproducir discos DVD.
- La entrada digital exterior de esta unidad acepta señales de flujo de bits Dolby Digital, o señales PCM lineales con una frecuencia de muestreo de 32 kHz, 44,1 kHz o 48 kHz. Esta unidad no puede reproducir programas cuya frecuencia de muestreo sea de 96 kHz.
- Algunos reproductores DVD conectados digitalmente a esta unidad pueden causar ruido al realizar algunas de sus operaciones como, por ejemplo, la búsqueda en un disco, el salto de un capítulo, etc.

REPRODUCCION DEL SONIDO DOLBY SURROUND

Seleccione la entrada digital para un disco Dolby Digital y la entrada analógica para un programa Dolby Pro Logic.



Reproducción de sonido Dolby Digital

Para programas con el logotipo .

1 Seleccione la fuente.

Si su equipo de vídeo está conectado a la toma DIGITAL IN OPTICAL: mantenga pulsado VIDEO1/DVD/AUX.

Si su equipo de vídeo está conectado a la toma DIGITAL IN COAXIAL: mantenga pulsado VIDEO2/LD/MD.

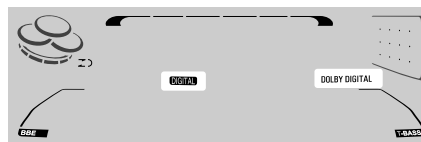
"ANALOG" y "DIGITAL" aparecen alternativamente en el visualizador.

Suelte el botón cuando se muestre "DIGITAL".

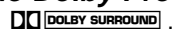
El indicador DIGITAL se enciende en el visualizador, y la entrada digital procedente de su equipo se selecciona como fuente.

2 Reproduzca la fuente Dolby Digital en su equipo de vídeo.

El indicador DOLBY DIGITAL se enciende en el visualizador, y el sonido se reproduce en Dolby Digital.



Reproducción de sonido Dolby Pro Logic

Para programas con el logotipo .

1 Seleccione la fuente.

Si su equipo de vídeo está conectado a las tomas VIDEO1/DVD/AUX: mantenga pulsado VIDEO1/DVD/AUX.

Si su equipo de vídeo está conectado a las tomas VIDEO2/LD/MD: mantenga pulsado VIDEO2/LD/MD.

"ANALOG" y "DIGITAL" aparecen alternativamente en el visualizador.

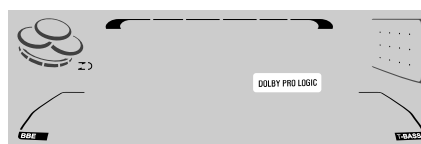
Suelte el botón cuando se muestre "ANALOG".

La entrada analógica procedente de su equipo se selecciona como fuente.

2 Reproduzca la fuente Dolby Pro Logic en su equipo de vídeo.

3 Pulse DOLBY SURROUND.

El indicador DOLBY PRO LOGIC se enciende en el visualizador, y el sonido se reproduce en Dolby Pro Logic.



Para cancelar DOLBY PRO LOGIC

Pulse repetidamente **DOLBY SURROUND** hasta que se visualice "OFF".

Para ajustar el nivel del sonido de los altavoces durante la reproducción

Consulte "Para ajustar el equilibrio del nivel sin la señal de prueba", página 23.

NOTA

- Si el programa Dolby Digital se reproduce a través de una conexión analógica, el sonido será Dolby Pro Logic.
- El modo Dolby Digital cambia automáticamente a 2ch ST (consulte a continuación) cuando se conectan los auriculares.
- El sonido Dolby Pro Logic se cancela automáticamente cuando se conectan los auriculares.
- Cuando esté activado Dolby Digital o Dolby Pro Logic, usted no podrá activar el modo DSP Surround, el sistema BBE, o las funciones de eco o karaoke (excepto para Dolby Digital Karaoke, en la página 26). Se visualizará "Can't USE".

MODOS DOLBY SURROUND ADICIONALES

Modos Phantom y 3 Stereo

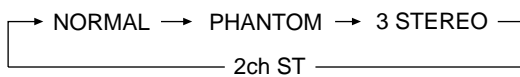
Además del modo NORMAL (predeterminado), Dolby Digital y Dolby Pro Logic tienen los modos PHANTOM y 3 STEREO. Estos modos deben ser utilizados cuando no se disponga de altavoz central ni de altavoces de sonido ambiental. Como se suministran todos los altavoces, estos modos no serán necesarios cuando se utilice normalmente este sistema estéreo.

Para cambiar el modo Dolby Digital o Dolby Pro Logic

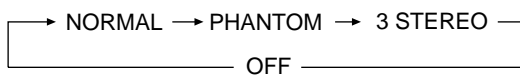
Pulse repetidamente **DOLBY SURROUND** hasta que se visualice el modo deseado.

Con cada pulsación, el modo cambia de la forma siguiente:

[Dolby Digital]



[Dolby Pro Logic]



Modo PHANTOM

Utilice este modo cuando no esté conectado el altavoz central. Las señales del altavoz central salen por los altavoces delanteros.

Modo 3 STEREO

Utilice este modo cuando no estén conectados los altavoces de sonido ambiental. Las señales de los canales traseros salen por los altavoces delanteros.

Modo 2ch ST (Dolby Digital) o OFF (Dolby Pro Logic)

Utilice estos modos cuando no estén conectados el altavoz central ni los altavoces de sonido ambiental.

2ch ST también se utiliza cuando se reproducen discos de karaoke Dolby Digital (página 26).

NOTA

Los modos Dolby Digital sólo pueden seleccionarse cuando se reproduce una fuente Dolby Digital a través de una conexión digital.

Reproducción de programas Dolby Digital de 2 canales

Algunos discos Dolby Digital contienen solamente dos canales de sonido, los cuales pueden estar o no codificados con Dolby Pro Logic.

- Para programas Dolby Digital de 2 canales codificados con Pro Logic:

Seleccione el modo NORMAL para obtener la salida procedente de los altavoces de sonido ambiental, así como también la de los altavoces delanteros derecho e izquierdo.

- Para programas Dolby Digital de 2 canales que no están codificados con Pro Logic:

Seleccione el modo 2ch ST, ya que los sonidos ambientales no se encuentran disponibles.

Perspectiva general de los modos disponibles

Las tablas de abajo muestran los modos recomendados para configuraciones específicas de altavoces. El modo recomendado para este sistema junto con los altavoces suministrados se muestra resaltado.

[Dolby Digital]

		Altavoz central (suministrado)	
		Conectado	No conectado
Altavoces de sonido ambiental (suministrados)	Conectado	NORMAL	PHANTOM
	No conectado	3 STEREO	2ch ST

[Dolby Pro Logic]

		Altavoz central (suministrado)	
		Conectado	No conectado
Altavoces de sonido ambiental (suministrados)	Conectado	NORMAL	PHANTOM
	No conectado	3 STEREO	Apagado

El modo Subwoofer On u OFF

Si conecta un altavoz de subgraves opcional a esta unidad (página 31), cambie el modo del altavoz de subgraves a "SUBW ON". Las señales de efecto de baja frecuencia (página 23) se envían al altavoz de subgraves.

En el modo "SUBW OFF" (predeterminado), las señales LFE se dirigen a otros altavoces.

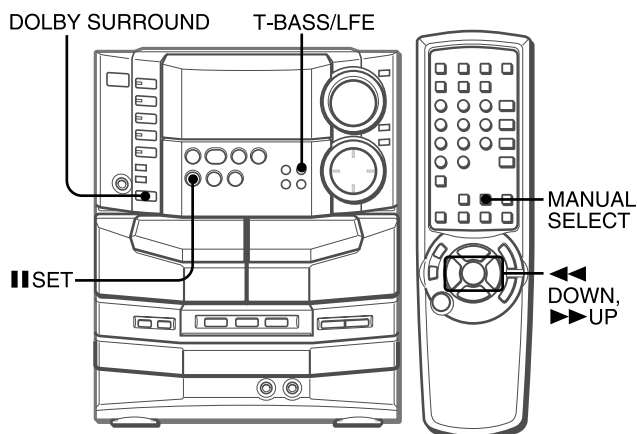
Para cambiar el modo del altavoz de subgraves

- 1 Reproduzca el sonido Dolby Digital o Dolby Pro Logic. Consulte "Reproducción de sonido Dolby Surround" (página 21).
- 2 Pulse repetidamente **MANUAL SELECT** en el control remoto hasta que se visualice "SUBW".
- 3 Pulse ◀◀ para visualizar "SUBW OFF" o pulse ▶▶ para visualizar "SUBW ON" y seleccionar así el modo deseado.

NOTA

El ajuste del modo del altavoz de subgraves es común a Dolby Digital y Dolby Pro Logic.

EQUILIBRIO DEL NIVEL DE LOS ALTAVOCES Y OTROS AJUSTES



AJUSTE DEL NIVEL DEL SONIDO DE LOS ALTAVOCES

Para obtener un rendimiento óptimo, el nivel del sonido de todos los canales disponibles deberá ajustarse al ambiente de escucha.

Los altavoces delanteros derecho e izquierdo crean el efecto estéreo.

El altavoz central ayuda a posicionar de forma precisa el sonido sobre un amplio campo de sonido.

Los altavoces de sonido ambiental realzan la "profundidad" del campo de sonido.

La unidad está equipada con un generador de señal de prueba incorporado para facilitar el ajuste del equilibrio de los canales. La señal de prueba "viaja" de canal a canal. Ajuste el nivel del sonido para cada canal de forma que éste tenga la misma sonoridad aparente en la posición de escucha.

1 Reproduzca el sonido Dolby Surround.

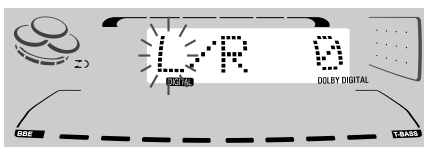
Consulte "Reproducción de sonido Dolby Surround" (página 21).

2 Pulse repetidamente DOLBY SURROUND para seleccionar el modo para su configuración de altavoces.

Para la reproducción con los altavoces suministrados, seleccione "NORMAL".

(Para otros modos, consulte "Modos Dolby Surround adicionales", página 22).

3 Mantenga pulsado MANUAL SELECT hasta que "L" parpadee en el visualizador.

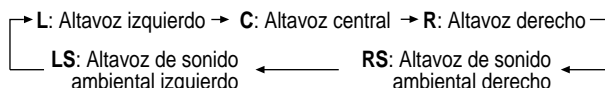


NOTA

Al pulsar **MANUAL SELECT** (en lugar de mantenerlo pulsado) podrá ajustarse el nivel sin necesidad de la señal de prueba. Consulte "Para ajustar el equilibrio del nivel sin la señal de prueba", indicado a continuación.

4 Pulse **◀◀ ◀◀** o **▶▶ ▶▶** en el control remoto para ajustar el nivel del sonido de los altavoces.

La señal de prueba cambia automáticamente entre los canales en el orden siguiente:



La indicación del canal ajustable actual parpadea en el visualizador. El canal no cambiará mientras usted esté ajustando el nivel del sonido.

Para los altavoces delanteros derecho e izquierdo:

Pulse **◀◀ ◀◀** para desplazar el equilibrio hacia la izquierda y **▶▶ ▶▶** para desplazarlo hacia la derecha.

Para los altavoces central y de sonido ambiental:

Pulse **◀◀ ◀◀** para quitar énfasis al canal y **▶▶ ▶▶** para dárselo.

NOTA

- El ajuste del nivel sólo se encuentra disponible para altavoces que están activados (es decir, el nivel del altavoz central no se ajusta en el modo Phantom, y el nivel de los altavoces de sonido ambiental no se ajusta en el modo 3 Stereo).
- El ajuste de los niveles de los altavoces es común a Dolby Digital, Dolby Pro Logic y DSP Surround.
- Durante el ajuste del nivel es posible que se oiga un sonido clic con la señal de prueba. Esto se debe a las características del circuito y no es ningún fallo de funcionamiento.

Para detener la señal de prueba

Pulse **MANUAL SELECT**.

Para detener el ajuste del nivel de los altavoces

Pulse **■**.

Para ajustar el equilibrio del nivel sin la señal de prueba

- 1 Reproduzca el sonido Dolby Surround.
- 2 Pulse repetidamente **DOLBY SURROUND** para seleccionar el modo para su configuración de altavoces.
- 3 Pulse repetidamente **MANUAL SELECT** hasta que se visualice "L/R".
- 4 Pulse **◀◀ ◀◀** o **▶▶ ▶▶** en el control remoto para ajustar el equilibrio de los altavoces delanteros.
- 5 Repita los pasos 3 y 4 para ajustar el equilibrio de los altavoces central y de sonido ambiental.

AJUSTE DEL NIVEL DEL EFECTO DE BAJA FRECUENCIA

Dolby Digital tiene un canal discreto para LFE (efectos de baja frecuencia), el cual reproduce con un extraordinario realismo los sonidos, por ejemplo, de las explosiones y de los retumbos de las pistas de sonido de películas.

El nivel del sonido del efecto de baja frecuencia puede ajustarse según sus preferencias.

LFE no se encuentra disponible para Dolby Pro Logic.

1 Reproduzca el sonido Dolby Digital.

Consulte "Reproducción de sonido Dolby Surround" (página 21).

2 Mantenga pulsado T-BASS/LFE hasta que se visualice "LFE".

3 Pulse repetidamente **◀◀** o **▶▶** para ajustar el nivel del sonido LFE.

Ajuste entre OFF y 0 dB (máximo efecto; predeterminado).

AJUSTE DEL TIEMPO DE RETARDO

Los sonidos de los altavoces de sonido ambiental se reproducen una fracción de segundo después que los sonidos de los altavoces delanteros para obtener el efecto llamado "profundidad". Este tiempo de retardo, así como también el del altavoz central, puede ser ajustado.

1 Reproduzca el sonido Dolby Surround.

Consulte "Reproducción del sonido Dolby Surround" (página 21).

2 Pulse repetidamente MANUAL SELECT en el control remoto para seleccionar el tiempo de retardo y ajustar.

"C Xms": ajuste del tiempo de retardo para el altavoz central
"S Xms": ajuste del tiempo de retardo para los altavoces de sonido ambiental

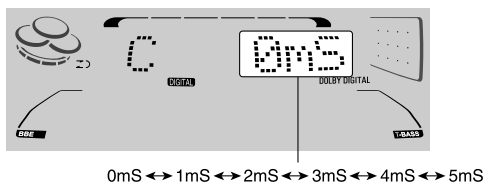
3 Pulse **◀◀** o **▶▶** para ajustar el tiempo de retardo.

[Altavoz central]

Ajuste el tiempo de retardo para que el diálogo de la pantalla se oiga clara y naturalmente.

El ajuste predeterminado es de 0 milisegundos (sin retardo).

Ajuste el retardo entre 0 y 5 ms en pasos de 1 ms.



[Altavoces de sonido ambiental]

Ajuste el tiempo de retardo según sus preferencias.

Dolby Digital

El ajuste predeterminado es de 5 ms. Ajuste el retardo entre 0 y 15 ms en pasos de 5 ms.

Dolby Pro Logic

El ajuste predeterminado es de 20 ms. Ajuste el retardo entre 15 y 30 ms en pasos de 5 ms.

NOTA

- El ajuste del tiempo de retardo en Dolby Digital afecta al ajuste de Dolby Pro Logic, y viceversa. El tiempo de retardo de los altavoces de sonido ambiental en Dolby Digital es de 0 ms, 5 ms, 10 ms y 15 ms, que corresponde respectivamente a 15 ms, 20 ms, 25 ms y 30 ms en Dolby Pro Logic.
- El ajuste del tiempo de retardo sólo se encuentra disponible para los altavoces activados (es decir, el altavoz central no se ajusta en el modo Phantom, y los altavoces de sonido ambiental no se ajustan en el modo 3 Stereo).

AJUSTE DE LA GAMA DINAMICA

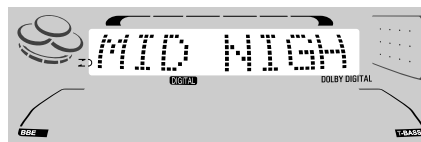
En Dolby Digital, la gama dinámica entre los sonidos bajos y altos puede ajustarse para que se adapte al volumen de reproducción deseado.

El ajuste de la gama dinámica no se encuentra disponible para Dolby Pro Logic.

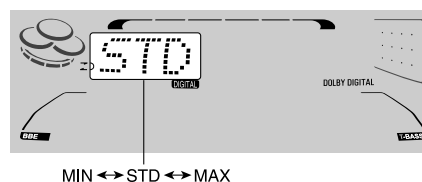
1 Reproduzca el sonido Dolby Digital.

Consulte "Reproducción de sonido Dolby Surround" (página 21).

2 Mantenga pulsado **|| SET** hasta que aparezca "MIDNIGHT THEATER" en el visualizador.



3 Pulse **◀◀** o **▶▶** para seleccionar el modo deseado.



[MIN]

Compresión mínima de la gama dinámica. Disfrute de la gama dinámica completa de las pistas de sonido como lo hace en un cine.

[STD]

Compresión estándar de la gama dinámica recomendada por los productores de programas para reproducciones en el hogar. Es el ajuste predeterminado.

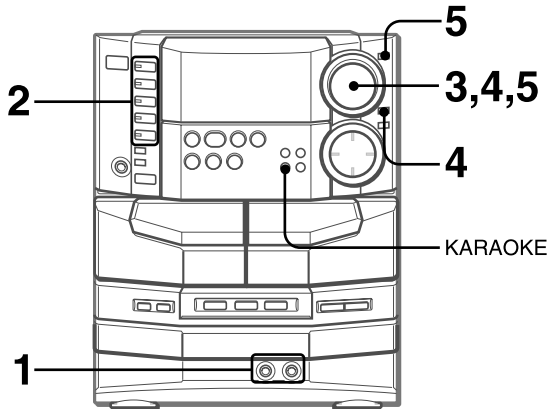
[MAX]

Compresión máxima de la gama dinámica. Mantiene claros los diálogos y los sonidos bajos aunque se reduzca el volumen general. Seleccione este modo cuando quiera mantener bajo el volumen para, por ejemplo, reproducir programas tarde por la noche.

NOTA

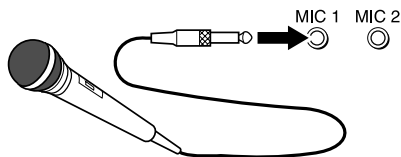
|| SET funciona como botón de pausa durante la grabación.

MEZCLA MICROFONICA



A esta unidad podrán conectarse dos micrófonos (no suministrados), permitiéndole así cantar con el acompañamiento de las fuentes musicales. Utilice micrófonos con clavijas estándar (6,3 mm \varnothing).

1 Conecte sus micrófonos a las tomas MIC 1 y MIC 2.



2 Pulse uno de los botones de función para seleccionar la fuente de sonido que vaya a ser mezclada y luego reproduzca.

3 Ajuste el volumen y el tono de la fuente de sonido.

4 Pulse MIC y gire VOLUME antes de que pasen 4 segundos para ajustar el volumen de los micrófonos.

El volumen de los micrófonos se puede seleccionar entre 1 y MAX (7) u OFF (cancelación).

El volumen de ambos micrófonos se ajustará simultáneamente.

5 Pulse ECHO y gire VOLUME antes de que pasen 4 segundos para ajustar el nivel de eco.

El nivel de eco se puede seleccionar entre 1 y MAX (7) u OFF (cancelación).

Para cambiar el tiempo de retardo del eco

Mantenga pulsado **ECHO** estando activada la función de eco. "L" (largo) y "M" (medio) se visualizarán alternativamente. Suelte el botón en la posición deseada.

Para grabar el sonido de los micrófonos mezclado con el sonido de la fuente

Siga el procedimiento de grabación de la fuente de sonido (consulte la página 17).

SYNC DUB no se podrá utilizar para grabar la mezcla.

Cuando no utilice los micrófonos

Ponga el volumen de los micrófonos y el nivel de eco en OFF y desconecte los micrófonos de las tomas **MIC**.

NOTA

- MIC y ECHO se ponen automáticamente en OFF cuando se cambia la función, se desconecta la alimentación o se desenchufa el cable de alimentación de CA.
- Cuando se cambie el nivel de ECHO, el sistema DSP SURROUND se cancelará automáticamente.
- ECHO no se encuentra disponible para el sonido Dolby Surround.

- Si el sonido de los micrófonos se pone a un nivel demasiado alto quizá se distorsione. En este caso, disminuya el volumen de los micrófonos.
- Cuando se cambie la función, el ajuste de volumen de los micrófonos y el ajuste de volumen del eco se cancelarán.

Micrófonos recomendados

Se recomienda utilizar micrófonos tipo unidireccional para evitar el aullido. Póngase en contacto con su concesionario Aiwa para que le dé los detalles.

FUNCIONES DE DESVANECIMIENTO DE VOZ/MULTIPLEX

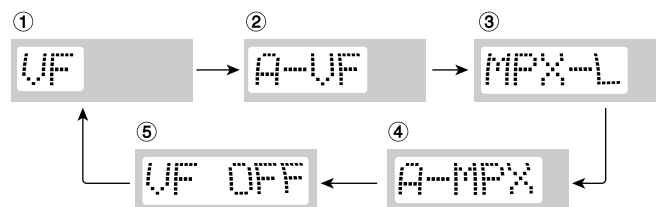
Esta unidad puede utilizar discos o cintas como fuentes de Karaoke.

Utilice la función de desvanecimiento de voz para discos o cintas normales.

Utilice la función de múltiplex para discos o cintas de audio múltiplex.

Pulse repetidamente **KARAOKE** para seleccionar la función de desvanecimiento de voz o de múltiplex.

Cada vez que se pulse **KARAOKE**, una de las funciones siguientes se seleccionará en orden.



① Desvanecimiento de voz

La voz del cantante se hace más suave que la del acompañamiento.

② Desvanecimiento de voz automático

La voz del cantante se hace más suave sólo mientras hay una entrada de audio por el micrófono.

③ Múltiplex

Sólo se oye el sonido del canal izquierdo por ambos altavoces, y el sonido del canal derecho se silencia.

④ Múltiplex automático

El sonido del canal izquierdo se oye por ambos altavoces, y el sonido del canal derecho se silencia sólo mientras hay una entrada de audio por el micrófono.

⑤ Cancelación

Para cambiar el ajuste del retardo de tiempo en las funciones de desvanecimiento de voz automático y de múltiplex automático

La voz silenciada del cantante podrá reponerse más rápidamente.

Cuando se seleccione el desvanecimiento de voz automático o múltiplex automático, "A-VF" o "A-MPX" se visualizará durante 3 segundos y cambiará al nombre de la función seleccionada. Después de visualizarse el nombre de la función seleccionada, mantenga pulsado **KARAOKE** hasta que se visualice "FAST". Para volver al ajuste inicial, seleccione SLOW. Cuando se desconecte la alimentación se repondrá SLOW.

Para cambiar el canal audible en la función de múltiplex

Cuando se seleccione múltiplex, "MPX-L" se visualizará durante 3 segundos y cambiará al nombre de la función seleccionada. Después de visualizarse el nombre de la función seleccionada, mantenga pulsado **KARAOKE** hasta que se visualice "MPX-R". Para volver al ajuste inicial, seleccione MPX-L. Cuando se desconecte la alimentación se repondrá MPX-L.

NOTA

- La función de karaoke tal vez no funcione correctamente con CDs o cintas:
 - con sonido monofónico
 - grabados con ecos fuertes
 - con la parte vocal grabada solamente a la derecha o a la izquierda de la anchura del sonido.
- Mientras la función de karaoke esté activada, el sonido será monofónico.
- La función VOCAL FADER se cancelará automáticamente:
 - cuando se pulse cualquier botón de función
 - cuando el sistema Dolby Pro Logic esté activado
- La función VOCAL FADER/MULTIPLEX no puede activarse:
 - mientras el sistema Dolby Pro Logic está activado
 - mientras la entrada digital está seleccionada (excepto cuando se reproducen discos de karaoke Dolby Digital en el modo 2CH STEREO, como se explica a continuación).

UTILIZACION DE DISCOS DE KARAOKE DOLBY DIGITAL

Con el decodificador Dolby Digital incorporado en esta unidad, usted podrá utilizar discos de karaoke Dolby Digital reproducidos en un equipo de vídeo compatible que esté conectado a esta unidad.

1 Reproduzca el disco de karaoke Dolby Digital.

Consulte "Reproducción de sonido Dolby Surround", (página 21).

2 Pulse repetidamente DOLBY SURROUND para seleccionar el modo 2CH STEREO.

El indicador 2CH DOWNMIX se enciende en el visualizador. Consulte "Modos Dolby Surround adicionales", (página 22).

3 Pulse repetidamente KARAOKE para seleccionar una función de desvanecimiento de voz o una función múltiplex.

Cada vez que se pulse **KARAOKE**, las funciones se seleccionarán cíclicamente de la forma siguiente:

① **VF: Modo de desvanecimiento de voz**

V1 (Voz 1) se silencia. Cuando se reproducen discos de dúos, V2 (Voz 2) también se silencia.

② **A-VF: Modo de desvanecimiento de voz automático**

Mientras se introduce audio a través de un micrófono, V1 se silencia. Cuando se reproducen discos de dúos, V2 también se silencia.

③ **MPX-L o MPX-R: Modo múltiplex**

Este modo sólo se encuentra disponible cuando se reproducen discos de dúos.

MPX-L: V1 sale por el canal izquierdo y V2 en el canal derecho se silencia.

MPX-R: V2 sale por el canal derecho y V1 en el canal izquierdo se silencia.

④ **A-MPX: Modo múltiplex automático**

Este modo sólo se encontrará disponible cuando se reproduzcan discos de dúos. Mientras haya entrada de audio a través del micrófono, el canal derecho o el izquierdo quedará silenciado, dependiendo del ajuste del modo múltiple.

⑤ **VF OFF: Reproducción normal**

V1 sale por ambos canales cuando se reproducen discos de solistas. En discos de dúos, V1 sale por el canal izquierdo y V2 por el canal derecho.

NOTA

ECHO no se encuentra disponible para el sonido Dolby Surround.

Función de melodía de guía

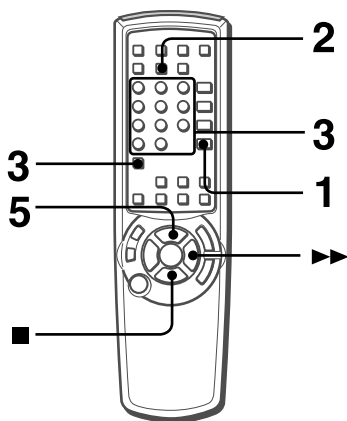
Algunos discos de karaoke Dolby Digital están equipados con la función de melodía de guía, donde la parte de la voz principal es reproducida por un instrumento en lugar de la voz del cantante.

Para desactivar la función de melodía de guía, pulse **II SET** para que "MELODY OFF" aparezca en el visualizador.

Cada vez que se pulse el botón, la función de melodía de guía se activará o desactivará.

Cuando el disco de reproducción no soporte esta función, "NO MELODY" aparecerá en el visualizador.

PROGRAMA DE KARAOKE

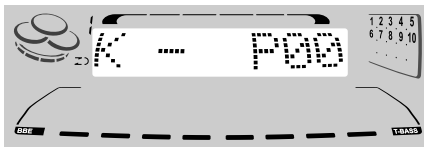


Antes o durante la reproducción de discos compactos, usted podrá reservar un máximo de 15 canciones para reproducirlas después de la canción que esté siendo reproducida. Cada reserva se borrará cuando termine de reproducirse la canción.

Utilice el control remoto.

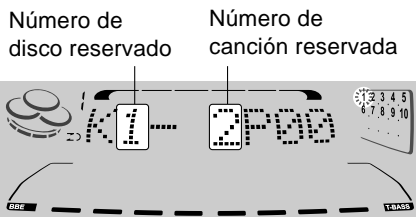
1 Pulse CD e introduzca los discos.

2 Pulse PRGM una vez.



3 Pulse DISC DIRECT PLAY y, antes de que pasen 3 segundos, pulse 1, 2 ó 3 para seleccionar un disco.

Luego, pulse los botones numerados 0-9 y el botón +10 para programar una canción.

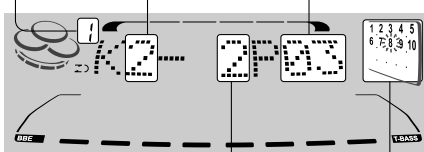


4 Repita el paso 3 para reservar otras canciones.

5 Pulse ◀▶ para iniciar la reproducción.

Después de reproducirse una canción, ésta se borrará del programa.

Disco que está siendo reproducido Número del disco de la última reserva Numero de canciones reservadas restantes



Número de canción de la última reserva El número de la canción que está reproduciéndose parpadea.

Para añadir una reserva durante la reproducción

Repita el paso 3.

Para comprobar las canciones reservadas

Pulse repetidamente **CD EDIT/CHECK**. Cada vez que lo pulse, el número del disco y el número de la canción se visualizarán en el orden en el que fueron reservados.

Para detener la reproducción

Pulse ■.

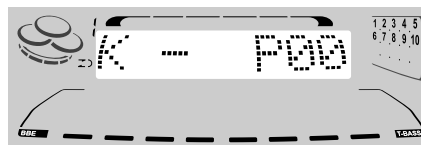
Cuando pulse ◀▶, la reproducción empieza de nuevo desde la última canción.

Para saltar una canción

Pulse ▶▶. La canción saltada se borrará del programa.

Para borrar todas las reservas

Pulse repetidamente ▶▶ hasta que se visualice "K - P00".



Púlselo una vez más para cancelar programas de Karaoke. La visualización volverá a ser la de la reproducción de discos compactos.

NOTA

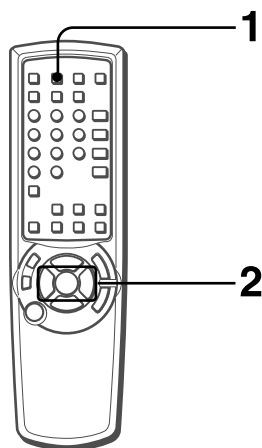
- Si el número de la canción reservada no existe en el disco seleccionado, la unidad parará la reproducción y la visualización parpadeará.

En este caso, pulse ▶▶ para omitir esa canción. Y luego pulse ◀▶ para iniciar la reproducción con la siguiente canción reservada.

- Cuando se pulse repetidamente **PRGM** en el paso 2, "PRGM" se visualizará y la unidad se pondrá en el modo de reproducción programada de disco compacto (página 16).

Para cancelar la reproducción programada, pulse ■ **CLEAR**.

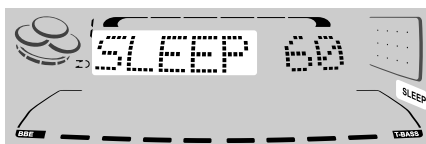
AJUSTE DEL TEMPORIZADOR PARA DORMIR



La unidad se podrá apagar automáticamente después de transcurrido un tiempo especificado.

Utilice el control remoto.

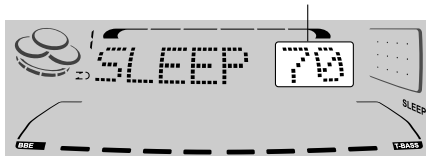
1 Pulse SLEEP.



2 Antes de que pasen 4 segundos, pulse ◀◀ DOWN o ▶▶ UP para especificar el tiempo tras el cual se desconectará la alimentación.

El tiempo cambia entre 5 y 240 minutos en pasos de 5 minutos.

En lugar de **MULTI JOG** también puede utilizarse ◀◀ o ▶▶.



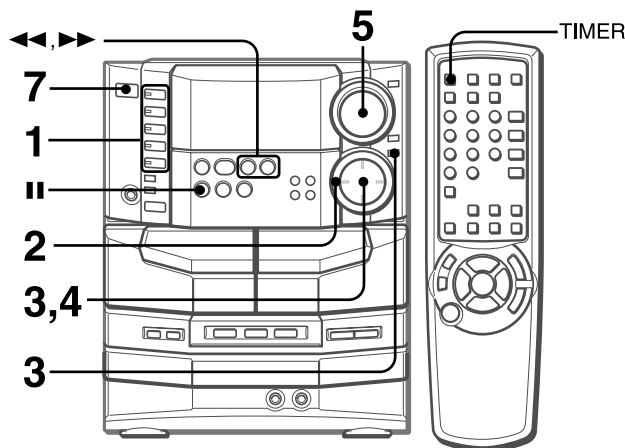
Para comprobar el tiempo restante hasta que se desconecte la alimentación

Pulse una vez **SLEEP**. El tiempo restante se visualizará durante 4 segundos.

Para cancelar el temporizador para dormir

Pulse dos veces **SLEEP** para que "SLEEP OFF" aparezca en el visualizador.

AJUSTE DEL TEMPORIZADOR



La unidad podrá encenderse a la hora especificada todos los días gracias al temporizador incorporado.

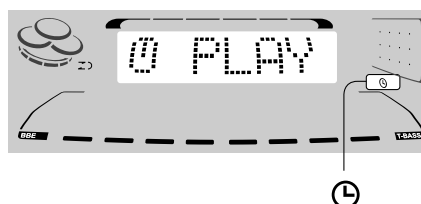
Preparación

Asegúrese de que la hora del reloj sea correcta.

1 Pulse uno de los botones de función para seleccionar una fuente.

2 Pulse repetidamente TIMER hasta que "⌚" aparezca en el visualizador.

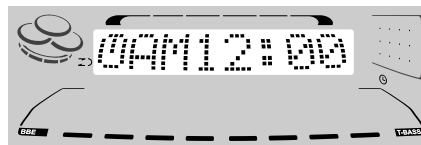
La hora y el nombre de la fuente de sonido parpadean alternativamente.



3 Antes de que pasen 6 segundos, gire MULTI JOG para designar la hora de encendido del temporizador, y luego pulse ENTER o ||.

Al girar **MULTI JOG** cambian las horas y los minutos.

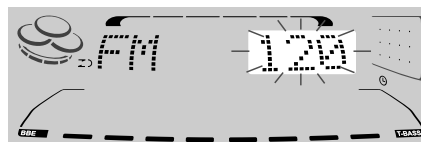
◀◀ o ▶▶ también se encuentra disponible en lugar de **MULTI JOG**. Al mantener pulsados estos botones, la hora cambiará rápidamente.



4 Antes de que pasen 4 segundos, gire MULTI JOG para seleccionar la duración del periodo activado por el temporizador.

La duración puede ajustarse entre 5 y 240 minutos en pasos de 5 minutos.

◀◀ o ▶▶ también podrá utilizarse en lugar de **MULTI JOG**.



La duración se ajustará automáticamente después de 4 segundos. También se ajustará si **ENTER** o **||** se pulsa antes de que pasen 4 segundos después del paso 4.

5 Ajuste el volumen.

El sonido de la fuente se reproducirá al nivel de sonido ajustado en este paso cuando la alimentación sea conectada por el temporizador.

Sin embargo, si el nivel del sonido se ajusta a 21 o más, éste se ajustará automáticamente a 20 cuando se conecte la alimentación.

6 Prepare la fuente.

Para escuchar un disco compacto, cargue el disco que vaya a reproducir en primer lugar en la bandeja 1.

Para escuchar una cinta, inserte la cinta en la platina 1 ó 2.

Para escuchar la radio, seleccione la banda y sintonice una emisora.

7 Pulse POWER para desconectar la alimentación.

Cuando llegue la hora de encendido del temporizador, la unidad se encenderá y la reproducción empezará con la fuente seleccionada.

NOTA

Usted puede cambiar el sonido que fue seleccionado en el paso 1 pulsando uno de los botones de función antes de pulsar **ENTER** o **II** en el paso 3.

Para comprobar el ajuste del temporizador

Pulse **TIMER**.

La hora de encendido del temporizador, la fuente seleccionada y la duración del periodo activado mediante temporizador se visualizarán durante 4 segundos.

Para cambiar cualquiera de los ajustes anteriores

Empiece desde el paso 1.

Sin embargo, si no cambia la hora de encendido del temporizador en el paso 3, pulse dos veces **ENTER** y continúe desde el paso 4.

Para cancelar temporalmente el modo de espera del temporizador

Pulse repetidamente **TIMER** para que desaparezca "⏸".

Para reponer el modo de espera del temporizador, púselo de nuevo para visualizar "⏸".

Utilización de la unidad mientras esté ajustado el temporizador

Podrá utilizar normalmente la unidad después de ajustar el temporizador.

Antes de desconectar la alimentación, realice los pasos 5 y 6.

Para reproducir una fuente exterior mediante el temporizador

Seleccione la fuente apropiada en el paso 1 (consulte "Escucha de fuentes exteriores", en la página 32). El equipo conectado no se podrá encender ni apagar con el temporizador incorporado de esta unidad. Utilice en este caso un temporizador externo.

NOTA

La reproducción y la grabación con temporizador no empezarán si no se desconecta la alimentación.

GRABACION CON TEMPORIZADOR

La grabación con temporizador sólo se aplica a TUNER o a fuentes exteriores analógicas.

Utilice un temporizador exterior para una fuente exterior.

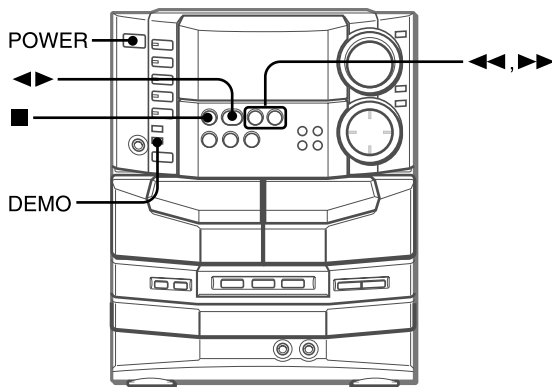
La entrada digital procedente de un equipo exterior no puede grabarse.

Pulse **TUNER/BAND** o **VIDEO1/DVD/AUX** para seleccionar una fuente, y luego **pulse repetidamente TIMER hasta que "⏸ REC" aparezca en el visualizador**. Antes de que pasen 6 segundos, realice los pasos de "AJUSTE DEL TEMPORIZADOR", desde el 3, e inserte la cinta que vaya a grabar en la platina 2 después del paso 6.

NOTA

- Si la grabación con temporizador se realiza con el modo de ahorro de energía (página 7) en "ECO ON" o "ECO AUTO" y la alimentación desconectada, el modo de intensidad de iluminación se pondrá al mínimo y el nivel del sonido será 0 (nivel mínimo) la próxima vez que se conecte la alimentación.
- La función del temporizador no se puede utilizar para grabar un disco compacto o una cinta.
- Podrá comprobar los ajustes del temporizador pulsando **TIMER** incluso estando desconectada la alimentación. En este caso, si pulsa **ENTER** o **II** antes de que pasen 4 segundos después de pulsar **TIMER**, usted podrá entrar en el modo de ajuste del temporizador y cambiar el ajuste anterior.

DEMO (Demostración)



En esta unidad usted podrá disfrutar de dos modos de demostración. Uno es el de *demostración* y el otro el de *demostración del juego*. En el modo de demostración aparece una iluminación colorida en el visualizador.

En el modo de demostración del juego, usted puede jugar con un juego.

Para cambiar entre los dos modos, pulse **POWER** mientras pulsa **DEMO** estando la alimentación desconectada.

Para disfrutar del juego

1 Pulse DEMO estando la unidad encendida o apagada, y tanto si el reloj está puesto en hora como si no.

2 Pulse ◀▶.

En el visualizador empiezan a moverse tres números.

3 Pulse una vez ■.

El número del lado izquierdo se para.

4 Pulse dos veces ■ para detener los dos números restantes.

Puntuación:

Para empezar el juego dispondrá de 20 puntos.

Si todos los números son iguales se añadirán 50 puntos a la puntuación.

Si no son iguales se restará un punto.

Si los puntos ganados llegan a 9999, usted gana.

Si los puntos se reducen a 0, usted pierde.

Para cancelar el juego

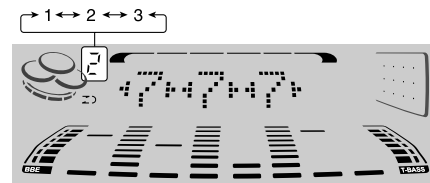
Pulse **DEMO**.

Para reiniciar el juego

Pulse dos veces **DEMO**.

Para cambiar las probabilidades de igualación de los tres números

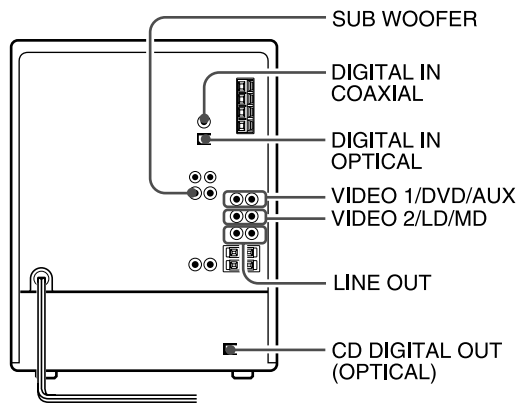
Pulse repetidamente ◀◀ o ▶▶ para seleccionar uno de los tres niveles de probabilidad cuando juegue con la demostración del juego. El indicador del número de bandeja cambia en el visualizador entre 1 y 3. Al aumentar el número de la bandeja (de 1 a 3), más alta será la probabilidad de la igualación.



NOTA

- Mientras juega con el juego, ■, ◀◀, ▶▶ y ◀▶ sólo se encuentran disponibles para el juego. Cancele el juego para utilizar estos botones en funciones tales como la reproducción de un disco compacto, etc.
- Durante el juego, algunos indicadores no relacionados con la operación actual se encienden en el visualizador.
- **DEMO** queda bloqueado durante la grabación y no funciona.
- El juego se cancela automáticamente si el volumen se ajusta mientras la unidad está encendida.
- **DEMO** no puede utilizarse cuando Dolby Digital está activado.

CONEXION DE UN EQUIPO OPCIONAL



Consulte el manual de instrucciones del equipo conectado para tener más detalles.

- Los cables de conexión no han sido suministrados. Obtenga los cables de conexión necesarios.
- Consulte a su concesionario Aiwa local en cuanto al equipo opcional.

TOMAS VIDEO1/DVD/AUX O VIDEO2/LD/MD

Esta unidad puede introducir señales de sonido de entrada analógica a través de estas tomas. Utilice un cable con clavijas fono RCA para conectar un equipo de audio (giradiscos, reproductores LD, reproductores MD, videograbadoras, televisores, etc.).

Conecte la clavija roja a la toma **R** y la clavija blanca a la toma **L**.

- Cuando haya un equipo de audio conectado a las tomas **VIDEO2/LD/MD** y se seleccione esta entrada, no saldrá sonido por las tomas **LINE OUT**.

Quando conecte un giradiscos

Utilice un giradiscos Aiwa equipado con amplificador ecualizador incorporado.

TOMAS LINE OUT

Esta unidad puede dar salida a señales de sonido analógico a través de estas tomas. Utilice un cable con clavijas fonográficas RCA para conectar el equipo de audio a las tomas **LINE IN** (entrada analógica).

Conecte la clavija roja de un cable a **LINE OUT R** y la clavija blanca a **LINE OUT L**.

NOTA

No conecte al mismo tiempo un equipo a las tomas **LINE OUT** y a las tomas **VIDEO1/DVD/AUX** de esta unidad. Esto generará ruidos y podrá causar un fallo en el funcionamiento.

TOMA SUBWOOFER

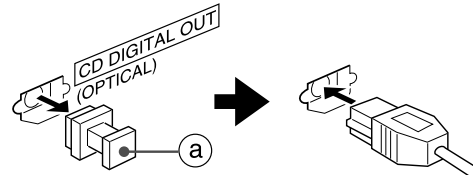
Conecte un altavoz de subgraves opcional con amplificador incorporado a la toma **SUBWOOFER**.

Cambie el modo del altavoz de subgraves (página 22).

TOMA CD DIGITAL OUT (OPTICAL)

Esta unidad puede dar salida a señales de sonido digital de discos compactos a través de esta toma. Utilice un cable óptico para conectar equipos de audio digital (platina de cinta audiodigital, grabadora de minidiscos, etc.).

Quite la tapa contra el polvo (a) de la toma **CD DIGITAL OUT (OPTICAL)**. Luego, conecte la clavija del cable óptico a la toma **CD DIGITAL OUT (OPTICAL)**.



Quando no se utilice la toma **CD DIGITAL OUT (OPTICAL)** Ponga la tapa contra el polvo suministrada.

TOMAS DIGITAL IN

Esta unidad acepta, a través de sus dos tomas **DIGITAL IN**, señales Dolby Digital y señales PCM (señales convencionales de audio digital utilizadas, por ejemplo, en los CDs de audio) procedentes de un equipo digital exterior.

Para hacer la conexión a la toma **DIGITAL IN OPTICAL**, retire la tapa contra el polvo de la toma y utilice el cable óptico opcional. Para hacer la conexión a la toma **DIGITAL IN COAXIAL**, utilice un cable coaxial opcional.

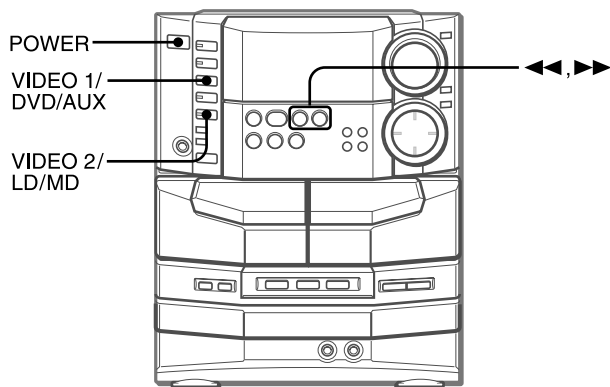
Quando no se utilice la toma DIGITAL IN OPTICAL

Coloque la tapa contra el polvo suministrada.

NOTA

- La señal que entra por una de las tomas **DIGITAL IN**
 - no se visualiza gráficamente en el analizador de espectro
 - no puede grabarse.
- Por estas razones, también le recomendamos que conecte su equipo digital empleando una conexión analógica. La entrada analógica activará el analizador de espectro y permitirá hacer la grabación analógica en 2 canales estéreo en esta unidad. Conecte también a las tomas **VIDEO1/DVD/AUX** el equipo digital conectado a la toma **DIGITAL IN OPTICAL**. Conecte también a las tomas **VIDEO2/LD/MD** el equipo digital conectado a la toma **DIGITAL IN COAXIAL**.
- Para cambiar entre la entrada analógica o digital, consulte "Escucha de fuentes exteriores" (página 32).

ESCUCHA DE FUENTES EXTERIORES



REPRODUCCION DE UNA FUENTE ANALOGICA EXTERIOR

Para hacer la reproducción en el equipo conectado a las tomas **VIDEO1/DVD/AUX** o **VIDEO2/LD/MD**, haga lo siguiente:

1 Seleccione la entrada.

Para reproducir en el equipo conectado a las tomas **VIDEO1/DVD/AUX**, mantenga pulsado **VIDEO1/DVD/AUX**.

Para reproducir en el equipo conectado a las tomas **VIDEO2/LD/MD**, mantenga pulsado **VIDEO2/LD/MD**.

“ANALOG” y “DIGITAL” aparecen alternativamente en el visualizador.

Suelte el botón cuando se muestre “ANALOG”.

La entrada analógica procedente de su equipo se selecciona como fuente.

2 Reproduzca en el equipo conectado.

Para cambiar la visualización del nombre de la fuente

Cuando se seleccione la fuente analógica con **VIDEO1/DVD/AUX**, “VIDEO1” se visualizará inicialmente como el nombre de la fuente. Esto puede cambiarse a “DVD” o “AUX”.

De forma similar, “VIDEO2” se visualiza inicialmente para la fuente analógica seleccionada con **VIDEO2/LD/MD**, pero puede cambiarse a “LD” o “MD”.

Cuando se conecte la alimentación, mantenga pulsado el botón de función deseado (**VIDEO1/DVD/AUX** o **VIDEO2/LD/MD**) y pulse repetidamente **POWER** para seleccionar un nombre.

Para ajustar el nivel del sonido de la fuente exterior

Esta unidad está equipada con un indicador de sobrecarga. Cuando la entrada de señal analógica procedente del equipo conectado sea demasiado alta, “OVERLOAD” se encenderá continuamente en el visualizador.

Cuando suceda esto, o cuando el nivel del sonido de la fuente exterior sea muy inferior al de otras fuentes, ajústelo de la forma siguiente.

1 Mantenga pulsado **VIDEO1/DVD/AUX** o **VIDEO2/LD/MD** para seleccionar la entrada analógica y haga la reproducción en el equipo.

2 Pulse **◀◀** o **▶▶** para que el nivel del sonido sea el mismo que el de las otras fuentes.

NOTA

- Durante la grabación, el nivel del sonido no podrá ajustarse.
- Sólo puede ajustarse el nivel de sonido de las fuentes exteriores analógicas. Si se pulsa **◀◀** o **▶▶** cuando está seleccionada una fuente exterior digital, el nivel del sonido para la fuente exterior analógica correspondiente cambiará.

REPRODUCCION DE UNA FUENTE DIGITAL EXTERIOR

Para hacer la reproducción en el equipo conectado a la toma **DIGITAL IN OPTICAL** o a la toma **DIGITAL IN COAXIAL**, haga lo siguiente:

1 Seleccione la entrada.

Para reproducir en el equipo conectado a la toma **DIGITAL IN OPTICAL**, mantenga pulsado **VIDEO1/DVD/AUX**.

Para reproducir en el equipo conectado a la toma **DIGITAL IN COAXIAL**, mantenga pulsado **VIDEO2/LD/MD**.

“ANALOG” y “DIGITAL” aparecen alternativamente en el visualizador.

Suelte el botón cuando se muestre “DIGITAL”.

El indicador **DIGITAL** se enciende en el visualizador, y la entrada digital procedente de su equipo se selecciona como fuente.

2 Reproduzca en el equipo conectado.

Para reproducir programas Dolby Digital

Esta unidad está equipada con un descodificador Dolby Digital. Usted puede disfrutar en su propio hogar de un sonido con la misma calidad que la de un cine si reproduce programas Dolby Digital en un equipo compatible conectado digitalmente a esta unidad.

Para reproducir programas Dolby Digital, consulte la sección “Dolby Surround” (páginas 21 a 24).

NOTA

- Esta unidad es compatible con señales de flujo de bits Dolby Digital, y con señales PCM lineales con una frecuencia de muestreo de 32 kHz, 44,1 kHz o 48 kHz. Esta unidad no puede reproducir programas cuya frecuencia de muestreo sea de 96 kHz.
- Algunos reproductores DVD conectados digitalmente a esta unidad pueden causar ruido al realizar algunas de sus operaciones como, por ejemplo, la búsqueda en un disco, el salto de un capítulo, etc.

CUIDADOS Y MANTENIMIENTO

El mantenimiento y el cuidado ocasional de la unidad y del software resultan necesarios para optimizar las prestaciones de su unidad.

Para limpiar la caja

Utilice un paño blando y seco.

Si las superficies están muy sucias, utilice un paño blando humedecido un poco en una solución de detergente suave. No utilice disolventes fuertes tales como alcohol, bencina o diluyente porque éstos podrán estropear el acabado de la unidad.

Para limpiar las cabezas magnetofónicas

Cuando las cabezas magnetofónicas estén sucias:

- el sonido de alta frecuencia no se emitirá
- el sonido no alcanzará la altura adecuada
- el sonido estará desequilibrado
- la cinta no podrá borrarse
- no podrá grabarse en la cinta

Después de cada 10 horas de utilización, limpie las cabezas magnetofónicas con un casete de limpieza de cabezas.

Consulte las instrucciones del casete de limpieza para conocer detalles.

Para desmagnetizar las cabezas magnetofónicas

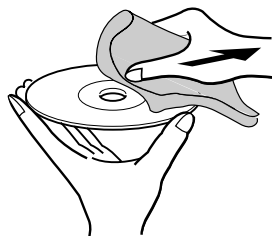
Las cabezas magnetofónicas puede magnetizarse después de utilizarlas durante mucho tiempo. Esto puede reducir la gama de salida de las cintas grabadas y aumentar el ruido.

Después de 20 a 30 horas de utilización, desmagnetice las cabezas magnetofónicas con un casete desmagnetizador vendido por separado.

Consulte las instrucciones del casete desmagnetizador para conocer más detalles.

Cuidados de los discos

- Cuando se ensucie un disco, límpielo pasando un paño de limpieza desde el centro hacia afuera.



- Después de reproducir un disco, guárdelo en su caja. No deje los discos en lugares calientes o húmedos.

Cuidados de las cintas

- Guarde las cintas en sus cajas después de utilizarlas.
- No deje las cintas cerca de imanes, motores, televisores o cualquier otra fuente de magnetismo. Esto reducirá la calidad del sonido y causará ruido.
- No esponga las cintas a la luz directa del sol, ni las deje en el interior de un automóvil estacionado bajo la luz directa del sol.

GUIA PARA LA SOLUCION DE PROBLEMAS

Si la unidad no funciona como se describe en este manual de instrucciones, compruebe la guía siguiente:

GENERALIDADES

No hay sonido.

- ¿Está correctamente conectado el cable de alimentación de CA?
- ¿Hay alguna conexión mal hecha? (→ página 4)
- Puede haber un cortocircuito en los terminales de los altavoces.
 - Desconecte el cable de alimentación de CA y luego corrija las conexiones de los altavoces.
- ¿Se ha pulsado un botón de función equivocado?

Sólo sale sonido de un altavoz.

- ¿Está el otro altavoz desconectado?

La salida de sonido no es estéreo.

- ¿Está activada la función de Karaoke? (→ página 25)

Se produce una visualización errónea o un mal funcionamiento.

→ Vuelva a ajustar la unidad como se indica más abajo.

La unidad se apaga cuando se desconecta la alimentación.

- ¿Está el modo de ahorro de energía en "ECO ON" o "ECO AUTO"? (→ página 7)

La alimentación no se conecta.

→ Desconecte el cable de alimentación y vuelva a conectarlo después de pasar unos pocos segundos.

SECCION DEL SINTONIZADOR

Hay un ruido de estática constante en forma de onda.

- ¿Está conectada correctamente la antena? (→ página 5)
- ¿Es débil la señal?
 - Conecte una antena exterior.

La recepción tiene interferencia o el sonido está distorsionado.

- ¿Capta el sistema ruidos externos o distorsión de múltiples trayectorias?
 - Cambie la orientación de la antena.
 - Separe la unidad de otros aparatos eléctricos.

SECCION DE LA PLATINA

La cinta no se mueve.

- ¿Está la platina 2 en el modo de pausa? (→ página 13)

El sonido está desequilibrado o no alcanza la altura suficiente.

- ¿Está sucia la cabeza de reproducción? (→ explicado anteriormente)

No es posible grabar.

- ¿Está rota la lengüeta de prevención contra borrado? (→ página 14)
- ¿Está sucia la cabeza de grabación? (→ explicado anteriormente)

No es posible borrar.

- ¿Está sucia la cabeza de borrado? (→ explicado anteriormente)
- ¿Está utilizándose una cinta de metal?

No se emite sonido de alta frecuencia.

- ¿Está sucia la cabeza de grabación/reproducción? (→ explicado anteriormente)

SECCION DEL REPRODUCTOR DE DISCOS COMPACTOS

El reproductor de discos compactos no puede reproducir.

- ¿Está bien puesto el disco? (→ página 15)
- ¿Está sucio el disco? (→ explicado anteriormente)
- ¿Afecta la condensación a la lente?
 - Espere una hora aproximadamente y pruebe otra vez.

Para reajustar la unidad

Si se produce alguna condición extraña en el visualizador o en las platinas de casete, reajuste la unidad de la forma siguiente.

- 1 Pulse **POWER** para desconectar la alimentación.
- 2 Pulse **POWER** para volver a conectar la alimentación mientras pulsa **CLEAR**. Todo lo que haya sido almacenado en la memoria después de haber adquirido la unidad se borrará.

Si no puede desconectarse la alimentación en el paso 1 debido a algún mal funcionamiento, reajuste la unidad desconectando el cable de alimentación de CA y conectándolo de nuevo. Luego ejecute el paso 2.

ESPECIFICACIONES

Unidad principal CX-NDS8

Sección del sintonizador de FM

Gama de sintonización	87,5 MHz a 108 MHz
Sensibilidad útil (IHF)	13,2 dBf
Terminales de antena	75 ohmios (desequilibrada)

Sección del sintonizador de AM

Gama de sintonización	530 kHz a 1710 kHz (pasos de 10 kHz) 531 kHz a 1602 kHz (pasos de 9 kHz)
Sensibilidad útil	350 µV/m
Antena	Antena de cuadro

Sección del amplificador

Amplificador de media-alta frecuencia

Potencia de salida	Delantera 30 W + 30 W (200 Hz – 20 kHz, distorsión armónica total inferior al 1%, 8 ohmios)
Distorsión armónica total	0,1 % (25 W, 1 kHz, 8 ohmios, DIN AUDIO)

Amplificador de baja frecuencia

Potencia de salida	90 W + 90 W (50 Hz – 200 Hz, distorsión armónica total inferior al 1%, 6 ohmios)
Distorsión armónica total	0,1 % (75 W, 120 Hz, 6 ohmios, DIN AUDIO)

Altavoces traseros (sonido ambiental)

33 W + 33 W (1 kHz, distorsión armónica total inferior al 1%, 8 ohmios)

Altavoz central

34 W (1 kHz, distorsión armónica total inferior al 1%, 8 ohmios)

Entradas

VIDEO1/DVD/AUX:
316 mV (ajustable)
VIDEO2/LD/MD:
316 mV (ajustable)
MIC 1, MIC 2: 1 mV (10 kohmios)
DIGITAL IN

COAXIAL (VIDEO 2)

OPTICAL (VIDEO 1)

Acepta señales PCM lineales (32 kHz, 44,1 kHz y 48 kHz) y flujo de bits Dolby Digital

Salidas

SPEAKERS LOW FREQ:
Acepta altavoces de 6 ohmios o más

SPEAKERS HIGH FREQ:
Acepta altavoces de 8 ohmios o más

SURROUND SPEAKERS:
acepta altavoces de 8 ohmios a 16 ohmios

CENTER SPEAKER: acepta altavoces de 8 ohmios o más

SUBWOOFER: 5 V

LINE OUT: 210 mV

PHONES (toma estéreo): acepta auriculares de 32 ohmios o más

Sección de la platina de cassetes

Formato de pistas	4 pistas, 2 canales estéreo
Respuesta de frecuencia	Cinta de CrO ₂ : 50 Hz–16000 Hz Cinta normal: 50 Hz–15000 Hz
Sistema de grabación	Polarización de CA
Cabezas	Platina 1: 1 cabeza de reproducción Platina 2: 1 cabeza de grabación/reproducción, 1 cabeza de borrado

Sección del reproductor de discos compactos

Láser	Láser de semiconductor ($\lambda = 780$ nm)
Convertidor D-A	1 bit doble
Relación señal a ruido	85 dB (1 kHz, 0 dB)
Distorsión armónica	0,05% (1 kHz, 0 dB)
Fluctuación y trémolo	No se puede medir

Generalidades

Alimentación	120 V CA, 60 Hz
Consumo	225 W
Consumo en el modo de espera	Si el modo de ahorro de energía es ECO OFF: 42 W Si el modo de ahorro de energía es ECO ON o ECO AUTO: 0,9 W
Dimensiones (An × Al × Prof)	260 × 329 × 389,6 mm
Peso	12,5 kg

Sistema de altavoces SX-WNAJ86

Sistema de altavoces	3 vías, altavoz de subgraves incorporado (tipo de blindaje antimagnético)
Unidades de Altavoces	Altavoz de subgraves: Tipo cónico de 200 mm Gama completa: Tipo cónico de 120 mm Altavoz para superagudos: Tipo cerámico de 20 mm
Impedancia	6 ohmios/8 ohmios
Sensibilidad	87 dB/W/m
Dimensiones (An × Al × Prof)	240 × 324 × 285 mm
Peso	6,0 kg

Las especificaciones y apariencia exterior están sujetas a cambios sin previo aviso.

DOLBY DIGITAL/DOLBY PRO LOGIC

Fabricados con licencia de Dolby Laboratories. "Dolby", "Pro Logic", y el símbolo de la doble D son marcas comerciales de Dolby Laboratories. Trabajos no publicados confidenciales. ©1992-1997 Dolby laboratories, Inc. Reservados todos los derechos.

BBE SYSTEM

La sigla "BBE" y el símbolo "BBE" son marcas registradas de BBE Sound, Inc. Bajo licencia de BBE Sound, Inc.

COPYRIGHT (DERECHOS DE AUTOR)

Consulte las leyes del copyright, relacionadas con las grabaciones de discos, de la radio o de cintas, que se encuentran vigentes en el país en el que se utiliza la unidad.

AVERTISSEMENT

POUR REDUIRE LE RISQUE DE COURT-CIRCUIT OU DE CHOC ELECTRIQUE, NE PAS EXPOSER CET APPAREIL A LA PLUIE OU A L'HUMIDITE.



Signification des symboles graphiques:



L'éclair portant une flèche, situé dans un triangle équilatéral, sert à prévenir l'utilisateur de la présence d'une "tension dangereuse" non isolée à l'intérieur de l'appareil, assez élevée pour constituer un risque d'électrocution.




Le point d'exclamation situé dans un triangle équilatéral sert à prévenir l'utilisateur de la présence d'instructions importantes concernant l'utilisation et l'entretien (ou la réparation) de l'appareil dans le manuel qui accompagne ce dernier.

PRECAUTIONS

Lire le mode d'emploi attentivement et complètement avant d'utiliser l'appareil. Garder le mode d'emploi pour toute référence future. Tous les avertissements et toutes les précautions donnés dans le mode d'emploi et sur l'appareil doivent être suivis à la lettre, aussi bien que les suggestions de sécurité suivantes.

Installation

- 1 Eau et humidité** — Ne pas utiliser cet appareil près d'eau, comme près d'une baignoire, d'une cuvette, d'une piscine ou autre.
- 2 Chaleur** — Ne pas utiliser cet appareil près de sources de chaleur, comme sorties de chauffage, poêles ou autres appareils qui dégagent de la chaleur. L'appareil ne doit pas être soumis à des températures inférieures à 5°C ou supérieures à 35°C.
- 3 Surface d'utilisation** — Poser l'appareil sur une surface plate et lisse.
- 4 Ventilation** — L'appareil doit être positionné avec un espace suffisant autour afin d'assurer une dissipation adéquate de la chaleur. Laisser un espace de 10 cm derrière et dessus l'appareil, et un espace de 5 cm de chaque côté.
 - Ne pas mettre l'appareil sur un lit, un tapis ou sur une surface similaire qui pourrait obstruer les orifices de ventilation.
 - Ne pas mettre l'appareil dans une bibliothèque, un coffret ou un meuble complètement fermé où l'aération serait insuffisante.
- 5 Entrée d'objets et de liquide** — Faire attention à ce que aucun corps étranger ou liquide ne pénètre dans l'appareil pas les orifices de ventilation.
- 6 Chariot et support** — Si l'appareil est posé ou monté sur un support ou un chariot, déplacer ce dernier avec précaution. Les arrêts brusques, une force excessive et les surfaces inégales peuvent provoquer le renversement ou la chute de l'appareil et du chariot. 
- 7 Condensation** — De la condensation peut se former sur la lentille du capteur du lecteur de disques compacts quand:
 - l'appareil est déplacé d'un endroit froid à un endroit chaud.
 - le chauffage vient juste d'être mis en marche.
 - l'appareil est utilisé dans une pièce très humide.
 - l'appareil est refroidi par un climatiseur.
 S'il y a de la condensation à l'intérieur de cet appareil, il risque de ne pas fonctionner correctement. Le cas échéant, laisser l'appareil pendant quelques heures, puis essayer de nouveau de l'utiliser.
- 8 Fixation à un mur ou un plafond** — L'appareil ne doit pas être fixé à un mur ou un plafond, à moins que ce ne soit spécifié dans le mode d'emploi.

Energie électrique

- 1 Alimentations électriques** — Brancher cet appareil uniquement aux alimentations électriques spécifiées dans le mode d'emploi, et comme indiqué sur l'appareil.
- 2 Polarisation** — Comme mesure de sécurité, certains appareils sont munis de fiches polarisées d'alimentation secteur qui ne peuvent être introduites que dans un sens dans une prise de courant. S'il est difficile ou impossible d'insérer la fiche d'alimentation secteur dans une prise, retourner la fiche et essayer de nouveau. Si l'on ne peut toujours pas insérer la fiche dans la prise, s'adresser à un électricien qualifié pour faire réparer ou changer la prise. Afin de ne pas annuler la sécurité de la fiche polarisée, ne pas insérer cette fiche en force dans une prise.
- 3 Cordon d'alimentation secteur**
 - Pour débrancher le cordon d'alimentation secteur, le tirer par sa fiche. Ne pas tirer sur le cordon proprement dit.
 - Ne jamais tenir la fiche d'alimentation secteur avec les mains mouillées, cela pourrait se traduire par un court-circuit ou un choc électrique.
 - Les cordons d'alimentation doivent être installés de manière à ne pas être pliés, pincés ou piétinés. Faire particulièrement attention au cordon allant de l'appareil à la prise de courant.
 - Eviter de surcharger les prises d'alimentation et les rallonges au-delà de leur capacité, cela pourrait se traduire par un incendie ou un choc électrique.

4 Rallonge — Afin d'éviter tout choc électrique, ne pas utiliser une fiche polarisée d'alimentation secteur avec une rallonge ou une prise si cette fiche ne peut pas être insérée complètement de manière que ses lames ne soient pas exposées.

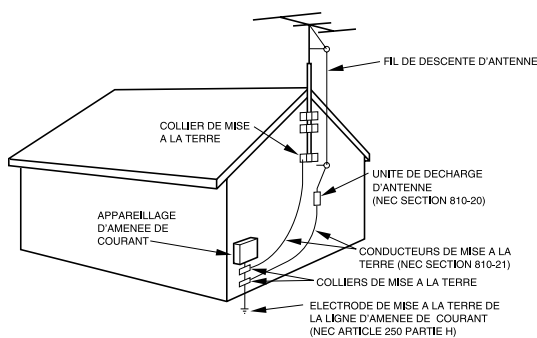
5 Périodes de non-utilisation — Débrancher le cordon d'alimentation secteur de la prise de courant si l'appareil ne doit pas être utilisé pendant plusieurs mois ou plus. Quand le cordon est branché, un courant de faible intensité continue de circuler dans l'appareil même si l'alimentation est coupée.

Antenne extérieure

1 Lignes d'amenée de courant — Quand on branche une antenne extérieure, s'assurer qu'elle est située à l'écart de toute ligne d'amenée de courant.

2 Mise de l'antenne extérieure à la terre — Afin d'assurer une protection contre toute impulsion de tension et contre toute accumulation d'électricité statique, s'assurer que l'antenne est correctement mise à la terre. L'article 810 du code national d'électricité (NEC), ANSI/NFPA 70, fournit des informations au sujet de la mise à la terre du mât, de la structure de support et du conducteur arrivant à l'unité de décharge d'antenne et au sujet des dimensions des conducteurs de mise à la terre, de la connexion aux électrodes de mise à la terre et des exigences concernant ces électrodes.

Mise à la terre d'une antenne selon le code national d'électricité (NEC)



NEC: CODE NATIONAL D'ELECTRICITE

Entretien

Nettoyer l'appareil uniquement comme recommandé dans le mode d'emploi.

Domage nécessitant une réparation

S'adresser à un technicien qualifié pour faire réparer l'appareil si:

- Le cordon ou la fiche d'alimentation secteur de l'appareil est endommagé
- Tout corps étranger ou liquide est entré dans l'appareil
- L'appareil a été exposé à la pluie ou à de l'eau
- L'appareil ne semble pas fonctionner normalement
- L'appareil présente un changement notable de performances
- L'appareil a subi un choc, ou son coffret a été endommagé

N'ESSAYEZ PAS DE REPARER L'APPAREIL VOUS-MEME.

Contrôler la chaîne et les accessoires.

NSX-DS8

- CX-NDS8 Récepteur magnétocassette lecteur de disques compacts stéréo
- SX-WNAJ86 Enceintes avant
- SX-R275 Enceintes surround
- SX-C605 Enceinte centrale

Télécommande

Antenne AM

Antenne FM

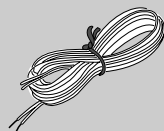
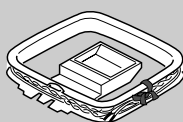


TABLE DES MATIERES

PRECAUTIONS 2

PREPARATIONS

CONNEXIONS 4
 TELECOMMANDE 6
 AVANT L'UTILISATION 7
 REGLAGE DE L'HORLOGE 8

SON

REGLAGES AUDIO 8
 EGALISEUR GRAPHIQUE 9
 DSP SURROUND 11

RECEPTION RADIO

ACCORD MANUEL 12
 MEMORISATION DE STATIONS 12

LECTURE DE CASSETTES

OPERATIONS DE BASE 13
 LECTURE CONTINUE 14

LECTURE DE DISQUES COMPACTS

OPERATIONS DE BASE 15
 LECTURE PROGRAMMEE 16

ENREGISTREMENT

ENREGISTREMENT DE BASE 17
 DUPLICATION MANUELLE D'UNE CASSETTE 18
 DUPLICATION DE LA TOTALITE D'UNE CASSETTE 18
 ENREGISTREMENT AVEC MONTAGE ET
 CALCUL DU TEMPS 19
 ENREGISTREMENT AVEC MONTAGE
 PROGRAMME 20

DOLBY SURROUND

LECTURE AVEC SON DOLBY SURROUND 21
 BALANCE DES NIVEAUX DES ENCEINTES
 ET AUTRES REGLAGES 23

KARAOKE

MIXAGE AVEC MICROPHONE 25
 PROGRAMME DE KARAOKE 27

MINUTERIE

REGLAGE DE LA MINUTERIE D'ARRET 28
 REGLAGE DE LA MINUTERIE 28

AUTRES CARACTERISTIQUES

DEMO (Démonstration) 30

AUTRES CONNEXIONS

CONNEXION D'UN APPAREIL OPTIONNEL 31
 ECOUTE DE SOURCES EXTERNES 32

GENERALITES

SOINS ET ENTRETIEN 33
 EN CAS DE PROBLEME 33
 SPECIFICATIONS 34

NOMENCLATURE Couverture du dos



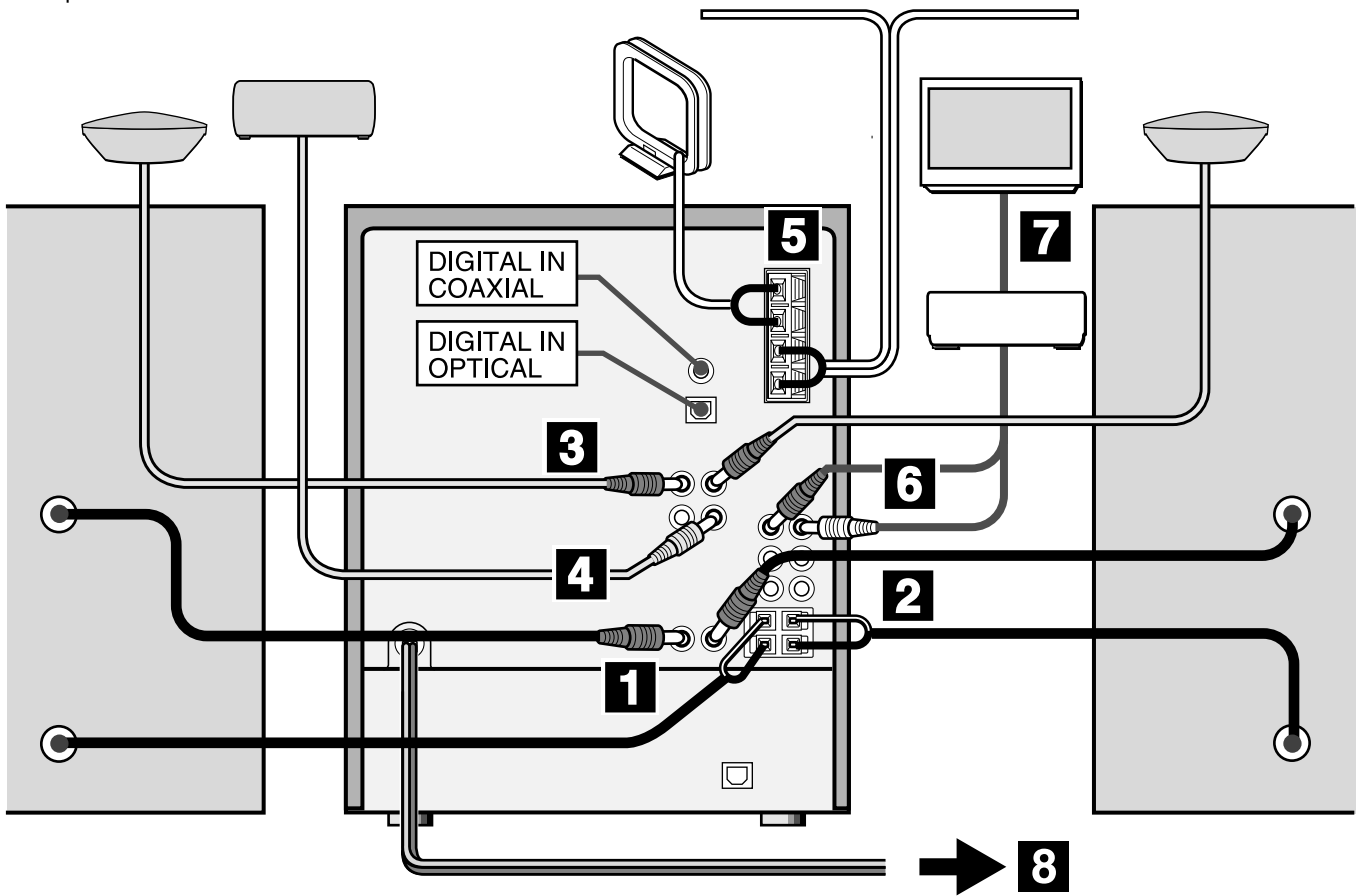
CONNEXIONS

Avant de brancher le cordon secteur

La tension nominale d'alimentation de l'appareil, indiquée au dos de ce dernier, est de 120 V. S'assurer que cette tension nominale correspond à celle du secteur local.

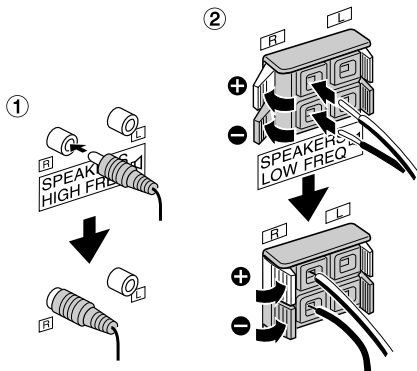
IMPORTANT

Commencer par connecter les enceintes, les antennes et tout appareil optionnel. Brancher le cordon secteur en dernier.



1 Connecter l'enceinte droite à l'appareil principal.

- ① Connecter le cordon d'enceinte muni d'une fiche à la borne **SPEAKERS HIGH FREQ R**.
- ② Connecter le cordon d'enceinte rayé de blanc à la borne **SPEAKERS LOW FREQ R** (+) et le cordon noir à la borne (-).

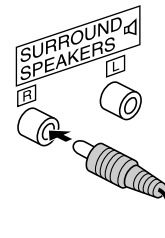


2 Connecter l'enceinte gauche à l'appareil principal.

Connecter le cordon d'enceinte muni d'une fiche à la borne **SPEAKERS HIGH FREQ L** et l'autre cordon d'enceinte aux bornes **SPEAKERS LOW FREQ L** de la même manière qu'à l'étape 1.

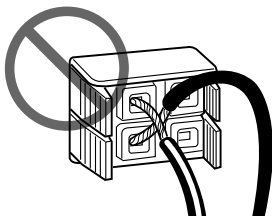
3 Connecter les enceintes surround.

Connecter les cordons d'enceinte surround aux bornes **SURROUND SPEAKERS**.



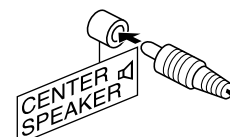
REMARQUE

• Veiller à connecter les cordons d'enceinte correctement. Des connexions incorrectes peuvent provoquer des courts-circuits dans les bornes **SPEAKERS**.



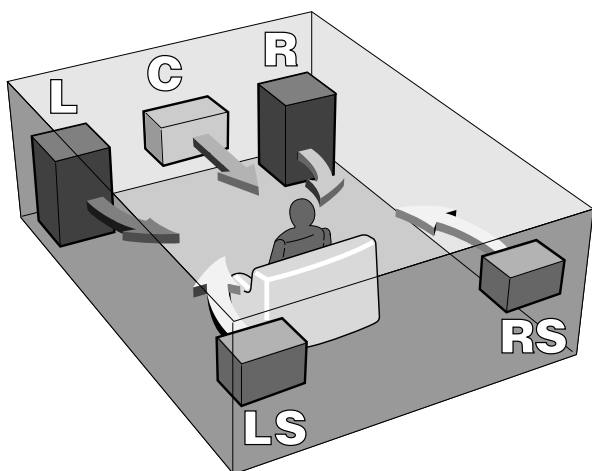
4 Connecter l'enceinte centrale.

Connecter le cordon de l'enceinte centrale à la borne **CENTER SPEAKER**.



POSITIONNEMENT DES ENCEINTES

Pour obtenir les meilleurs effets possibles du système Dolby Digital ou Dolby Pro Logic, il est important de positionner les enceintes correctement. Se reporter à l'illustration suivante pour trouver le meilleur emplacement dans votre salle.



L&R: Enceintes avant

C: Enceinte centrale

Positionner cette enceinte au milieu des deux enceintes avant. En plus, si on branche un téléviseur à la chaîne, positionner l'enceinte centrale sur ou sous ce téléviseur.

LS&RS: Enceintes surround

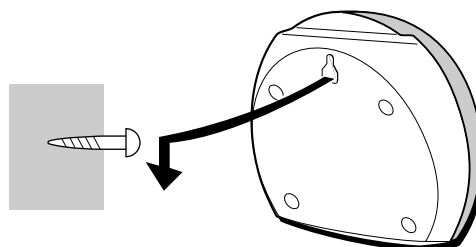
Mettre les enceintes surround directement sur les côtés de la zone d'écoute ou légèrement derrière cette zone. Les aligner horizontalement, à environ un mètre au-dessus de la hauteur des oreilles.

REMARQUE

Le son sorti par l'enceinte centrale et les enceintes surround est seulement disponible quand le système Dolby Digital, le système Dolby Pro Logic ou le système DSP Surround est activé avec le réglage approprié.

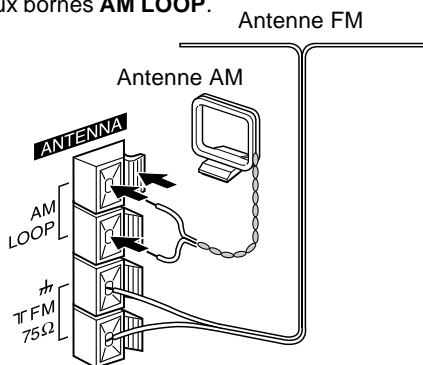
Pour fixer les enceintes surround à un mur

Fixer chaque enceinte à un endroit qui peut supporter son poids.



5 Connecter les antennes fournies.

Connecter l'antenne FM aux bornes **FM 75 Ω** et l'antenne AM aux bornes **AM LOOP**.



6 Connecter le dispositif vidéo (lecteur de DVD, lecteur de LD, magnétoscope, etc.)

Si le dispositif vidéo utilisé possède une prise OPTICAL OUT:

A l'aide d'un cordon de connexion audio à fiches RCA optionnel, connecter les prises AUDIO OUT du dispositif vidéo aux prises **VIDEO1/DVD/AUX** de cet appareil (fiche rouge à la prise R, fiche blanche à la prise L).

A l'aide d'un cordon de connexion optique optionnel, connecter la prise OPTICAL OUT du dispositif vidéo à la prise **DIGITAL IN OPTICAL (VIDEO 1)** de cet appareil.

Si le dispositif vidéo utilisé possède une prise COAXIAL OUT:

A l'aide d'un cordon de connexion audio à fiches RCA optionnel, connecter les prises AUDIO OUT du dispositif vidéo aux prises **VIDEO2/LD/MD** de cet appareil (fiche rouge à la prise R, fiche blanche à la prise L).

A l'aide d'un cordon de connexion coaxial optionnel, connecter la prise COAXIAL OUT du dispositif vidéo à la prise **DIGITAL IN COAXIAL (VIDEO 2)** de cet appareil.

REMARQUE

• L'entrée à la prise **DIGITAL IN OPTICAL** se sélectionne avec la touche **VIDEO1/DVD/AUX**, tandis que l'entrée à la prise **DIGITAL IN COAXIAL** se sélectionne avec la touche **VIDEO2/LD/MD** (voir la partie "Écoute de sources externes", page 32). Selon le type de connexion numérique, la connexion analogique doit par conséquent être faite aux prises d'entrée portant les mêmes noms que ces touches, comme décrit plus haut. L'illustration représente la connexion aux prises **VIDEO1/DVD/AUX**.

• Si le dispositif vidéo utilisé possède des prises OPTICAL et COAXIAL OUT, choisir l'une ou l'autre des méthodes de connexion décrites.

• Lors de la connexion d'un lecteur de LD via sa prise AC-3 RF OUT, utiliser un démodulateur H.F. pour séparer les signaux vidéo analogiques et les signaux audio numériques. Se reporter au mode d'emploi du lecteur de LD.

Si le dispositif vidéo utilisé ne possède pas de prise de sortie numérique:

A l'aide d'un cordon de connexion audio à fiches RCA optionnel, connecter les prises AUDIO OUT du dispositif vidéo aux prises **VIDEO1/DVD/AUX** de cet appareil (fiche rouge à la prise R, fiche blanche à la prise L).

7 Connecter le téléviseur à l'appareil vidéo.

Pour plus de détails, voir le mode d'emploi de l'appareil connecté.

8 Brancher le cordon secteur à une prise de courant.

Le mode DEMO démarre la première fois que l'on branche le cordon secteur à une prise de courant. Pour désactiver le mode DEMO, régler l'horloge.

REMARQUE

- Ne pas laisser d'objets produisant un champ magnétique, tels que des cartes de crédit, près des enceintes; ils pourraient être endommagés.
- Ne pas mettre l'antenne FM près d'objets métalliques ou de tringles à rideaux.
- Ne pas mettre l'antenne AM près d'un appareil optionnel, de la chaîne stéréo proprement dite, du cordon secteur ou des cordons d'enceinte; elle capterait des parasites.
- Ne pas dérouler le fil de l'antenne AM.

Pour positionner les antennes

Antenne FM intérieure:

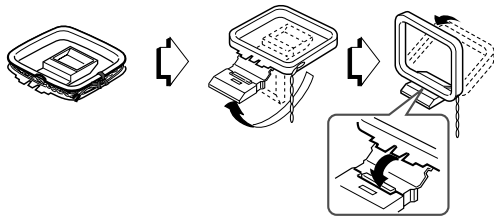
Déployer cette antenne horizontalement selon la forme d'un T et fixer ses extrémités à un mur.

Antenne AM:

Positionner et orienter cette antenne de manière à obtenir la meilleure réception possible.

Pour poser l'antenne AM sur une surface

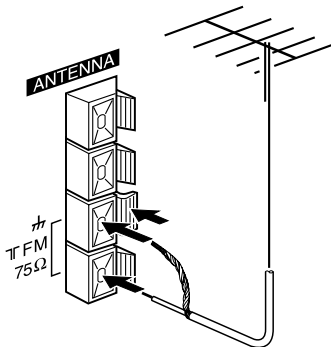
Fixer la griffe dans la rainure.



CONNEXION D'UNE ANTENNE EXTERIEURE

Pour obtenir une meilleure réception FM, il est recommandé d'utiliser une antenne FM extérieure.

Connecter l'antenne extérieure aux bornes **FM 75 Ω**.

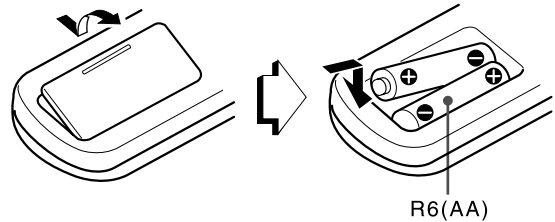


Pour connecter un autre appareil optionnel → page 31.

TELECOMMANDE

Mise en place des piles

Enlever le couvercle des piles du dos de la télécommande et mettre deux piles R6 (taille AA) en place.



Quand remplacer les piles

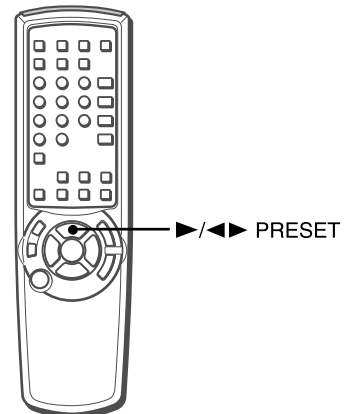
La distance maximale de fonctionnement entre la télécommande et le capteur situé sur l'appareil principal doit être d'environ cinq mètres. Lorsque cette distance diminue, remplacer les piles par des neuves.

Utilisation de la télécommande

Les instructions données dans ce manuel concernent principalement les touches de l'appareil principal. Les touches de la télécommande portant les mêmes noms que celles de l'appareil principal peuvent également être utilisées.

▶/◀ PRESET de la télécommande

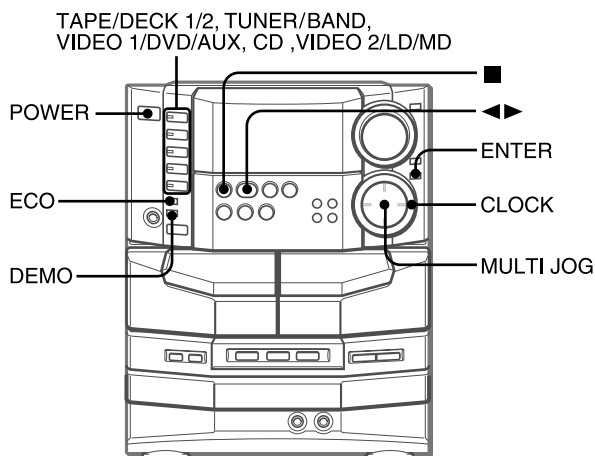
La fonction est la même que celle de ◀▶ de l'appareil principal.



REMARQUE

- Si la télécommande ne doit pas être utilisée pendant longtemps, enlever les piles pour éviter tout risque de fuite d'électrolyte.
- La télécommande risque de ne pas fonctionner correctement quand:
 - l'espace entre la télécommande et le capteur situé sur la fenêtre d'affichage est exposé à une lumière intense, comme le soleil.
 - d'autres télécommandes (téléviseur, etc.) sont utilisées à proximité.

AVANT L'UTILISATION



Pour mettre sous tension

Appuyer sur une des touches de fonction (**TAPE/DECK 1/2**, **TUNER/BAND**, **VIDEO1/DVD/AUX**, **CD**, **VIDEO2/LD/MD**). La lecture du disque compact ou de la cassette en place commence, ou la station écoutée en dernier est reçue (fonction de lecture directe).

On peut aussi appuyer sur **POWER**.

REMARQUE

Lors de la mise sous tension, le compartiment à disques peut s'ouvrir et se fermer pour réinitialiser l'appareil.

Pour mettre hors tension

Appuyer sur **POWER**.

DEMO (Démonstration)

La première fois que le cordon secteur est branché à une prise de courant après l'achat, le mode DEMO démarre sur l'affichage. Quand on met l'appareil sous tension, le mode DEMO s'arrête. Quand on met l'appareil hors tension, le mode DEMO redémarre. Une fois que l'horloge est réglée, le mode DEMO ne démarre pas quand l'appareil est mis hors tension.

Pour désactiver ou activer le mode DEMO

Appuyer sur **DEMO** à plusieurs reprises.

(Pour plus de détails au sujet du mode DEMO, voir page 30.)

MISE EN SERVICE DU MODE ECONOMIE D'ENERGIE

Quand on règle le mode économie d'énergie sur "ECO ON" ou "ECO AUTO", l'appareil diminue sa consommation électrique en effectuant les quatre opérations ECO décrites ci-dessous.

ECO ON

- L'appareil (tout l'éclairage de l'affichage et des touches) s'éteint quand l'alimentation est coupée. Seul le témoin rouge s'allume.
- Si DIMMER (1 - 3) est sélectionné, l'éclairage de l'affichage et des touches s'allume pendant dix secondes seulement quand on appuie sur une touche ou quand on tourne **VOLUME** ou **MULTI JOG**.
- Le mode de luminosité de l'affichage est réglé sur le niveau minimal, l'éclairage des touches s'éteint et le volume est réglé sur le minimum (0) quand l'appareil se met sous tension du fait de l'enregistrement commandé par minuterie.

ECO AUTO

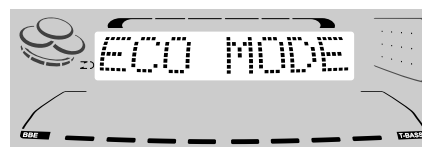
- En plus des trois opérations de ECO ON, l'appareil se met automatiquement hors tension si on ne l'utilise pas et si la source sonore est muette pendant dix minutes, sauf quand une entrée numérique externe est sélectionnée.

ECO OFF

Le mode économie d'énergie ne fonctionne pas.

1 Appuyer sur ECO.

"ECO MODE" est affiché.

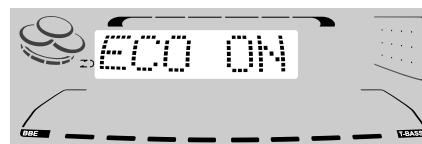


2 Appuyer sur ENTER dans les quatre secondes.

Le statut courant du mode économie d'énergie est affiché.

3 Tourner MULTI JOG dans les quatre secondes pour sélectionner un des modes d'économie d'énergie.

Exemple: Quand "ECO ON" est sélectionné



4 Appuyer sur ENTER dans les quatre secondes.

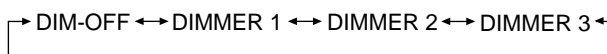
REMARQUE

Si l'horloge n'est pas réglée, l'appareil ne s'éteint pas. Au lieu de cela, le mode DEMO démarre quand l'alimentation est coupée.

MODE VARIATEUR

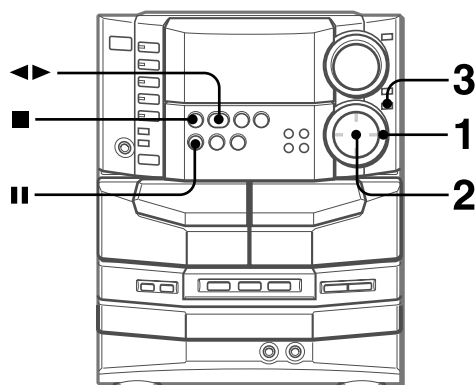
Pour changer la luminosité de l'affichage

- 1 Appuyer sur **ECO** à plusieurs reprises jusqu'à ce que "DIM MODE" soit affiché.
- 2 Dans les quatre secondes, appuyer sur **ENTER**.
- 3 Dans les quatre secondes, tourner **MULTI JOG** pour sélectionner un des modes de luminosité changés de manière cyclique comme indiqué plus bas.
- 4 Dans les quatre secondes, appuyer sur **ENTER**.



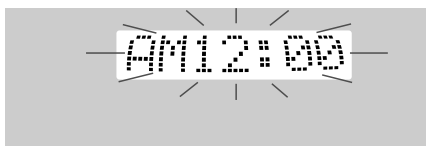
Le mode "DIM-OFF" est le plus lumineux et le mode "DIMMER 3" est le plus sombre. En mode "DIMMER 3", l'analyseur de spectre et l'éclairage des touches s'éteignent.

REGLAGE DE L'HORLOGE



1 Appuyer sur CLOCK.

L'horloge est affichée. (Le signe ":" entre les heures et les minutes clignote.)



2 Dans les quatre secondes, tourner MULTI JOG pour spécifier les heures et les minutes.

La rotation de **MULTI JOG** change à la fois les heures et les minutes.

On peut aussi utiliser ◀◀ ou ▶▶ au lieu de **MULTI JOG**. Le fait de tenir ces touches enfoncées fait varier l'heure rapidement.

3 Appuyer sur ENTER ou II.

L'horloge démarre à 00 seconde.

Pour rétablir un réglage initial de l'horloge

Pour rétablir le réglage initial de l'horloge, appuyer sur **CLOCK** avant de terminer l'étape 3. Ceci annule tout nouveau réglage.

Pour faire apparaître l'horloge quand un autre affichage est en service

Appuyer sur **CLOCK**. L'heure est affichée pendant quatre secondes puis l'affichage initial réapparaît. Toutefois, l'heure ne peut pas être affichée pendant l'enregistrement.

Pour passer au format de 24 heures

Appuyer sur **CLOCK** puis appuyer sur ■ dans les quatre secondes.

Pour rétablir le format de 12 heures, procéder de la même manière.

Dans le format de 12 heures, "AM 12:00" signifie minuit et "PM 12:00" signifie midi.

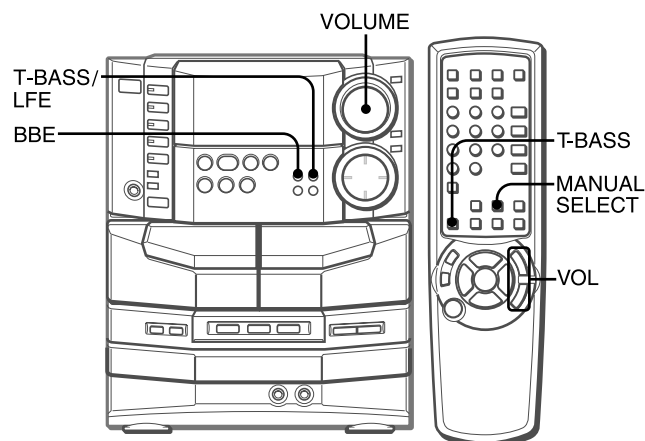
Si l'affichage de l'horloge clignote

Si l'affichage de l'horloge clignote, cela signifie que l'horloge s'est arrêtée du fait d'une interruption d'alimentation ou du fait que le cordon secteur a été débranché. L'heure courante doit être réglée de nouveau.

REMARQUE

Si le mode économie d'énergie (page 7) est en service, l'appareil s'éteint quand l'alimentation est coupée. Pour faire apparaître l'horloge, appuyer sur **CLOCK**; l'heure est alors affichée pendant quatre secondes.

REGLAGES AUDIO



VOLUME

Tourner **VOLUME** de l'appareil principal, ou appuyer sur **VOL** de la télécommande.

Le niveau du volume est affiché sous la forme d'un numéro de 0 à MAX (50).

Quand on met l'appareil hors tension alors que le niveau du volume est réglé sur 21 ou plus, ce niveau est automatiquement réglé sur 20.

Pour changer la balance gauche/droite

Appuyer sur **MANUAL SELECT** de la télécommande; "L/R" est alors affiché pendant quatre secondes. Appuyer sur ◀◀ **DOWN** ou ▶▶ **UP** de la télécommande dans ces quatre secondes.

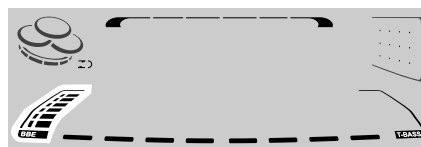
- Le niveau des enceintes avant pour les systèmes Dolby Digital, Dolby Pro Logic et DSP Surround est aussi changé.

SYSTEME BBE

Le système BBE augmente la clarté du son aux fréquences élevées. Il enrichit aussi la fonction Karaoke pour donner un son clair et agréable de la voix.

Appuyer sur BBE.

A chaque pression sur cette touche, le niveau change. Sélectionner un des trois niveaux ou la position de repos, comme on préfère.



REMARQUE

- Lors de la lecture d'une cassette enregistrée avec BBE, mettre le système BBE hors service pour éviter une distorsion du son aux fréquences élevées.

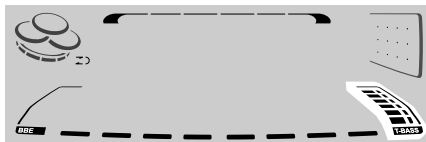
- Le système BBE ne peut pas être mis en service quand l'entrée numérique est sélectionnée ni quand le système Dolby Pro Logic est activé ("Can't USE" est affiché). Si l'une ou l'autre de ces deux opérations est effectuée quand le système BBE est activé, ce système est automatiquement annulé.

SYSTEME SUPER T-BASS

Le système T-BASS augmente le réalisme du son aux basses fréquences.

Appuyer sur T-BASS/LFE de l'appareil principal ou sur T-BASS de la télécommande.

A chaque pression sur la touche, le niveau change. Sélectionner un des trois niveaux ou la position de repos, comme on préfère.



REMARQUE

Le son aux basses fréquences risque d'être déformé quand le système T-BASS est utilisé pour un disque ou une cassette dont le son aux basses fréquences est accentué d'origine. Dans ce cas, annuler le système T-BASS.

EGALISEUR GRAPHIQUE

SELECTION D'UNE COURBE D'EGALISATION PROGRAMMEE

Cet appareil possède les cinq courbes d'égalisation programmées différentes suivantes.

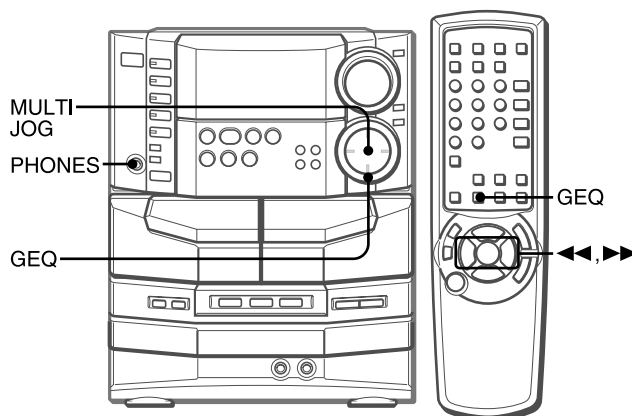
ROCK: Son puissant accentuant les aigus et les graves.

POP: Présence accrue des parties vocales et de la gamme moyenne.

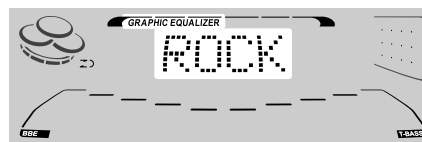
LATIN: Fréquences élevées accentuées pour la musique latine.

CLASSIC: Son enrichi par des graves puissants et des aigus fins.

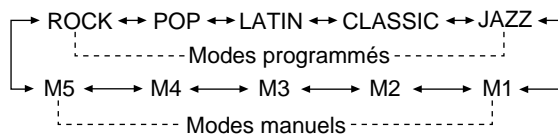
JAZZ: Fréquences basses accentuées pour la musique de type jazz.



Appuyer sur GEQ, puis tourner MULTI JOG dans les quatre secondes pour sélectionner une des courbes d'égalisation programmées.



"GRAPHIC EQUALIZER" apparaît et le mode d'égalisation graphique est affiché de manière cyclique comme suit.



Pour afficher le mode d'égalisation graphique courant
Appuyer sur **GEQ**. Le mode courant est affiché pendant quatre secondes.

Pour annuler le mode sélectionné

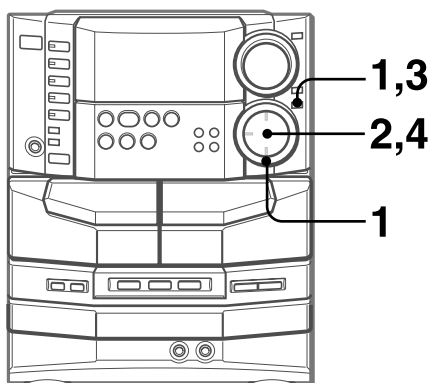
Appuyer deux fois sur **GEQ**.

"GEQ OFF" apparaît et "GRAPHIC EQUALIZER" disparaît.

Pour sélectionner avec la télécommande

Appuyer sur **GEQ** et dans les quatre secondes, appuyer sur ◀◀ ou ▶▶ à plusieurs reprises. Le mode d'égalisation graphique est affiché de manière cyclique comme ci-dessus.

REGLAGE MANUEL D'UNE NOUVELLE COURBE D'EGALISATION



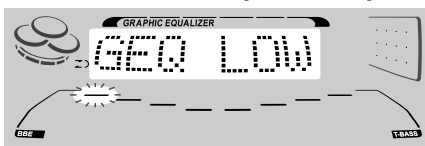
On peut personnaliser une courbe d'égalisation comme on préfère.

1 Appuyer sur **GEQ**, puis appuyer sur **ENTER** dans les quatre secondes.

La courbe d'égalisation personnalisée sera basée sur la courbe actuellement sélectionnée. Pour sélectionner une courbe différente à modifier, tourner **MULTI JOG** avant d'appuyer sur **ENTER**.

L'affichage change et indique "GEQ LOW".

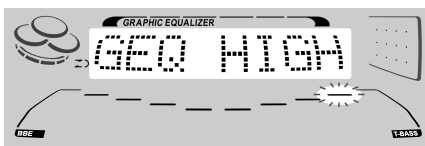
2 Dans les huit secondes, tourner **MULTI JOG** pour régler le niveau de la fréquence la plus basse.



3 Appuyer sur **ENTER** pour faire apparaître "GEQ HIGH".

L'indicateur de niveau de la fréquence la plus élevée clignote pendant huit secondes.

4 Dans les huit secondes, tourner **MULTI JOG** pour régler le niveau de la fréquence la plus élevée.



Les niveaux des fréquences comprises entre la plus basse et la plus élevée sont réglés en conséquence.

REMARQUE

Si on ne mémorise par la courbe d'égalisation personnalisée, elle sera perdue lors du passage à une courbe différente ou lors de la pression sur **GEQ**. Pour mémoriser la nouvelle courbe, voir ci-après.

Utilisation d'un casque

Brancher un casque muni d'une fiche stéréo standard (6,3 mm ø) à la prise **PHONES**.

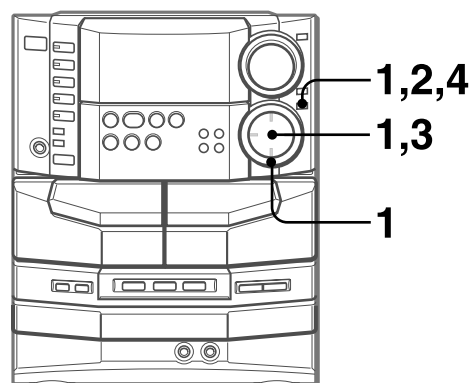
Aucun son ne sort par les enceintes quand un casque est branché.

- Quand un casque est branché, le système DSP Surround ou Dolby Pro Logic est annulé. Le système Dolby Digital passe au mode "2ch STEREO".

Réglage du son pendant l'enregistrement

La commande **VOLUME** n'a aucun effet sur l'enregistrement; mais le système BBE affecte l'enregistrement.

MEMORISATION DES NOUVELLES COURBES D'EGALISATION



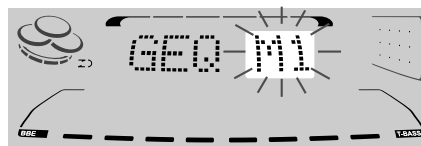
Les modes manuels M1 - M5 permettent de mémoriser jusqu'à cinq courbes d'égalisation personnalisées.

1 Suivre les étapes 1-4 de la partie "Réglage Manuel d'une Nouvelle Courbe d'Égalisation".

La courbe créée est affichée pendant huit secondes.

2 Dans les huit secondes, appuyer sur **ENTER**.

"M1" clignote sur l'affichage pendant huit secondes.



- Si cette étape n'est pas terminée dans les huit secondes, appuyer d'abord sur **GEQ** pour afficher "GEQ ON". Ensuite, dans les quatre secondes, appuyer sur **ENTER** à plusieurs reprises jusqu'à ce que "M1" clignote.

3 Dans les huit secondes, tourner **MULTI JOG** pour sélectionner un des modes manuels M1 - M5 pour mémoriser la courbe.

4 Dans les huit secondes, appuyer sur **ENTER**.

La nouvelle courbe d'égalisation est mémorisée.

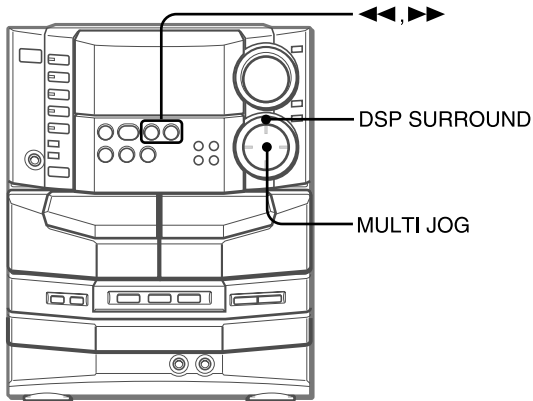
Pour sélectionner la courbe d'égalisation mémorisée

Appuyer sur **GEQ**, puis tourner **MULTI JOG** pour sélectionner un des modes manuels M1 - M5 dans les quatre secondes.

DSP SURROUND

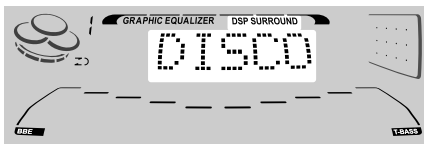
Le système DSP (processeur numérique de signaux) SURROUND règle le temps de retard, le mode d'entrée et le niveau de rétroaction pour donner un son surround résonnant reproduisant avec réalisme la présence sonore de différents environnements. Cet appareil a été programmé avec cinq modes DSP SURROUND différents.

SELECTION D'UN MODE DSP SURROUND PROGRAMME

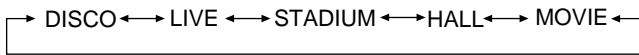


Cinq modes DSP SURROUND offrent la présence sonore d'une discothèque (DISCO), d'une représentation musicale en public (LIVE), d'un stade (STADIUM), d'une salle de concert (HALL) et d'un cinéma (MOVIE). (Les indications entre parenthèses sont celles qui apparaissent sur l'affichage.)

Appuyer sur DSP SURROUND, puis tourner MULTI JOG ou appuyer sur ◀◀ ou ▶▶ à plusieurs reprises pour sélectionner le mode programmé souhaité dans les quatre secondes.



"DSP SURROUND" apparaît et le mode SURROUND DSP est affiché de manière cyclique comme suit.



Les courbes d'égalisation sont sélectionnées automatiquement en fonction des modes DSP SURROUND et peuvent aussi être sélectionnées manuellement ou annulées comme on préfère.

Pour afficher le mode DSP SURROUND courant
Appuyer sur **DSP SURROUND**. Le mode courant est affiché pendant quatre secondes.

Pour annuler le mode sélectionné
Appuyer deux fois sur **DSP SURROUND**. "DSP OFF" apparaît et "DSP SURROUND" disparaît.

Quand la source musicale est monophonique
Sélectionner "LIVE", "STADIUM" ou "MOVIE" pour obtenir un effet stéréo simulé.
Quand "DISCO" ou "HALL" est sélectionné, le son n'est pas audible par les enceintes surround.

Pour régler le volume des enceintes surround
Appuyer deux ou trois fois sur **MANUAL SELECT** de la télécommande pendant que le système DSP Surround est en service.
"SUR" est affiché pendant quatre secondes. Dans ces quatre secondes, appuyer sur ◀◀ **DOWN** ou ▶▶ **UP** de la télécommande.

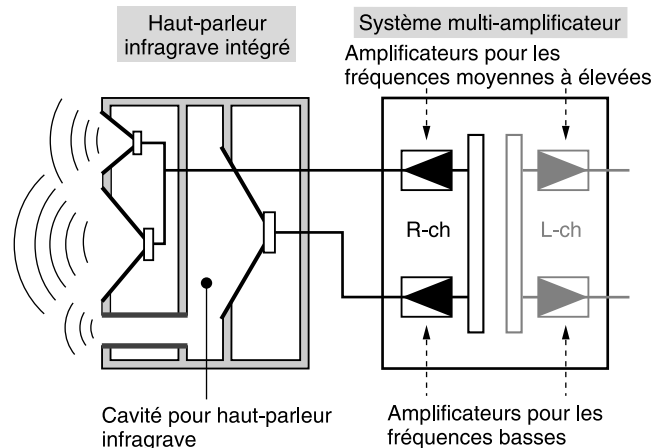
REMARQUE
Le mode DSP SURROUND est annulé quand:
- le niveau d'écho ou de microphone est changé.
- le système Dolby Digital ou Dolby Pro Logic est mis en service.
- un casque est branché.
- le mode DIGITAL (système Dolby Digital) est mis en service (mode "2ch ST" excepté).

Système multi-amplificateur

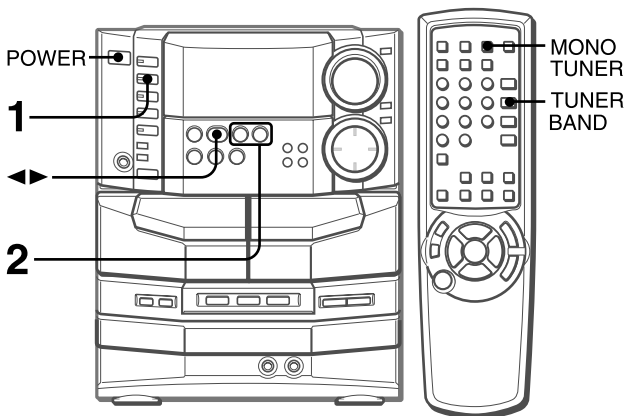
Pour accentuer les fréquences basses, en plus de l'amplificateur à deux canaux gauche/droite utilisé pour reproduire les fréquences moyennes à élevées, ce système comprend un second amplificateur à deux canaux gauche/droite juste pour la reproduction des fréquences basses. En utilisant des amplificateurs discrets pour les fréquences moyennes à élevées et les fréquences basses, une reproduction sonore de haute qualité qui est pratiquement exempte de distorsion peut être obtenue.
Ce système multi-amplificateur, qui utilise des circuits indépendants pour les différentes gammes de fréquences, permet d'obtenir une superbe reproduction sonore exempte de distorsion.

Système à haut-parleur infragrave intégré

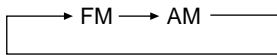
Le système à haut-parleur infragrave intégré possède une cavité pour haut-parleur infragrave qui fait partie de la structure du coffret de l'enceinte et qui agit comme filtre sonore pour éliminer la distorsion. (Dans le système multi-amplificateur, les signaux de très basse fréquence émis par leur propre amplificateur sont reproduits dans cette cavité.) Cette construction séparée donne une définition claire et riche à la reproduction des basses tout en permettant des signaux de fréquences moyennes à élevées clairs et nets.
Le système AIWA à haut-parleur infragrave intégré comprend un haut-parleur infragrave donnant une reproduction puissante et claire des basses avec une vraie séparation stéréo.



ACCORD MANUEL



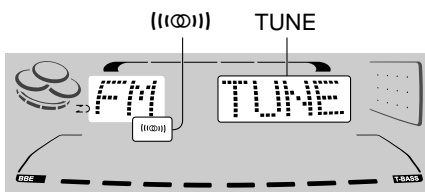
1 Appuyer sur **TUNER/BAND** à plusieurs reprises pour sélectionner la gamme souhaitée.



Quand on appuie sur **TUNER/BAND** alors que l'alimentation est coupée, l'appareil est mis sous tension directement.

2 Appuyer sur **◀◀ DOWN** ou **▶▶ UP** pour sélectionner une station.

A chaque pression sur la touche, la fréquence change. Quand une station est reçue, "TUNE" est affiché pendant deux secondes. Pendant la réception FM stéréo, "((Ⓜ))" est affiché.



Pour rechercher une station rapidement (Recherche automatique)

Tenir **◀◀ DOWN** ou **▶▶ UP** enfoncée jusqu'à ce que la fréquence commence à changer rapidement. Après l'accord sur une station, la recherche s'arrête.

Pour arrêter la recherche automatique manuellement, appuyer sur **◀◀ DOWN** ou **▶▶ UP**.

• La recherche automatique risque de ne pas s'arrêter aux stations dont les signaux sont très faibles.

Quand une émission FM stéréo contient des parasites

Appuyer sur **MONO TUNER** de la télécommande de manière que "MONO" apparaisse sur l'affichage.

Les parasites sont réduits, mais la réception est monophonique. Pour rétablir la réception stéréophonique, répéter l'opération ci-dessus de manière que "MONO" disparaisse.

Pour changer l'intervalle d'accord AM

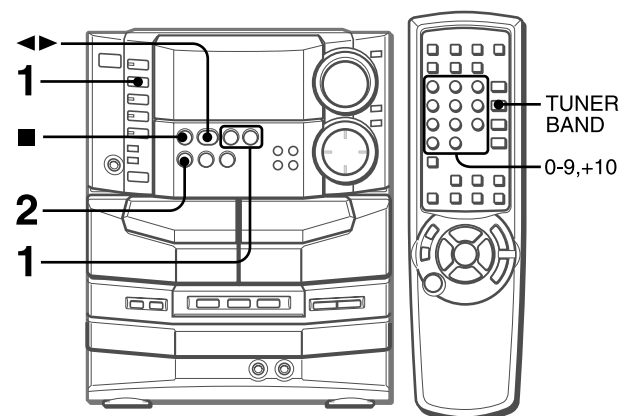
Le réglage par défaut de l'intervalle d'accord AM est de 10 kHz par pas. Si on utilise cet appareil dans une région où le système d'allocation de fréquences est de 9 kHz par pas, changer l'intervalle d'accord.

Appuyer sur **POWER** tout en appuyant sur **TUNER/BAND**. Pour rétablir l'intervalle initial, procéder de la même façon.

REMARQUE

Quand on change l'intervalle d'accord AM, toutes les stations mémorisées sont supprimées. Une nouvelle mémorisation est alors nécessaire.

MEMORISATION DE STATIONS



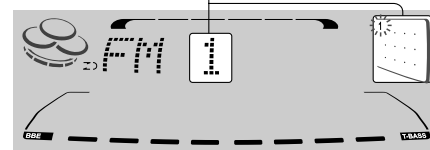
L'appareil peut mémoriser un total de 32 stations. Quand une station est mémorisée, un numéro de pré-réglage lui est affecté. Pour accorder directement l'appareil sur une station mémorisée, utiliser le numéro de pré-réglage correspondant.

1 Appuyer sur **TUNER/BAND** pour sélectionner une gamme, puis appuyer sur **◀◀ DOWN** ou **▶▶ UP** pour sélectionner une station.

2 Appuyer sur **■ SET** pour mémoriser la station.

Un numéro de pré-réglage est affecté à la station, à partir de 1 dans l'ordre consécutif pour chaque gamme.

Numéro de pré-réglage



3 Répéter les étapes 1 et 2.

La station suivante ne sera pas mémorisée si un total de 32 stations ont déjà été mémorisées pour toutes les gammes.

REMARQUE

"FULL" est affiché si on tente de mémoriser plus de 32 stations.

ACCORD PAR NUMERO DE PREREGLAGES

Utiliser la télécommande pour sélectionner le numéro de pré-réglage directement.

1 Appuyer sur **TUNER/BAND** pour sélectionner une gamme.

2 Utiliser les touches numériques 0-9 et +10 pour sélectionner un numéro de pré-réglage.

Exemple:

Pour sélectionner le numéro de pré-réglage 20, appuyer sur **+10**, **+10** et **0**.

Pour sélectionner le numéro de pré-réglage 15, appuyer sur **+10** et **5**.

Sélection d'un numéro de pré-réglage sur l'appareil principal

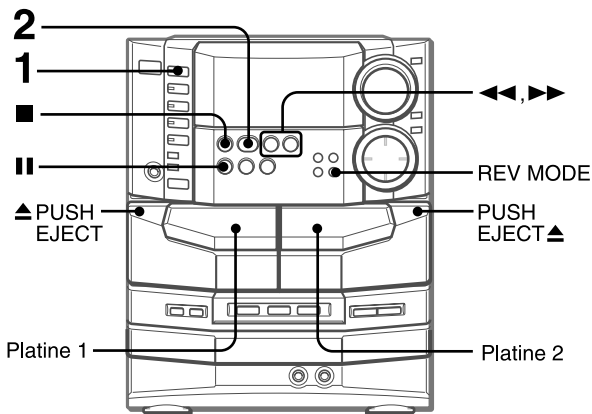
Appuyer sur **TUNER/BAND** pour sélectionner une gamme. Ensuite, appuyer sur **◀▶** à plusieurs reprises ou tourner **MULTI JOG**. A chaque pression sur **◀▶**, le numéro supérieur suivant est sélectionné.

Pour supprimer une station mémorisée

Sélectionner le numéro de pré-réglage de la station à supprimer. Ensuite, appuyer sur **■ CLEAR**, puis appuyer sur **■ SET** dans les quatre secondes.

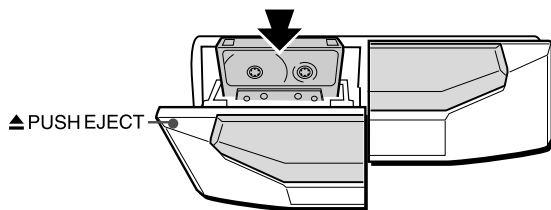
Les numéros de pré-réglage supérieurs de toutes les autres stations de la gamme sont diminués d'une unité.

OPERATIONS DE BASE



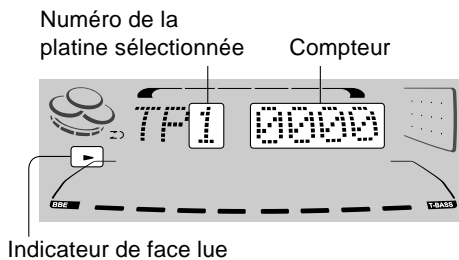
- Avec la platine 1, les cassettes sont toujours lues sur les deux faces.
Avec la platine 2, on peut choisir un mode d'inversion pour lire une face ou les deux.
- Pour la lecture, utiliser des cassettes de type I (normales), de type II (haute polarisation/CrO₂) ou de type IV (métal).

1 Appuyer sur TAPE/DECK 1/2 puis appuyer sur PUSH EJECT ▲ pour ouvrir le porte-cassette.



Insérer une cassette avec le côté exposé du ruban magnétique en bas. Pousser le porte-cassette pour le fermer.

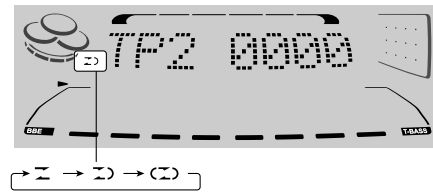
2 Appuyer sur ◀▶ pour démarrer la lecture.



- ▶: La face avant (orientée vers l'avant) est lue.
- ◀: La face arrière (orientée vers l'arrière) est lue.

Pour sélectionner un mode d'inversion (platine 2 seulement)

A chaque pression sur REV MODE, le mode d'inversion change.



- Pour lire une seule face, sélectionner ◀.
- Pour lire de la face avant à la face arrière une seule fois, sélectionner ▶.
- Pour lire les deux faces à plusieurs reprises, sélectionner ◀▶.
- Quand il y a des cassettes dans les deux platines, ▶ sur l'affichage signifie "Lecture continue".

Pour sélectionner une platine de lecture

Quand il y a des cassettes en place dans les deux platines, appuyer d'abord sur TAPE/DECK 1/2 pour sélectionner une platine. Le numéro de la platine sélectionnée est affiché.

Pour arrêter la lecture, appuyer sur ■.

Pour mettre la lecture en pause (platine 2 seulement), appuyer sur ■■. Pour reprendre la lecture, appuyer de nouveau sur cette touche.

Pour changer de face lue, appuyer sur ◀▶ pendant la lecture ou le mode pause.

Pour obtenir une avance rapide ou un rembobinage, appuyer sur ◀◀ ou ▶▶. Ensuite, appuyer sur ■ pour arrêter le défilement.

Pour démarrer la lecture quand l'alimentation est coupée (fonction de lecture directe)

Appuyer sur TAPE/DECK 1/2. L'appareil est mis sous tension et la lecture de la cassette en place commence.

Pour mettre le compteur à 0000

Appuyer sur ■ CLEAR dans le mode arrêt.

Le compteur est aussi mis à 0000 quand on ouvre et ferme le porte-cassette.

SENSEUR DE MUSIQUE

S'il y a un blanc de quatre secondes ou plus entre les plages, on peut retrouver facilement le début de la plage courante ou suivante pendant la lecture.

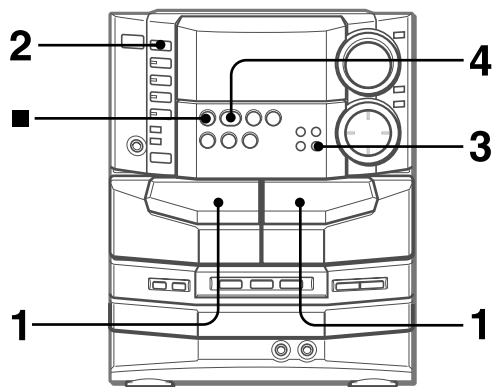
Appuyer sur ◀◀ ou ▶▶ pendant la lecture en vérifiant l'indicateur de face lue (◀ ou ▶) affiché.

Par exemple, si on appuie sur ▶▶ tandis que l'indicateur ▶ est affiché, la lecture de la plage suivante démarre.

La fonction senseur de musique risque de ne pas pouvoir détecter les plages dans les cas suivants:

- blancs de moins de quatre secondes entre les plages.
- blancs présentant des parasites.
- longs passages à bas niveau.
- enregistrements à bas niveau.

LECTURE CONTINUE

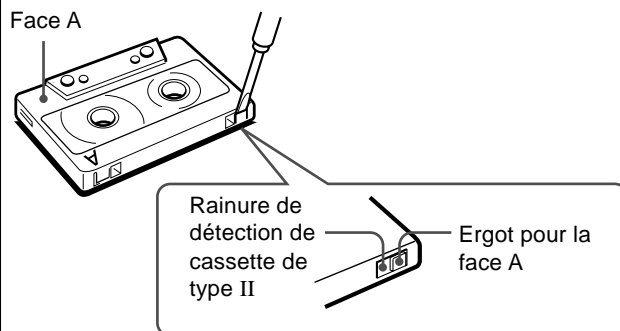


Une fois que la lecture sur une platine est terminée, la lecture de la cassette de l'autre platine démarre sans interruption.

- 1 Insérer des cassettes dans les platines 1 et 2.**
- 2 Appuyer sur TAPE/DECK 1/2 pour sélectionner la platine à utiliser en premier.**
- 3 Appuyer sur REV MODE pour sélectionner ⏮.**
- 4 Appuyer sur ◀▶ pour démarrer la lecture.**
La lecture continue jusqu'à ce qu'on appuie sur ■.

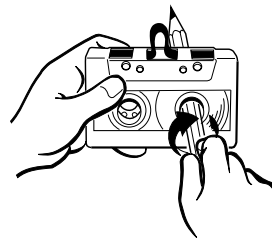
Au sujet des cassettes

- **Pour éviter un effacement accidentel**, utiliser un tournevis ou tout autre objet effilé pour casser les ergots en plastique de la cassette après l'enregistrement.

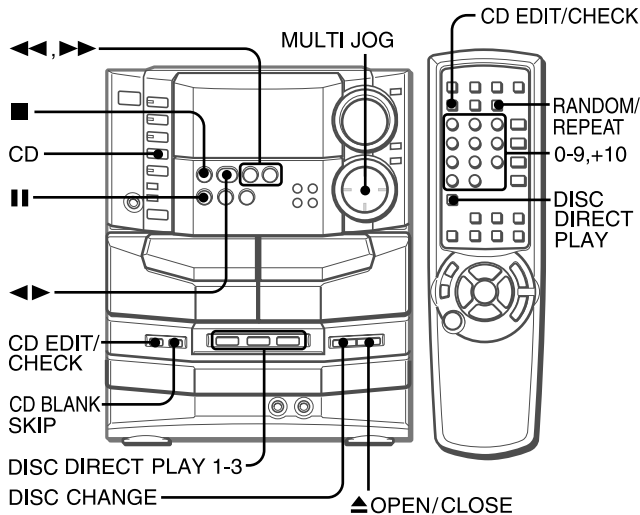


Pour enregistrer de nouveau sur une cassette, recouvrir les cavités des ergots avec du ruban adhésif ou autre. (Sur les cassettes de type II, faire attention à ne pas recouvrir la rainure de détection de cassette de type II.)

- **Le ruban magnétique des cassettes de 120 minutes ou plus** est extrêmement fin et se déforme et s'endommage facilement. Ces cassettes ne sont pas recommandées.
- **Tendre le ruban magnétique** avec un crayon ou un objet similaire avant d'utiliser une cassette. Un ruban magnétique détendu peut se rompre ou s'emmêler dans le mécanisme.



OPERATIONS DE BASE



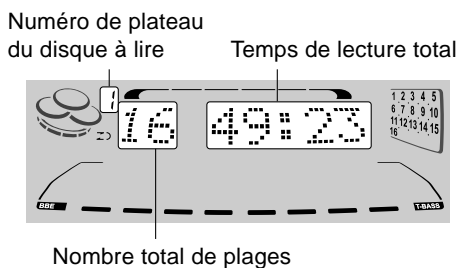
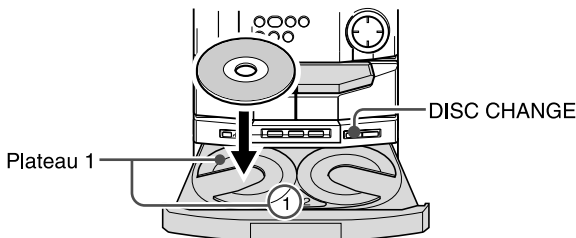
MISE EN PLACE DE DISQUES

Appuyer sur **CD**, puis appuyer sur ▲ **OPEN/CLOSE** pour ouvrir le compartiment à disques. Mettre le(s) disque(s) en place avec le côté portant l'étiquette en haut.

Pour lire un ou deux disques, mettre les disques sur les plateaux 1 et 2.

Pour lire trois disques, appuyer sur **DISC CHANGE** pour faire tourner les plateaux après avoir mis deux disques en place. Mettre le troisième disque sur le plateau 3.

Fermer le compartiment à disques en appuyant sur ▲ **OPEN/CLOSE**.

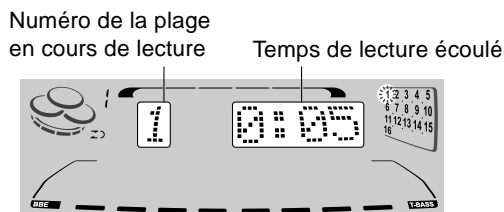


LECTURE DE DISQUES

Mettre des disques en place.

Pour lire tous les disques situés dans le compartiment, appuyer sur ◀▶.

La lecture commence par le disque du plateau 1.



Pour lire un disque seulement, appuyer sur une des touches **DISC DIRECT PLAY 1-3**.

Le disque sélectionné est lu une fois.

Pour arrêter la lecture, appuyer sur ■.

Pour mettre la lecture en pause, appuyer sur ||. Pour reprendre la lecture, appuyer de nouveau sur cette touche.

Pour rechercher un point particulier pendant la lecture, tenir ◀ ou ▶ enfoncée jusqu'à ce que le point souhaité soit atteint.

Pour sauter au début d'une plage pendant la lecture, appuyer sur ◀ ou ▶ à plusieurs reprises ou tourner **MULTI JOG**.

Pour enlever des disques, appuyer sur ▲ **OPEN/CLOSE**.

Pour démarrer la lecture quand l'alimentation est coupée (fonction de lecture directe)

Appuyer sur **CD**. L'appareil est mis sous tension et la lecture du (des) disque(s) en place commence.

Quand on appuie sur ▲ **OPEN/CLOSE**, l'appareil est aussi mis sous tension et le compartiment à disques s'ouvre.

Pour vérifier le temps restant

Pendant la lecture (excepté la lecture aléatoire ou la lecture programmée), appuyer sur **CD EDIT/CHECK**. Le temps restant jusqu'à ce que toutes les plages soient lues est affiché. Pour rétablir l'affichage du temps de lecture, répéter cette opération.

Sélection d'une plage avec la télécommande

1 Appuyer sur **DISC DIRECT PLAY** et, dans les trois secondes, appuyer sur **1**, **2** ou **3** pour sélectionner un disque.

2 Utiliser les touches numériques **0-9** et **+10** pour sélectionner une plage.

Exemple:

Pour sélectionner la vingt-cinquième plage, appuyer sur **+10**, **+10** et **5**.

Pour sélectionner la dixième plage, appuyer sur **+10** et **0**.

La lecture démarre à la plage sélectionnée et continue jusqu'à la fin du disque.

Changement de disques pendant la lecture

Pendant qu'un disque est en lecture, on peut remplacer les autres disques sans interrompre la lecture.

1 Appuyer sur **DISC CHANGE**.

2 Enlever les disques et les remplacer par d'autres disques.

3 Appuyer sur ▲ **OPEN/CLOSE** pour fermer le compartiment à disques.

REMARQUE

- Pour mettre un disque de 8 cm en place, le poser dans le renforcement circulaire du plateau.
- Ne pas mettre plus d'un disque compact sur un plateau.
- Ne pas incliner l'appareil avec des disques en place. Cela pourrait provoquer des pannes.
- Ne pas utiliser des disques compacts de forme irrégulière (par ex. disques en forme de cœur ou octogonaux). Cela pourrait provoquer des pannes.
- Du fait de différences de plates-formes l'appareil risque de ne pas pouvoir lire un disque CD-R/RW qui a été enregistré sur un ordinateur personnel ou sur toute autre sorte de graveur de CD-R/RW.
- Ne pas apposer d'autocollant ou d'étiquette sur les côtés (côté enregistrable et côté marqué) d'un disque CD-R/RW. Cela pourrait provoquer une panne.

LECTURE ALEATOIRE/REPETEE

Utiliser la télécommande.

Lecture aléatoire

Toutes les plages du disque sélectionné ou tous les disques peuvent être lus dans un ordre aléatoire.

Lecture répétée

Un seul disque ou tous les disques peuvent être lus à plusieurs reprises.

Appuyer sur RANDOM/REPEAT.

A chaque pression sur les touches, la fonction peut être sélectionnée de façon cyclique.

Lecture aléatoire — "RANDOM" s'allume sur l'affichage.

Lecture répétée — "↺" s'allume sur l'affichage.

Lecture aléatoire/répétée — "RANDOM" et "↺" s'allument sur l'affichage.

Annulation — "RANDOM" et "↺" disparaissent de l'affichage.

Pour lire tous les disques, appuyer sur ◀▶ pour démarrer la lecture.

Pour lire un seul disque, appuyer DISC DIRECT PLAY et, dans les trois secondes, appuyer sur 1, 2 ou 3 pour démarrer la lecture.

REMARQUE

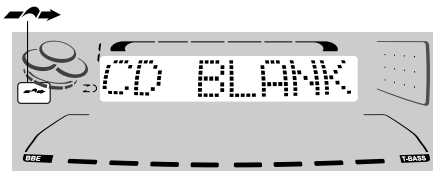
Pendant la lecture aléatoire, il est impossible de sauter à la plage précédemment lue en appuyant sur ◀◀.

LECTURE AVEC SAUT DES BLANCS

Les parties vierges se trouvant entre les plages enregistrées sur un disque compact peuvent être sautées pendant la lecture.

1 Appuyer sur CD BLANK SKIP.

"CD BLANK SKIP ON" est affiché et "↔" apparaît sur l'affichage.



2 Appuyer sur ◀▶ pour démarrer la lecture.

Les parties vierges se trouvant entre les plages sont sautées, et le son est lu sans interruption. Si le son d'une plage s'affaiblit (si la plage se termine avec une diminution progressive du niveau sonore), la partie de l'affaiblissement est aussi sautée.

Pour revenir à la lecture normale

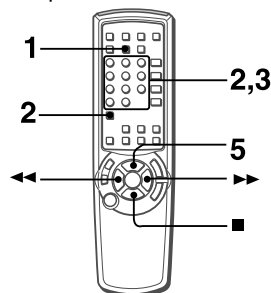
Appuyer de nouveau sur CD BLANK SKIP; "CD BLANK SKIP OFF" est affiché et "↔" disparaît de l'affichage.

REMARQUE

- Il peut y avoir des cas où la lecture avec saut des blancs ne fonctionne pas correctement.
- La lecture avec saut des blancs est automatiquement annulée lors de l'ENREGISTREMENT AVEC MONTAGE ET CALCUL DU TEMPS (voir page 19), lors de l'ENREGISTREMENT AVEC MONTAGE PROGRAMME (voir page 20) ou lors de l'enregistrement pendant la LECTURE PROGRAMMEE (voir ci-après) ou la LECTURE ALEATOIRE (voir ci-dessus).

LECTURE PROGRAMMEE

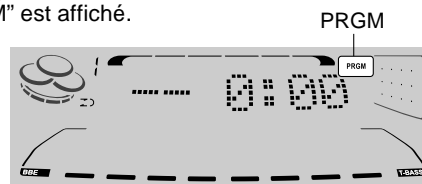
On peut programmer un maximum de 30 plages de n'importe lequel des disques en place.



Utiliser la télécommande.

1 Appuyer sur deux fois PRGM en mode arrêt.

"PRGM" est affiché.



- Quand on appuie une fois sur PRGM à l'étape 1, l'appareil passe au PROGRAMME DE KARAOKE (voir page 27).

2 Appuyer sur DISC DIRECT PLAY et, dans les trois secondes, appuyer sur 1, 2 ou 3 pour sélectionner un disque.

Passer à l'étape suivante quand le plateau arrête de tourner.

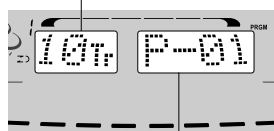
3 Utiliser les touches numériques 0-9 et +10 pour programmer une plage.

Exemple:

Pour sélectionner la vingt-cinquième plage, appuyer sur +10, +10 et 5.

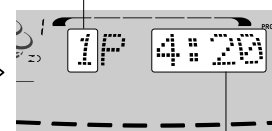
Pour sélectionner la dixième plage, appuyer sur +10 et 0.

Numéro de la plage sélectionnée



Numéro de programme

Nombre total de plages sélectionnées



Temps de lecture total des plages sélectionnées

4 Répéter les étapes 2 et 3 pour programmer d'autres plages.

5 Appuyer sur ◀▶ pour démarrer la lecture.

Pour vérifier le programme

A chaque pression sur ◀◀ ou ▶▶ dans le mode arrêt, un numéro de disque, un numéro de plage et un numéro de programme sont affichés.

Pour effacer le programme

Appuyer sur ■ CLEAR en mode arrêt.

Pour ajouter des plages au programme

Répéter les étapes 2 et 3 dans le mode arrêt. La plage sera programmée à la suite de la dernière.

Pour changer les plages programmées

Effacer le programme puis répéter toutes les étapes.

Pour lire les plages programmées à plusieurs reprises

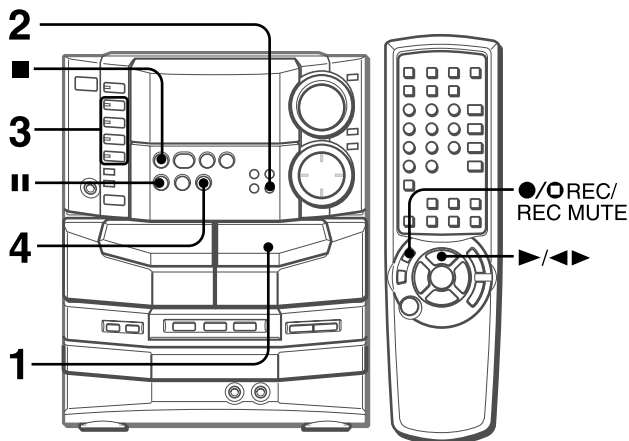
Après la programmation des plages, appuyer sur RANDOM/REPEAT à plusieurs reprises jusqu'à ce que "↺" apparaisse sur l'affichage.

REMARQUE

- Pendant la lecture programmée, on ne peut pas effectuer la lecture aléatoire, contrôler le temps restant et sélectionner un disque ou une plage. "Can't USE" est affiché si on tente de sélectionner une plage.
- "FULL" est affiché si on tente de programmer plus de 30 plages.

ENREGISTREMENT DE BASE

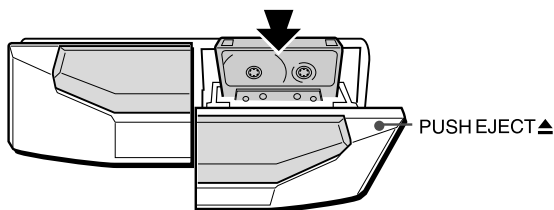
Cette partie explique comment enregistrer à partir du tuner, du lecteur de disques compacts ou d'un appareil externe. L'entrée numérique à partir d'un dispositif externe ne peut pas être enregistrée.



Préparation

- Pour l'enregistrement, utiliser des cassettes de type I (normales) ou de type II (haute polarisation/CrO2).
- Bobiner la cassette jusqu'à l'endroit où on veut démarrer l'enregistrement.

- 1 Insérer la cassette à enregistrer dans la platine**
2.
Insérer la cassette avec la face à enregistrer en premier orientée vers l'extérieur de l'appareil.



- 2 Appuyer sur REV MODE pour sélectionner le mode d'inversion.**

Pour enregistrer sur une face seulement, sélectionner ↵ .
Pour enregistrer sur les deux faces, sélectionner ↔ ou ↶ .

- 3 Sélectionner la fonction (TUNER/BAND, VIDEO1/ DVD/AUX, CD ou VIDEO2/LD/MD) et préparer la source à partir de laquelle on veut enregistrer.**

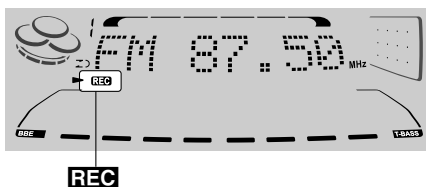
Pour enregistrer à partir d'un disque compact, appuyer sur CD et mettre le(s) disque(s) compact(s) en place.

Pour enregistrer une émission de radio, appuyer sur TUNER/BAND et accorder sur une station.

Pour enregistrer à partir d'une source connectée, appuyer sur VIDEO1/DVD/AUX ou VIDEO2/LD/MD.

- 4 Appuyer sur ● REC/REC MUTE pour démarrer l'enregistrement.**

Lors de l'enregistrement à partir d'une source connectée, mettre cette source en lecture.



Quand la fonction sélectionnée est CD, la lecture et l'enregistrement démarrent simultanément.

Pour arrêter l'enregistrement, appuyer sur ■.

Pour mettre l'enregistrement en pause, appuyer sur || . (Applicable quand la source est TUNER, VIDEO1/DVD/AUX ou VIDEO2/LD/MD.) Pour reprendre l'enregistrement, appuyer de nouveau sur cette touche.

Pour démarrer l'enregistrement avec la télécommande

Appuyer d'abord sur ●/O REC/REC MUTE, puis appuyer sur ▶/◀ dans les deux secondes qui suivent.

Réglage du son pendant l'enregistrement

La commande VOLUME n'a aucun effet sur l'enregistrement; mais le système BBE affecte l'enregistrement.

REMARQUE

Lors de l'enregistrement d'une source externe connectée via les prises VIDEO1/DVD/AUX ou les prises VIDEO2/LD/MD, "OVERLOAD" s'allume sans interruption sur l'affichage si le niveau d'entrée est trop haut. Le cas échéant, arrêter l'enregistrement et régler le niveau d'entrée de manière que "OVERLOAD" s'allume par intermittence (page 32).

INSERTION D'ESPACES BLANCS

L'insertion d'espaces blancs de quatre secondes permet l'utilisation de la fonction senseur de musique. (Applicable quand la source est TUNER/BAND, VIDEO1/DVD/AUX ou VIDEO2/LD/MD.)

- 1 Appuyer sur ● REC/REC MUTE pendant l'enregistrement ou pendant le mode pause d'enregistrement.**

REC clignote sur l'affichage pendant quatre secondes et un espace blanc de quatre secondes est fait. Ensuite, la platine passe au mode pause d'enregistrement.

- 2 Appuyer sur || pour reprendre l'enregistrement.**

Pour insérer un espace blanc de moins de quatre secondes, appuyer de nouveau sur ● REC/REC MUTE tandis que **REC** clignote.

Pour insérer des espaces blancs de plus de quatre secondes, appuyer de nouveau sur ● REC/REC MUTE une fois que la platine passe au mode pause d'enregistrement. A chaque pression sur la touche, un espace blanc de quatre secondes est ajouté.

REMARQUE

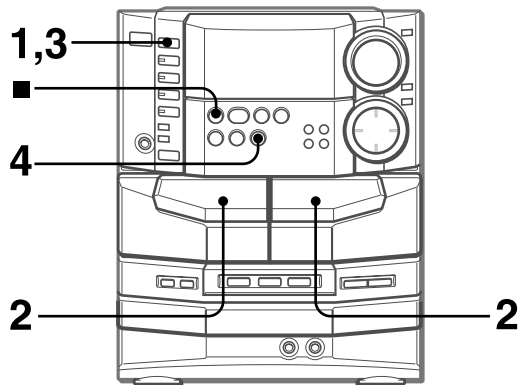
"Can't REC" est affiché si on tente d'enregistrer sur une cassette dont les ergots en plastique sont cassés.

Pour effacer un enregistrement

S'assurer qu'aucun microphone n'est connecté à cet appareil. Régler le volume de microphone et le niveau d'écho sur OFF (page 25).

- 1 Insérer la cassette à effacer dans la platine 2 et appuyer sur TAPE/DECK 1/2 pour afficher "TP 2".**
- 2 Bobiner la cassette jusqu'à l'endroit où on veut démarrer l'effacement.**
- 3 Régler le mode d'inversion en appuyant sur REV MODE.**
- 4 Appuyer sur ● REC/REC MUTE pour démarrer l'effacement.**

DUPLICATION MANUELLE D'UNE CASSETTE



REMARQUE

- Bobiner la cassette jusqu'à l'endroit où on veut démarrer l'enregistrement.
- Le mode d'inversion est automatiquement réglé sur Σ .
Remarquer que l'enregistrement ne sera fait que sur une face de la cassette.

1 Appuyer sur TAPE/DECK 1/2.

2 Insérer la cassette originale dans la platine 1 et la cassette à enregistrer dans la platine 2.

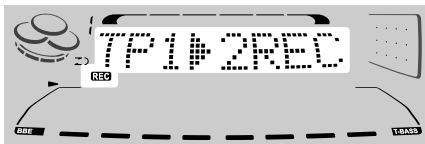
Insérer chaque cassette avec la face à lire ou à enregistrer orientée vers l'extérieur de l'appareil.

3 Appuyer sur TAPE/DECK 1/2 pour sélectionner la platine 1.

"TP 1" est affiché.

4 Appuyer sur ● REC/REC MUTE pour démarrer l'enregistrement.

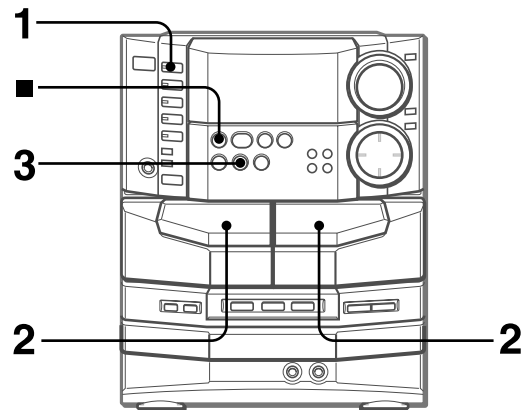
La lecture et l'enregistrement démarrent simultanément.



Pour arrêter la duplication

Appuyer sur ■.

DUPLICATION DE LA TOTALITE D'UNE CASSETTE



Cette fonction permet de faire des copies exactes des deux faces de la cassette originale. Les faces arrière des deux cassettes démarrent en même temps dès que la cassette la plus longue a été inversée.

REMARQUE

- La duplication ne démarre pas à un point situé au milieu d'une face.
- Le mode d'inversion est automatiquement réglé sur Σ .

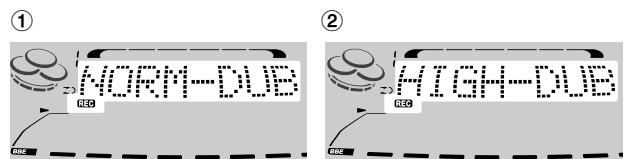
1 Appuyer sur TAPE/DECK 1/2.

2 Insérer la cassette originale dans la platine 1 et la cassette à enregistrer dans la platine 2.

Insérer chaque cassette avec la face à lire ou à enregistrer orientée vers l'extérieur de l'appareil.

3 Appuyer une ou deux fois sur SYNC DUB pour démarrer l'enregistrement.

- ① Pour enregistrer à vitesse normale, appuyer une fois sur la touche de manière que "NORM-DUB" soit affiché.
- ② Pour enregistrer à grande vitesse, appuyer deux fois sur la touche de manière que "HIGH-DUB" soit affiché.



Les cassettes sont rembobinées jusqu'au début des faces avant, puis l'enregistrement démarre.

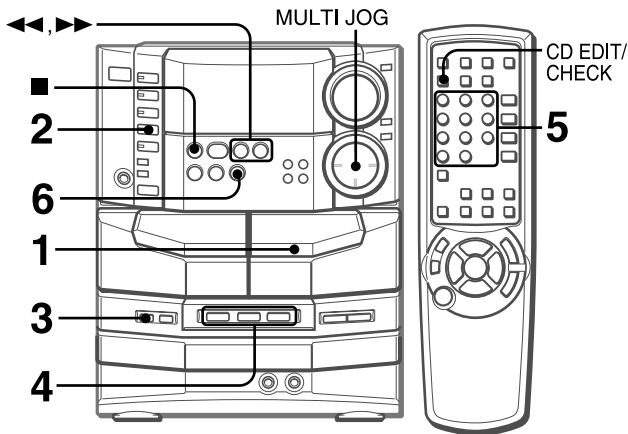
Pour arrêter la duplication

Appuyer sur ■.

REMARQUE

Si l'ergot de sécurité d'une face ou l'autre de la cassette est absent, l'enregistrement ne démarre pas.

ENREGISTREMENT AVEC MONTAGE ET CALCUL DU TEMPS

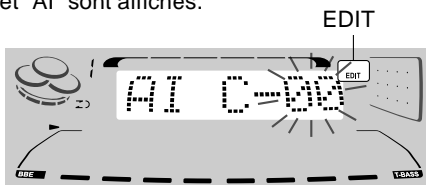


La fonction enregistrement avec montage et calcul du temps permet d'enregistrer à partir de disques compacts sans se préoccuper de la durée de la cassette et de la durée des plages. Quand un disque compact est en place, l'appareil calcule automatiquement la durée totale des plages. Si nécessaire, l'ordre des plages est changé de manière qu'aucune plage ne soit tronquée.
(AI: Intelligence Artificielle)

REMARQUE

L'enregistrement avec montage et calcul du temps ne démarrera pas à un point situé au milieu d'une face. La cassette doit être enregistrée à partir du début d'une de ses faces.

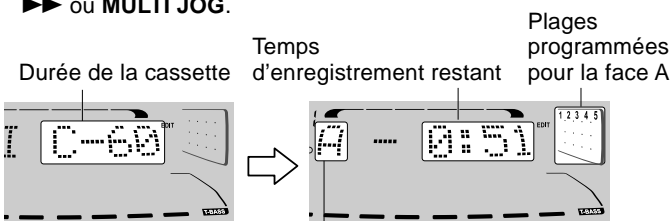
- 1 Insérer la cassette dans la platine 2.**
Insérer la cassette avec la face à enregistrer en premier orientée vers l'extérieur de l'appareil.
- 2 Appuyer sur CD et mettre le(s) disque(s) en place.**
- 3 Appuyer une fois sur CD EDIT/CHECK.**
"EDIT" et "AI" sont affichés.



• Si "PRGM" est affiché, appuyer sur CD EDIT/CHECK.

- 4 Appuyer sur une des touches DISC DIRECT PLAY 1-3 pour sélectionner un disque.**
- 5 Utiliser les touches numériques 0-9 de la télécommande pour spécifier la durée de la cassette.**

On peut spécifier une durée de 10 à 99 minutes.
Exemple: Quand on utilise une cassette de 60 minutes, appuyer sur **6** et **0**.
En quelques secondes, les plages à enregistrer sur chaque face de la cassette sont déterminées.
• La durée de la cassette peut aussi être spécifiée avec ◀▶ ou MULTI JOG.



Face de la cassette
A: Face du premier enregistrement
B: Face du deuxième enregistrement

- 6 Appuyer sur ● REC/REC MUTE pour démarrer l'enregistrement sur la première face.**

La cassette est rembobinée jusqu'au début de la face avant, l'amorce est lue pendant dix secondes, puis l'enregistrement démarre. Une fois que l'enregistrement sur la face avant (face A) est terminé, l'enregistrement sur la face arrière (face B) démarre.

Pour arrêter l'enregistrement

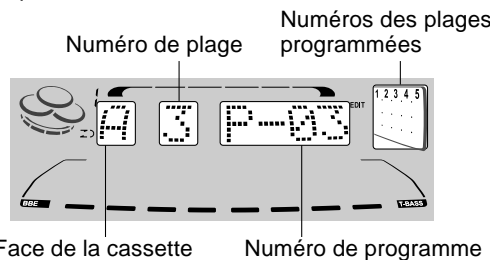
Appuyer sur ■. L'enregistrement de la cassette et la lecture du disque compact s'arrêtent simultanément.

Pour effacer le programme du montage

Appuyer deux fois sur ■ CLEAR de manière que "EDIT" disparaisse de l'affichage.

Pour contrôler l'ordre des numéros des plages programmées

Avant l'enregistrement, appuyer sur CD EDIT/CHECK pour sélectionner la face A ou B, puis appuyer sur ◀▶ à plusieurs reprises.



Pour ajouter des plages d'autres disques au programme du montage

S'il reste du temps sur la cassette après l'étape 5, on peut ajouter des plages des autres disques situés dans le compartiment.

- 1 Appuyer sur CD EDIT/CHECK pour sélectionner la face A ou B.**
- 2 Appuyer sur une des touches DISC DIRECT PLAY 1-3 pour sélectionner un disque.**
- 3 Sélectionner les plages à l'aide des touches numériques de la télécommande. Une plage dont la durée de lecture est supérieure au temps restant ne peut pas être programmée.**
- 4 Répéter les étapes 2 et 3 pour ajouter d'autres plages.**

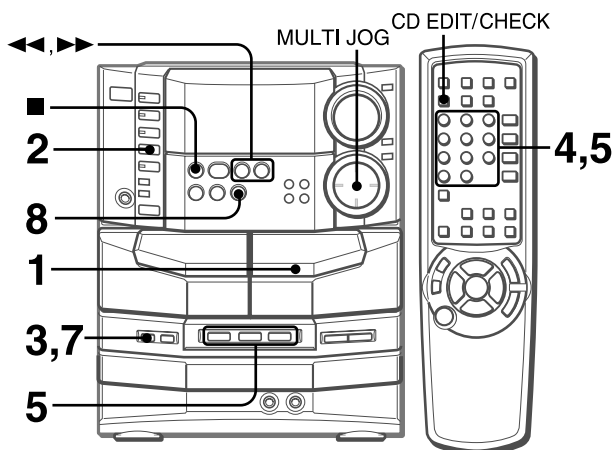
Durée des cassettes et temps du montage

La durée réelle d'une cassette est en général légèrement supérieure à celle indiquée sur l'étiquette. Cet appareil peut programmer des plages pour utiliser le temps en excès. Quand, après le montage, la durée totale d'enregistrement est légèrement supérieure à la durée spécifiée pour la cassette, l'affichage indique le temps en excès (sans signe moins) au lieu du temps restant de la face de la cassette (avec le signe moins).

REMARQUE

- La fonction enregistrement avec montage et calcul du temps ne peut pas être utilisée avec les disques contenant 31 plages ou plus. "TR OVER" est affiché si un tel disque est utilisé.
- Si l'ergot de sécurité d'une face ou l'autre de la cassette est absent, l'enregistrement ne se fait pas.

ENREGISTREMENT AVEC MONTAGE PROGRAMME



La fonction enregistrement avec montage programmé permet de programmer les plages tout en contrôlant le temps restant sur chaque face de la cassette.

REMARQUE

L'enregistrement avec montage programmé ne démarrera pas à un point situé au milieu d'une face. La cassette doit être enregistrée à partir du début d'une de ses faces.

1 Insérer la cassette dans la platine 2.

Insérer la cassette avec la face à enregistrer en premier orientée vers l'extérieur de l'appareil.

2 Appuyer sur CD et mettre le(s) disque(s) en place.

3 Appuyer deux fois sur CD EDIT/CHECK.

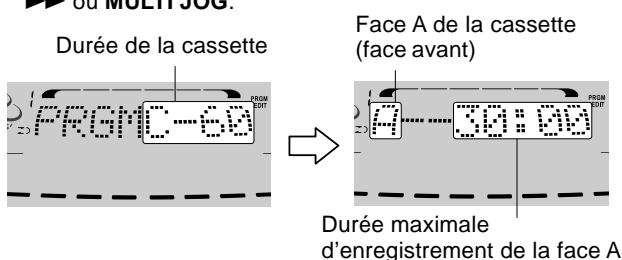
"EDIT" et "PRGM" sont affichés.

- Si "A1" est affiché, appuyer de nouveau sur CD EDIT/CHECK.

4 Utiliser les touches numériques de la télécommande pour spécifier la durée de la cassette.

On peut spécifier une durée de 10 à 99 minutes.

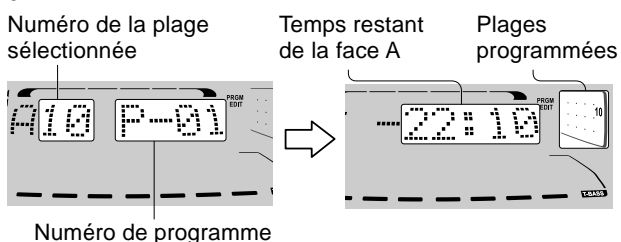
- La durée de la cassette peut aussi être spécifiée avec ◀▶, ▶▶ ou MULTI JOG.



5 Appuyer sur une des touches DISC DIRECT PLAY 1-3 pour sélectionner un disque.

Ensuite, utiliser les touches numériques 0-9 et +10 de la télécommande pour programmer une plage.

Exemple: Pour sélectionner la dixième plage du disque 2, appuyer sur DISC DIRECT PLAY 2, puis appuyer sur +10 et 0.



6 Répéter l'étape 5 pour le reste des plages de la face A.

Une plage dont la durée de lecture est supérieure au temps restant ne peut pas être programmée.

7 Appuyer sur CD EDIT/CHECK pour sélectionner la face B, puis programmer les plages pour cette face.

Après s'être assuré que "B" est affiché, répéter l'étape 5.

Face B de la cassette (face arrière)



8 Appuyer sur ● REC/REC MUTE pour démarrer l'enregistrement.

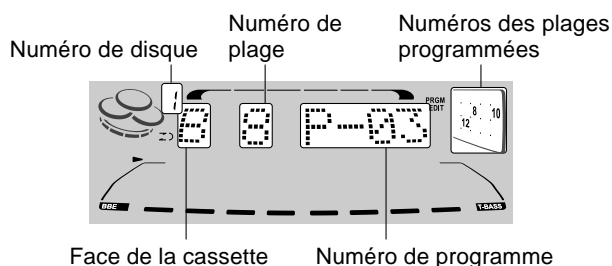
La cassette est rembobinée jusqu'au début de la face avant, l'amorce est lue pendant dix secondes, puis l'enregistrement démarre. Une fois que l'enregistrement sur la face avant (A) est terminé, l'enregistrement sur la face arrière (B) démarre.

Pour arrêter l'enregistrement

Appuyer sur ■. L'enregistrement de la cassette et la lecture du disque compact s'arrêtent simultanément.

Pour contrôler l'ordre des numéros des plages programmées

Avant l'enregistrement, appuyer sur CD EDIT/CHECK pour sélectionner la face A ou B, puis appuyer sur ◀▶ à plusieurs reprises.



Pour changer le programme de chaque face

Appuyer sur CD EDIT/CHECK pour sélectionner la face A ou B, puis appuyer sur ■ CLEAR pour effacer le programme de la face sélectionnée. Ensuite, reprogrammer des plages.

Pour effacer le programme du montage

Appuyer deux fois sur ■ CLEAR de manière que "EDIT" disparaisse de l'affichage.

REMARQUE

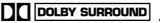
- On peut programmer un maximum de 30 plages de n'importe lequel des disques en place.
- "FULL" est affiché si on tente de programmer plus de 30 plages.
- Si l'ergot de sécurité d'une face ou l'autre de la cassette est absent, l'enregistrement ne se fait pas.

DOLBY SURROUND


Grâce au décodeur Dolby Digital intégré de cet appareil et au système d'enceintes surround (l'enceinte centrale et les enceintes surround fournies en plus des enceintes avant gauche et droite), les supports vidéo enregistrés en Dolby Digital ou Dolby Pro Logic peuvent être lus pour donner un véritable son cinématographique à domicile.

Les voix sont audibles dans le champ sonore avant et central, tandis que les sons d'ambiance tels que les bruits de voitures ou de foules enveloppent de toute part; le tout donnant un divertissement audiovisuel d'un réalisme étonnant.

Le Dolby Pro Logic possède quatre canaux indépendants; gauche, central, droit et surround. Ces quatre canaux sont encodés dans les deux pistes d'une source de programme stéréophonique ordinaire. Le décodeur Dolby Digital de cet appareil retrouve ces quatre canaux lors de la lecture.

Les supports Dolby Pro Logic sont marqués du logo .

Le Dolby Digital, à la différence du Dolby Pro Logic, est numérisé, et possède des canaux surround gauche et droit séparés plus un canal supplémentaire pour les effets aux basses fréquences (LFE). Il est aussi appelé Dolby Digital à "5.1" canaux, avec le canal LFE compté comme canal "0.1".

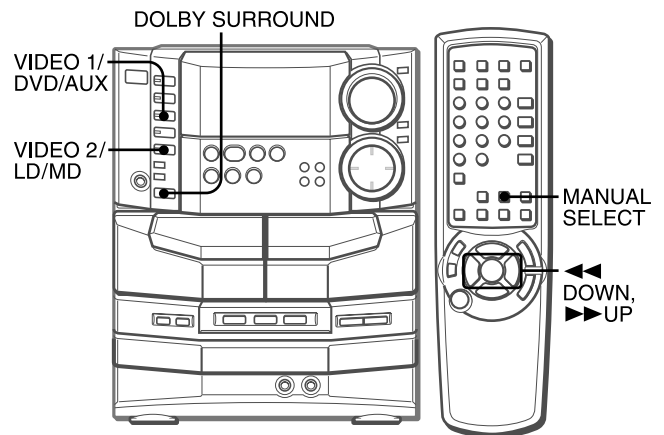
Les supports Dolby Digital sont marqués du logo .

REMARQUE


- Le son Dolby Digital et le son Dolby Pro Logic peuvent seulement être obtenus lors de la lecture de supports marqués des logos correspondants.
- S'assurer que les enceintes fournies sont positionnées et connectées correctement (pages 4 et 5).
- S'assurer que le dispositif vidéo et le téléviseur utilisés sont connectés correctement (page 5). La lecture en Dolby Digital nécessite une connexion numérique entre le dispositif vidéo utilisé et cet appareil.
- S'assurer que le dispositif vidéo utilisé peut lire le médium du support Dolby Digital ou Dolby Pro Logic (LD ou DVD, par exemple). Consulter le mode d'emploi du dispositif utilisé. On ne peut pas lire de DVD sur le lecteur de CD de cet appareil.
- L'entrée numérique externe de cet appareil accepte des signaux de train numérique Dolby Digital, ou des signaux en modulation par impulsions codées (PCM) linéaire d'une fréquence d'échantillonnage de 32 kHz, 44,1 kHz ou 48 kHz. Cet appareil ne peut pas lire de support dont la fréquence d'échantillonnage est de 96 kHz.
- Certains lecteurs de DVD connectés numériquement à cet appareil peuvent provoquer du bruit lors des opérations telles que la recherche d'un disque, le saut d'un chapitre, etc.

LECTURE AVEC SON DOLBY SURROUND

Sélectionner l'entrée numérique pour un disque Dolby Digital, et l'entrée analogique pour un support Dolby Pro Logic.



Ecoute de son Dolby Digital

S'utilise pour les supports marqués du logo .

1 Sélectionner la source.

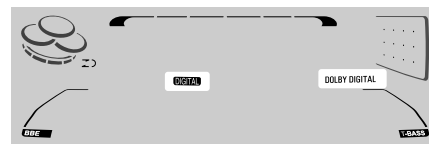
Si le dispositif vidéo utilisé est connecté à la prise DIGITAL IN OPTICAL; tenir VIDEO1/DVD/AUX enfoncée.

Si le dispositif vidéo utilisé est connecté à la prise DIGITAL IN COAXIAL; tenir VIDEO2/LD/MD enfoncée.

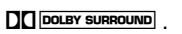
"ANALOG" et "DIGITAL" apparaissent alternativement sur l'affichage. Relâcher la touche quand "DIGITAL" est affiché. L'indicateur DIGITAL s'allume sur l'affichage, et l'entrée numérique à partir du dispositif utilisé est sélectionnée comme source.

2 Mettre la source Dolby Digital en lecture sur le dispositif vidéo utilisé.

L'indicateur DOLBY DIGITAL s'allume sur l'affichage, et la partie audio est reproduite en son Dolby Digital.



Ecoute de son Dolby Pro Logic

S'utilise pour les supports marqués du logo .

1 Sélectionner la source.

Si le dispositif vidéo utilisé est connecté aux prises VIDEO1/DVD/AUX; tenir VIDEO1/DVD/AUX enfoncée.

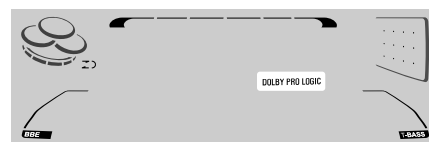
Si le dispositif vidéo utilisé est connecté aux prises VIDEO2/LD/MD; tenir VIDEO2/LD/MD enfoncée.

"ANALOG" et "DIGITAL" apparaissent alternativement sur l'affichage. Relâcher la touche quand "ANALOG" est affiché. L'entrée analogique à partir du dispositif utilisé est sélectionnée comme source.

2 Mettre la source Dolby Pro Logic en lecture sur le dispositif vidéo utilisé.

3 Appuyer sur DOLBY SURROUND.

L'indicateur DOLBY PRO LOGIC s'allume sur l'affichage, et la partie audio est reproduite en son Dolby Pro Logic.



Pour annuler le DOLBY PRO LOGIC

Appuyer sur **DOLBY SURROUND** à plusieurs reprises jusqu'à ce que "OFF" soit affiché.

Pour régler le niveau sonore des enceintes pendant la lecture

Voir "Pour régler la balance des niveaux sans le signal d'essai", page 23.

REMARQUE

- Si un support Dolby Digital est lu via une connexion analogique, le son sera en Dolby Pro Logic.
- Le mode Dolby Digital est automatiquement changé en mode "2ch ST" (voir plus bas) quand un casque est branché.
- Le son Dolby Pro Logic est automatiquement annulé quand un casque est branché.
- Quand le Dolby Digital ou Dolby Pro Logic est actif, on ne peut pas mettre en service le DSP Surround, le système BBE, l'écho ni la fonction Karaoké (sauf dans le cas de Karaoké en Dolby Digital, page 26). "Can't USE" sera affiché.

AUTRES MODES DOLBY SURROUND

Modes Phantom et 3 Stereo

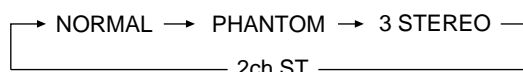
En plus du mode NORMAL (mode par défaut), le Dolby Digital et le Dolby Pro Logic comprennent les modes PHANTOM et 3 STEREO. Ces modes sont à utiliser quand l'enceinte centrale ou les enceintes surround ne sont pas disponibles. Etant donné que toutes les enceintes sont fournies, ces modes ne devraient pas être nécessaires sous des conditions normales d'utilisation de cette chaîne stéréo.

Pour changer le mode Dolby Digital ou Dolby Pro Logic

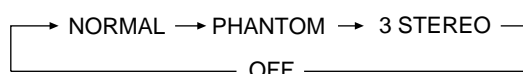
Appuyer sur **DOLBY SURROUND** à plusieurs reprises jusqu'à ce que le mode souhaité soit affiché.

A chaque pression, le mode change comme suit:

[Dolby Digital]



[Dolby Pro Logic]



Mode PHANTOM

Utiliser ce mode quand l'enceinte centrale n'est pas connectée. Les signaux du canal central sont sortis par les enceintes avant.

Mode 3 STEREO

Utiliser ce mode quand les enceintes surround ne sont pas connectées. Les signaux du canal arrière sont sortis par les enceintes avant.

Mode 2ch ST (Dolby Digital) ou OFF (Dolby Pro Logic)

Utiliser ces modes quand ni l'enceinte centrale ni les enceintes surround ne sont connectées.

Le mode "2ch ST" est aussi utilisé lors de la lecture de disques Karaoké en Dolby Digital (page 26).

REMARQUE

Les modes Dolby Digital peuvent seulement être sélectionnés quand une source en Dolby Digital est en cours de lecture via la connexion numérique.

Lecture d'un support Dolby Digital à deux canaux

Certains disques Dolby Digital contiennent seulement deux canaux sonores, et peuvent être ou ne pas être codés en Dolby Pro Logic.

- Pour un support Dolby Digital à deux canaux codé en Pro Logic: Sélectionner le mode NORMAL pour obtenir une sortie par les enceintes surround ainsi que par les enceintes avant gauche et droite.

- Pour un support Dolby Digital à deux canaux qui n'est pas codé en Pro Logic: Sélectionner le mode 2ch ST, vu que les sons surround ne sont pas disponibles.

Vue d'ensemble des modes disponibles

Les tableaux ci-dessous montrent les modes recommandés pour les diverses configurations d'enceintes. Le mode recommandé pour cette chaîne avec les enceintes fournies est indiqué en grisé.

[Dolby Digital]

		Enceinte centrale (fournie)	
		Connectée	Pas connectée
Enceintes surround (fournies)	Connectée	NORMAL	PHANTOM
	Pas connectée	3 STEREO	2ch ST

[Dolby Pro Logic]

		Enceinte centrale (fournie)	
		Connectée	Pas connectée
Enceintes surround (fournies)	Connectée	NORMAL	PHANTOM
	Pas connectée	3 STEREO	OFF

Mode caisson de graves en ou hors service

Si on connecte un caisson de graves optionnel à cet appareil (page 31), régler son mode sur "SUBW ON". Les signaux d'effets aux basses fréquences (LFE) (page 23) sont alors envoyés aux caisson de graves.

Avec le mode "SUBW OFF" (mode par défaut), les signaux LFE sont envoyés aux autres enceintes.

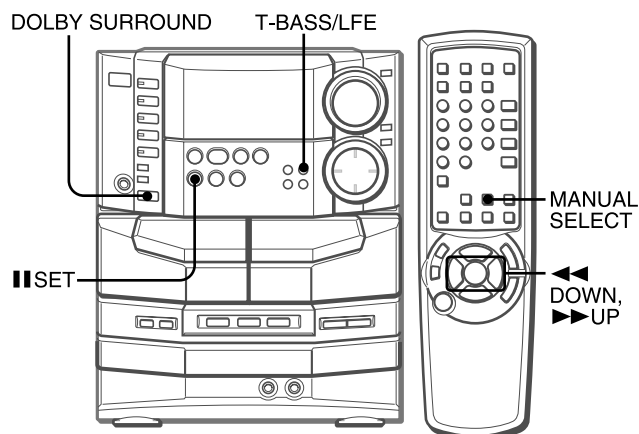
Pour changer le mode du caisson de graves

- 1 Faire une lecture avec son Dolby Digital ou Dolby Pro Logic. Voir "Lecture avec son Dolby Surround" (page 21).
- 2 Appuyer à plusieurs reprises sur **MANUAL SELECT** de la télécommande jusqu'à ce que "SUBW" soit affiché.
- 3 Appuyer sur ◀◀ pour afficher "SUBW OFF" ou sur ▶▶ pour afficher "SUBW ON" et sélectionner ainsi le mode souhaité.

REMARQUE

Le réglage du mode du caisson de graves est commun au Dolby Digital et au Dolby Pro Logic.

BALANCE DES NIVEAUX DES ENCEINTES ET AUTRES REGLAGES



REGLAGE DU NIVEAU SONORE DES ENCEINTES

Pour des performances optimales, le niveau sonore de tous les canaux disponibles doit être réglé en fonction de l'environnement d'écoute.

Les enceintes avant gauche et droite créent l'effet stéréo.

L'enceinte centrale aide à obtenir un positionnement sonore précis sur un large champ sonore.

Les enceintes surround améliorent la "profondeur" du champ sonore.

L'appareil est muni d'un générateur de signal d'essai intégré pour un réglage aisé de la balance des canaux. Le signal d'essai se "déplace" de canal à canal. Régler le niveau sonore de manière à obtenir la même intensité apparente de chaque canal à la position d'écoute.

1 Faire une lecture avec son Dolby Surround.

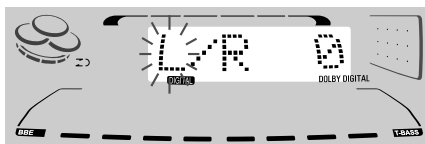
Voir "Lecture avec son Dolby Surround" (page 21).

2 Appuyer sur DOLBY SURROUND à plusieurs reprises pour sélectionner le mode qui correspond à la configuration des enceintes utilisées.

Pour la lecture avec les enceintes fournies, sélectionner "NORMAL".

(Pour les autres modes, voir "Autres modes Dolby Surround", page 22).

3 Tenir MANUAL SELECT enfoncée jusqu'à ce que "L" clignote sur l'affichage.

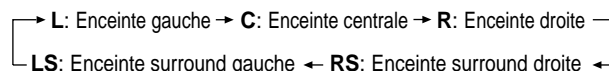


REMARQUE

Une simple pression sur **MANUAL SELECT** (au lieu de la tenir enfoncée) permettra le réglage de niveau sans le signal d'essai. Voir "Pour régler la balance des niveaux sans le signal d'essai", ci-après.

4 Appuyer sur **◀◀ ◀◀** ou **▶▶ ▶▶** de la télécommande pour régler le niveau sonore des enceintes.

Le signal d'essai se déplace automatiquement parmi les canaux dans l'ordre suivant:



L'indication du canal actuellement réglable clignote sur l'affichage. Le canal ne change pas pendant que l'on règle le niveau sonore.

Pour les enceintes avant gauche et droite:

Appuyer sur **◀◀ ◀◀** pour décaler la balance vers la gauche et sur **▶▶ ▶▶** pour la décaler vers la droite.

Pour l'enceinte centrale et les enceintes surround:

Appuyer sur **◀◀ ◀◀** pour atténuer le canal et sur **▶▶ ▶▶** pour le mettre en valeur.

REMARQUE

- Le réglage de niveau n'est disponible que pour les enceintes qui sont activées (c.-à-d., pas de réglage d'enceinte centrale dans le mode Phantom, et pas de réglage d'enceinte surround dans le mode 3 Stereo).
- Le réglage des niveaux des enceintes est commun aux systèmes Dolby Digital, Dolby Pro Logic et DSP Surround.
- Un cliquetis peut être audible avec le signal d'essai lors du réglage de niveau. Ceci est dû aux caractéristiques des circuits et n'est pas une panne.

Pour arrêter le signal d'essai

Appuyer sur **MANUAL SELECT**.

Pour arrêter le réglage des niveaux des enceintes

Appuyer sur **■**.

Pour régler la balance des niveaux sans le signal d'essai

- 1 Faire une lecture avec son Dolby Surround.
- 2 Appuyer sur **DOLBY SURROUND** à plusieurs reprises pour sélectionner le mode qui correspond à la configuration des enceintes utilisées.
- 3 Appuyer sur **MANUAL SELECT** à plusieurs reprises jusqu'à ce que "L/R" soit affiché.
- 4 Appuyer sur **◀◀ ◀◀** ou **▶▶ ▶▶** de la télécommande pour régler la balance des enceintes avant.
- 5 Répéter les étapes 3 et 4 pour régler la balance de l'enceinte centrale et des enceintes surround.

REGLAGE DU NIVEAU D'EFFET AUX BASSES FREQUENCES

Le Dolby Digital possède un canal distinct pour les effets aux basses fréquences (LFE), qui reproduit les sons tels que les explosions et les grondements des bandes-son de film avec un réalisme étonnant.

On peut régler le niveau sonore d'effet aux basses fréquences comme on préfère.

Le LFE n'est pas disponible pour le Dolby Pro Logic.

1 Faire une lecture avec son Dolby Surround.

Voir "Lecture avec son Dolby Surround" (page 21).

2 Tenir T-BASS/LFE enfoncée jusqu'à ce que "LFE" soit affiché.

3 Appuyer sur **◀◀** ou **▶▶** à plusieurs reprises pour régler le niveau sonore de LFE.

Régler entre OFF et 0 dB (niveau maximal; réglage par défaut).

REGLAGE DU TEMPS DE RETARD

De manière à obtenir l'effet de "profondeur", les sons provenant des enceintes surround sont reproduits une fraction de seconde après ceux provenant des enceintes avant. Ce temps de retard, ainsi que celui pour l'enceinte centrale, est réglable.

1 Faire une lecture avec son Dolby Surround.

Voir "Lecture avec son Dolby Surround" (page 21).

2 Appuyer à plusieurs reprises sur **MANUAL SELECT** de la télécommande pour sélectionner le temps de retard à régler.

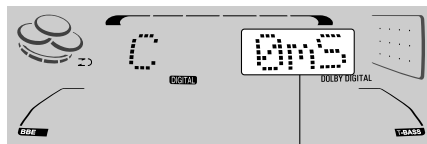
"C Xms": réglage du temps de retard pour l'enceinte centrale
"S Xms": réglage du temps de retard pour les enceintes surround

3 Appuyer sur **◀◀** **◀** ou **▶** **▶▶** pour régler le temps de retard.

[Enceinte centrale]

Régler le temps de retard de manière que les dialogues du film soient audibles de façon claire et naturelle.

Le réglage par défaut est 0 milliseconde (pas de retard). Régler entre 0 et 5 ms par paliers de 1 ms.



0mS ↔ 1mS ↔ 2mS ↔ 3mS ↔ 4mS ↔ 5mS

[Enceintes surround]

Régler le temps de retard comme on préfère.

Dolby Digital

Le réglage par défaut est 5 ms. Régler entre 0 et 15 ms par paliers de 5 ms.

Dolby Pro Logic

Le réglage par défaut est 20 ms. Régler entre 15 et 30 ms par paliers de 5 ms.

REMARQUE

- Le réglage du temps de retard en Dolby Digital affecte celui du Dolby Pro Logic, et vice versa. En Dolby Digital, les temps de retard de 0 ms, 5 ms, 10 ms et 15 ms correspondent respectivement à 15 ms, 20 ms, 25 ms et 30 ms en Dolby Pro Logic.
- Le réglage du temps de retard n'est disponible que pour les enceintes qui sont activées (c.-à-d., pas de réglage d'enceinte centrale dans le mode Phantom, et pas de réglage d'enceinte surround dans le mode 3 Stereo).

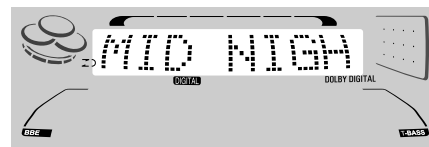
REGLAGE DE LA GAMME DYNAMIQUE

En Dolby Digital, la gamme dynamique entre les sons doux et forts est réglable pour adaptation au volume de lecture souhaité. Le réglage de gamme dynamique n'est pas disponible pour le Dolby Pro Logic.

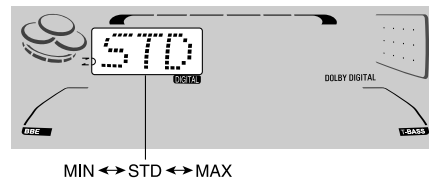
1 Faire une lecture avec son Dolby Digital.

Voir "Lecture avec son Dolby Surround" (page 21).

2 Tenir **|| SET** enfoncée jusqu'à ce que "MIDNIGHT THEATER" apparaisse sur l'affichage.



3 Appuyer sur **◀** ou **▶** pour sélectionner le mode souhaité.



[MIN]

Donne la compression minimale de la gamme dynamique. Pour l'obtention de la totalité de la dynamique de la bande-son comme au cinéma.

[STD]

Donne la compression standard de la gamme dynamique recommandée par les producteurs de support pour l'écoute à domicile. Ceci est le réglage par défaut.

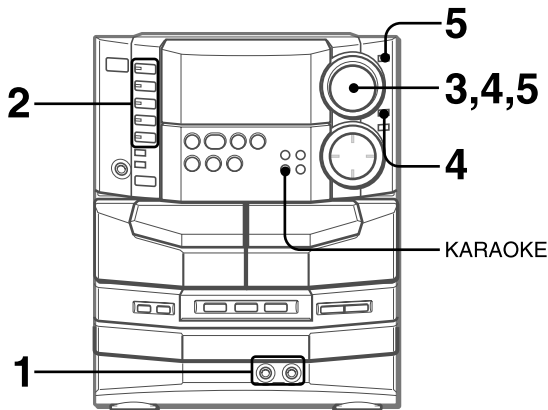
[MAX]

Donne la compression maximale de la gamme dynamique. Garde les sons doux et les dialogues intelligibles même quand le volume général est bas. Sélectionner ce mode quand on doit garder le volume bas, par exemple, lors de l'écoute tard le soir.

REMARQUE

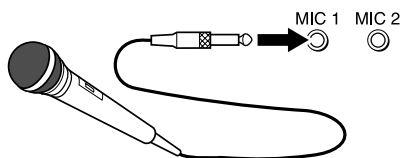
Pendant l'enregistrement, **|| SET** agit comme touche de pause.

MIXAGE AVEC MICROPHONE



Pour chanter avec accompagnement par une source musicale, on peut brancher deux microphones (pas fournis) à cet appareil. Utiliser des microphones à fiche standard (6,3 mm Ø).

1 Brancher les microphones aux prises MIC 1 et MIC 2.



2 Appuyer sur une des touches de fonction pour sélectionner la source à mixer, et mettre cette source en lecture.

3 Régler le volume et la tonalité de la source.

4 Appuyer sur MIC puis tourner VOLUME dans les quatre secondes pour régler le volume de microphone.

Le volume de microphone peut être sélectionné de 1 à MAX (7) ou OFF (annulation).

Le volume des deux microphones est réglé simultanément.

5 Appuyer sur ECHO puis tourner VOLUME dans les quatre secondes pour régler le niveau d'écho.

Le niveau d'écho peut être sélectionné de 1 à MAX (7) ou OFF (annulation).

Pour changer le temps de retard de l'écho

Tenir **ECHO** enfoncée tandis que l'écho est en service. Les réglages "L" (Long) et "M" (Moyen) sont affichés alternativement. Relâcher la touche quand le réglage souhaité est affiché.

Pour enregistrer le son de microphone mixé avec la source sonore

Suivre la procédure d'enregistrement à partir de la source (voir page 17).

SYNC DUB ne peut pas être utilisée pour l'enregistrement de mixage.

Quand on n'utilise pas les microphones

Régler le volume de microphone et le niveau d'écho sur OFF et débrancher les microphones des prises **MIC**.

REMARQUE

- Le volume de microphone et le niveau d'écho sont remis sur OFF automatiquement quand on change la fonction, coupe l'alimentation ou débranche le cordon secteur.
- Quand on change le niveau d'écho, le système DSP SURROUND est automatiquement annulé.
- L'écho n'est pas disponible pour le son Dolby Surround.

- Si le son d'un microphone est extrêmement fort, il peut être déformé. Le cas échéant, baisser le volume de microphone.
- Quand la fonction est changée, les réglages de volume de microphone et de niveau d'écho sont annulés.

Microphones recommandés

L'utilisation de microphones de type unidirectionnel est recommandée pour éviter le hurlement. Pour plus de détails, contacter le distributeur Aiwa local

FONCTIONS VOCAL FADER/MULTIPLEX

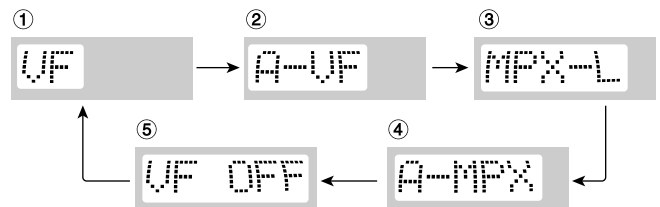
Cet appareil permet l'emploi de disques ou de cassettes comme sources Karaoke.

Utiliser la fonction Vocal Fader pour des disques ou cassettes ordinaires.

Utiliser la fonction Multiplex pour des disques ou cassettes multi audio.

Appuyer sur KARAOKE à plusieurs reprises pour sélectionner la fonction Vocal Fader ou Multiplex.

A chaque pression sur **KARAOKE**, une de ces fonctions est sélectionnée de manière cyclique.



① Vocal Fader

La partie vocale devient plus douce que l'accompagnement.

② Auto Vocal Fader

La partie vocale devient plus douce uniquement pendant qu'il y a une entrée audio par un microphone.

③ Multiplex

Seul le son du canal gauche est audible par les deux enceintes et le son du canal droit est atténué

④ Auto Multiplex

Le son du canal gauche est audible par les deux enceintes et le son du canal droit est atténué uniquement pendant qu'il y a une entrée audio par un microphone.

⑤ Annulation

Pour changer le réglage du retard de la fonction Auto Vocal Fader ou Auto Multiplex

La partie vocale atténuée peut être rétablie plus rapidement. Quand la fonction Auto Vocal Fader ou Auto Multiplex est sélectionnée, "A-VF" ou "A-MPX" est affiché pendant trois secondes puis l'affichage passe au nom de la fonction sélectionnée. Une fois que le nom de la fonction sélectionnée est affiché, tenir **KARAOKE** enfoncée jusqu'à ce que "FAST" soit affiché.

Pour revenir au réglage initial, sélectionner SLOW.

Quand l'alimentation est coupée, SLOW est sélectionné.

Pour changer le canal audible de la fonction Multiplex

Quand la fonction Multiplex est sélectionnée, "MPX-L" est affiché pendant trois secondes puis l'affichage passe au nom de la fonction sélectionnée. Une fois que le nom de la fonction sélectionnée est affiché, tenir **KARAOKE** enfoncée jusqu'à ce que "MPX-R" soit affiché.

Pour revenir au réglage initial, sélectionner MPX-L.

Quand l'alimentation est coupée, MPX-L est sélectionné.

REMARQUE

- La fonction Karaoké risque de ne pas fonctionner correctement avec les disques compacts ou cassettes:
 - dont le son est monophonique
 - enregistrés avec de forts échos
 - dont la partie vocale est enregistrée seulement sur la droite ou la gauche du spectre sonore
- Quand la fonction Karaoké est en service, le son est sorti en monophonie.
- La fonction VOCAL FADER est automatiquement annulée:
 - quand on appuie sur une des touches de fonction
 - quand le système Dolby Pro Logic est activé
- La fonction VOCAL FADER/MULTIPLEX ne peut pas être mise en service:
 - lorsque le système Dolby Pro Logic est actif
 - lorsque l'entrée numérique est sélectionnée (sauf pendant la lecture de disques Karaoké en Dolby Digital avec le mode 2CH STEREO, comme expliqué ci-après).

UTILISATION DE DISQUES KARAOKE EN DOLBY DIGITAL

Grâce au décodeur Dolby Digital intégré de cet appareil, on peut utiliser des disques Karaoké en Dolby Digital lus sur un dispositif vidéo compatible connecté à cet appareil.

1 Mettre le disque Karaoké Dolby Digital en lecture.

Voir "Lecture avec son Dolby Surround" (page 21).

2 Appuyer sur DOLBY SURROUND à plusieurs reprises pour sélectionner le mode 2CH STEREO.

L'indicateur 2CH DOWNMIX s'allume sur l'affichage.

Voir "Autres modes Dolby Surround", page 22.

3 Appuyer sur KARAOKE à plusieurs reprises pour sélectionner une fonction Vocal Fader ou Multiplex.

A chaque pression sur **KARAOKE**, une de ces fonctions est sélectionnée de façon cyclique comme indiqué ci-dessous:

① VF: mode Vocal Fader

V1 (partie vocale 1) est coupée. Lors de la lecture de disques duo, V2 (partie vocale 2) est également coupée.

② A-VF: mode Auto Vocal Fader

Lorsqu'il y a une entrée audio par un microphone, V1 est coupée. Lors de la lecture de disques duo, V2 est également coupée.

③ MPX-L ou MPX-R: mode Multiplex

Ce mode est disponible seulement lors de la lecture de disques duo.

MPX-L: V1 est sortie par le canal gauche et V2 du canal droit est coupée.

MPX-R: V2 est sortie par le canal droit et V1 du canal gauche est coupée.

④ A-MPX: mode Auto Multiplex

Ce mode est disponible seulement lors de la lecture de disques duo. Lorsqu'il y a une entrée audio par un microphone, le canal droit ou le canal gauche est coupé, suivant le réglage du mode Multiplex.

⑤ VF OFF: lecture normale

V1 est sortie par les deux canaux lors de la lecture de disques solo. Pour les disques duo, V1 est sortie par le canal gauche et V2 par le canal droit.

REMARQUE

L'écho n'est pas disponible pour le son Dolby Surround.

Fonction de guide mélodique

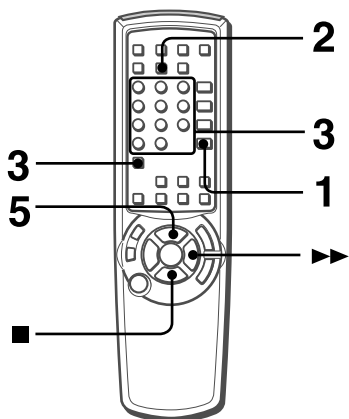
Certains disques Karaoké en Dolby Digital sont dotés de la fonction de guide mélodique; la partie vocale principale est reproduite par un instrument au lieu de par la voix du chanteur.

Pour mettre la fonction de guide mélodique hors service, appuyer sur **|| SET** de manière que "MELODY OFF" apparaisse sur l'affichage.

A chaque pression sur la touche, la fonction de guide mélodique est mise en ou hors service.

Lors de la lecture de disques qui ne supportent pas cette fonction, "NO MELODY" apparaît sur l'affichage.

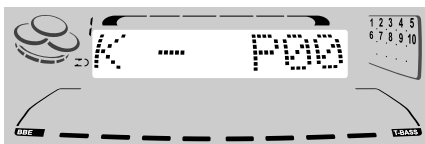
PROGRAMME DE KARAOKE



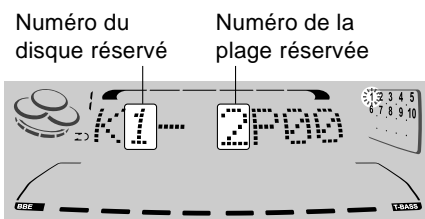
Avant ou pendant la lecture de disque compact, on peut réserver jusqu'à quinze plages à lire après la plage courante. Chaque réservation est effacée quand sa lecture est terminée.

Utiliser la télécommande.

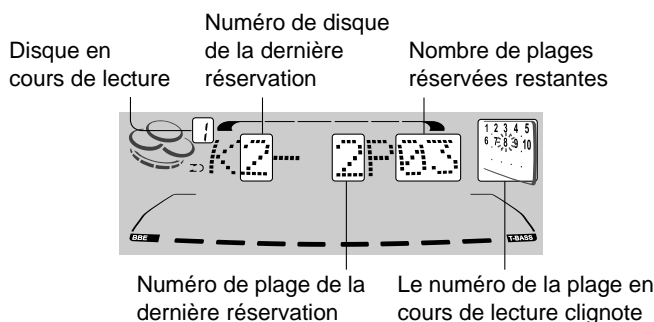
- 1 Appuyer sur CD et mettre les disques en place.
- 2 Appuyer une fois sur PRGM.



- 3 Appuyer sur DISC DIRECT PLAY et, dans les trois secondes, appuyer sur 1, 2 ou 3 pour sélectionner un disque. Ensuite, programmer une plage à l'aide des touches numériques 0-9 et +10.



- 4 Répéter l'étape 3 pour réserver d'autres plages.
- 5 Appuyer sur ◀▶ pour démarrer la lecture. Une fois qu'une plage est lue, elle est effacée du programme.



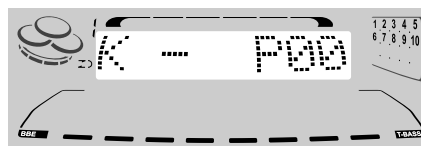
Pour ajouter une réservation pendant la lecture
Répéter l'étape 3.

Pour contrôler les plages réservées
Appuyer sur CD EDIT/CHECK à plusieurs reprises. A chaque pression, un numéro de disque et un numéro de plage sont affichés dans l'ordre réservé.

Pour arrêter la lecture
Appuyer sur ■.
Quand on appuie sur ◀▶, la lecture redémarre à la dernière plage.

Pour sauter la plage en cours de lecture
Appuyer sur ▶▶. La plage sautée est effacée du programme.

Pour effacer toutes les réservations
Appuyer sur ▶▶ à plusieurs reprises jusqu'à ce que "K - P00" soit affiché.

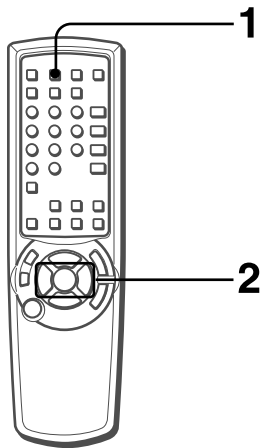


Pour annuler le programme de Karaoke, appuyer une fois de plus sur cette touche. L'affichage repasse à celui de la lecture de disque compact.

REMARQUE

- Si le numéro de plage réservé n'existe pas sur le disque sélectionné, l'appareil arrête la lecture et l'affichage clignote. Dans ce cas, appuyer sur ▶▶ pour sauter l'erreur. Ensuite, appuyer sur ◀▶ pour démarrer la lecture à la plage réservée suivante.
- Si on appuie plusieurs fois sur PRGM à l'étape 2, "PRGM" est affiché et l'appareil passe au mode lecture programmée de disque compact (voir page 16). Pour annuler la lecture programmée, appuyer sur ■ CLEAR.

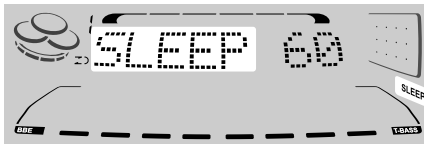
REGLAGE DE LA MINUTERIE D'ARRÊT



L'appareil peut être mis hors tension automatiquement au bout d'un temps spécifié.

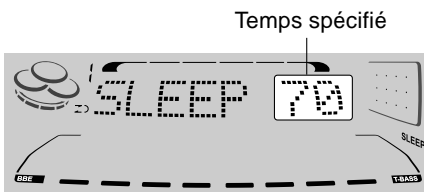
Utiliser la télécommande.

1 Appuyer sur SLEEP.



2 Dans les quatre secondes, appuyer sur ◀◀ DOWN ou ▶▶ UP pour spécifier le temps jusqu'à la mise hors tension.

Le temps change entre 5 et 240 minutes par pas de 5 minutes. On peut aussi utiliser MULTI JOG au lieu de ◀◀ ou ▶▶.



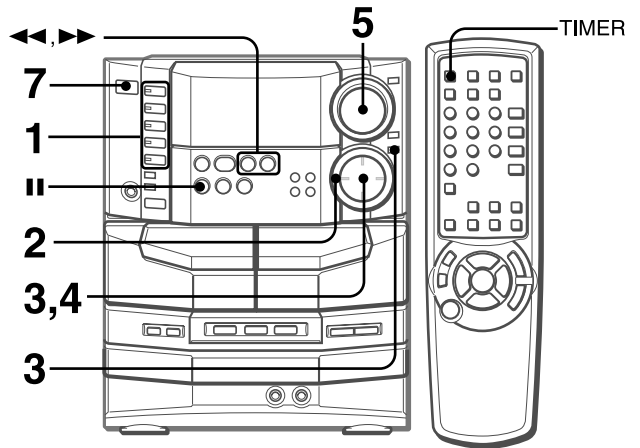
Pour contrôler le temps restant jusqu'à la mise hors tension

Appuyer une fois sur SLEEP. Le temps restant est affiché pendant quatre secondes.

Pour annuler la minuterie d'arrêt

Appuyer deux fois sur SLEEP de manière que "SLEEP OFF" apparaisse sur l'affichage.

REGLAGE DE LA MINUTERIE



Avec la minuterie intégrée, l'appareil peut être mis sous tension chaque jour à l'heure spécifiée.

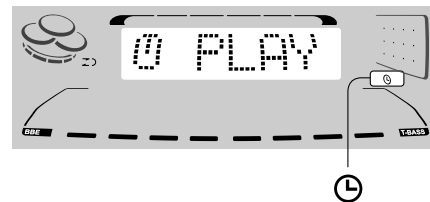
Préparation

S'assurer que l'horloge est réglée correctement.

1 Appuyer sur une des touches de fonction pour sélectionner une source.

2 Appuyer sur TIMER à plusieurs reprises jusqu'à ce que "⌚" apparaisse sur l'affichage.

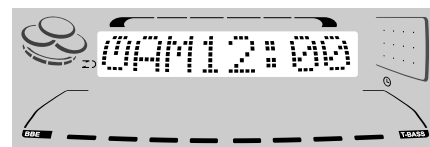
L'heure et le nom de la source audio clignotent alternativement.



3 Dans les six secondes, tourner MULTI JOG pour spécifier l'heure de la mise sous tension par la minuterie, puis appuyer sur ENTER ou ||.

La rotation de MULTI JOG change à la fois les heures et les minutes.

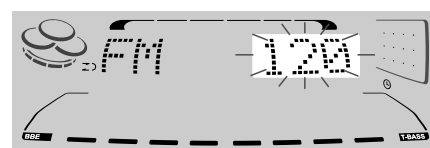
On peut aussi utiliser ◀◀ ou ▶▶ au lieu de MULTI JOG. Le fait de tenir ces touches enfoncées fait varier l'heure rapidement.



4 Dans les quatre secondes, tourner MULTI JOG pour sélectionner la durée de la mise sous tension par la minuterie.

La durée peut être spécifiée entre 5 et 240 minutes par pas de 5 minutes.

On peut aussi utiliser ◀◀ ou ▶▶ au lieu de MULTI JOG.



La durée est automatiquement réglée au bout de quatre secondes. Elle est aussi réglée si on appuie sur ENTER ou || dans les quatre secondes après l'étape 4.

5 Régler le volume.

Lors de la mise sous tension par la minuterie, le son de la source sera reproduit au niveau du volume réglé à cette étape. Toutefois, si le niveau du volume est réglé à 21 ou plus, il sera automatiquement réglé à 20 lors de la mise sous tension.

6 Préparer la source.

Pour écouter un disque compact, mettre le disque à lire en premier en place sur le plateau 1.

Pour écouter une cassette, l'insérer dans la platine 1 ou 2.

Pour écouter la radio, sélectionner la gamme et accorder sur une station.

7 Appuyer sur POWER pour mettre l'appareil hors tension.

Quand l'heure de la mise sous tension par la minuterie est atteinte, l'appareil est mis sous tension et la lecture commence sur la source sélectionnée.

REMARQUE

En appuyant sur une des touches de fonction avant d'appuyer sur **ENTER** ou **II** à l'étape 3, on peut changer la source sélectionnée à l'étape 1.

Pour contrôler le réglage de la minuterie

Appuyer sur **TIMER**.

L'heure de la mise sous tension par la minuterie, la source sélectionnée et la durée de la mise sous tension par la minuterie sont affichées pendant quatre secondes.

Pour changer un réglage

Recommencer à partir de l'étape 1.

Toutefois, si on ne change pas l'heure de la mise sous tension par la minuterie, appuyer deux fois sur **ENTER** à l'étape 3 et continuer à partir de l'étape 4.

Pour annuler provisoirement le mode attente de minuterie

Appuyer sur **TIMER** à plusieurs reprises de manière que "⌚" disparaisse.

Pour rétablir le mode attente de minuterie, appuyer de nouveau sur la touche de manière que "⌚" soit affiché.

Utilisation de l'appareil lorsque la minuterie est réglée

On peut utiliser l'appareil normalement après avoir réglé la minuterie.

Avant de mettre l'appareil hors tension, effectuer les étapes 5 et 6.

Pour commander la lecture d'une source externe par minuterie

Sélectionner la source appropriée à l'étape 1 (voir "Ecoute de sources externes", page 32). Un appareil connecté ne peut pas être mis sous et hors tension par la minuterie intégrée de l'appareil principal. Utiliser une minuterie externe.

REMARQUE

La lecture et l'enregistrement commandés par la minuterie ne se feront pas si l'appareil n'est pas mis hors tension.

ENREGISTREMENT COMMANDE PAR MINUTERIE

L'enregistrement commandé par minuterie n'est possible que pour le TUNER ou pour des sources analogiques externes.

Pour une source externe, utiliser une minuterie externe.

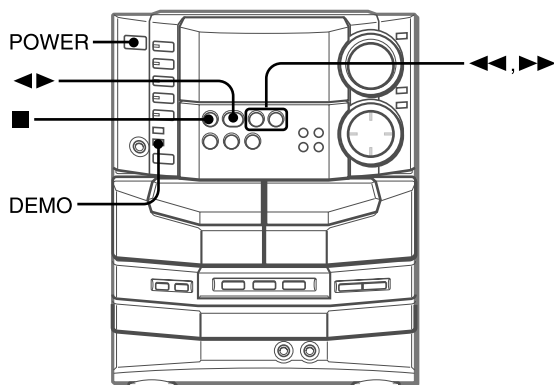
L'entrée numérique provenant d'un dispositif externe ne peut pas être enregistrée.

Appuyer sur **TUNER/BAND** ou **VIDEO1/DVD/AUX** pour sélectionner une source, puis appuyer sur **TIMER** à plusieurs reprises jusqu'à ce que "⊖ REC" apparaisse sur l'affichage. Dans les six secondes, effectuer les étapes de la partie "REGLAGE DE LA MINUTERIE" à partir de l'étape 3 et, après l'étape 6, insérer la cassette à enregistrer dans la platine 2.

REMARQUE

- Si l'enregistrement commandé par minuterie est fait avec le mode économie d'énergie (page 7) réglé sur "ECO ON" ou "ECO AUTO" et si l'appareil se met hors tension, la luminosité sera réglée sur le niveau minimal et le niveau du volume sera 0 (niveau minimal) lors de la mise sous tension suivante.
- On ne peut pas utiliser la fonction minuterie pour enregistrer à partir d'un disque compact ou d'une cassette.
- On peut contrôler le réglage de la minuterie en appuyant sur **TIMER** même quand l'alimentation est coupée. Dans ce cas, si on appuie sur **ENTER** ou sur **II** dans les quatre secondes après avoir appuyé sur **TIMER**, on peut passer au mode réglage de minuterie et changer le réglage précédent.

DEMO (Démonstration)



On peut profiter de deux sortes de modes DEMO sur cet appareil. L'une est une *démonstration*, l'autre est un *jeu*. Dans le mode démonstration, un éclairage chatoyant apparaît sur l'affichage. Dans le mode jeu, on peut s'amuser.

Pour passer d'un mode à l'autre, appuyer sur **POWER** tout en appuyant sur **DEMO** quand l'alimentation est coupée.

Utilisation du jeu Demo

1 Appuyer sur DEMO, que l'appareil soit sous ou hors tension, et que l'horloge soit réglée ou pas.

2 Appuyer sur ◀▶.

Trois chiffres se déplacent sur l'affichage.

3 Appuyer une fois sur ■.

Le chiffre de gauche s'arrête.

4 Appuyer deux fois sur ■ pour arrêter les deux autres chiffres.

Marque:

On dispose de 20 points au démarrage du jeu.

Si les trois chiffres sont égaux, 50 points sont ajoutés au score.

Si les chiffres ne sont pas égaux, un point est soustrait.

Si le score atteint 9999, on a gagné.

Si le score tombe à 0, on a perdu.

Pour annuler le jeu Demo

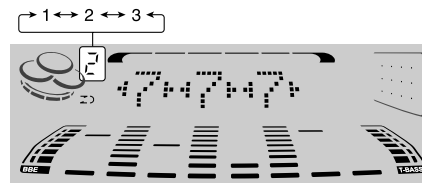
Appuyer sur **DEMO**.

Pour réinitialiser le jeu Demo

Appuyer deux fois sur **DEMO**.

Pour changer la probabilité d'égalisation des trois chiffres

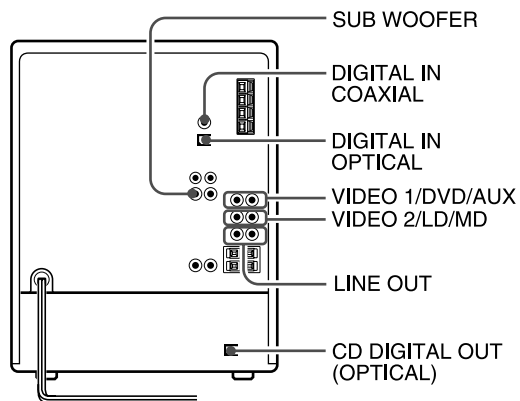
Appuyer sur ◀◀ ou ▶▶ à plusieurs reprises pour sélectionner un des trois niveaux de probabilité lors de l'utilisation du jeu Demo. L'indicateur de numéro de plateau change entre 1 et 3 sur l'affichage. La probabilité d'égalisation augmente comme le numéro de plateau augmente de 1 à 3.



REMARQUE

- Pendant l'utilisation du jeu Demo, ■, ◀◀, ▶▶ et ◀▶ ne sont disponibles que pour ce jeu. Pour utiliser ces touches pour les fonctions telles que lecture de disque compact ou autre, annuler le jeu Demo.
- Pendant le jeu Demo, certains indicateurs sans rapport avec l'utilisation en cours s'allument sur l'affichage.
- Pendant l'enregistrement, **DEMO** est bloquée et ne fonctionne pas.
- Le jeu Demo est automatiquement annulé si on règle le volume quand l'appareil est sous tension.
- Le mode DEMO ne peut pas être utilisé quand le Dolby Digital est activé.

CONNEXION D'UN APPAREIL OPTIONNEL



Pour plus de détails, se reporter au mode d'emploi de l'appareil connecté.

- Les cordons de raccordement ne sont pas fournis. Se procurer les cordons nécessaires.
- Pour les appareils optionnels disponibles, consulter le distributeur Aiwa local.

PRISES VIDEO1/DVD/AUX OU VIDEO2/LD/MD

Cet appareil peut recevoir des signaux sonores analogiques d'entrée par ces prises.

Utiliser un câbles à fiches RCA pour connecter un dispositif audio (tourne-disque, lecteur de disque laser, lecteur de minidisque, magnétophone, téléviseur, etc.).

Connecter la fiche rouge à la prise **R**, et la fiche blanche à la prise **L**.

- Quand un dispositif audio est connecté aux prises **VIDEO2/LD/MD** et quand cette entrée est sélectionnée, aucun son ne sort par les prises **LINE OUT**.

Pour connecter un tourne-disque

Utiliser un tourne-disque Aiwa muni d'un amplificateur à égaliseur intégré.

PRISES LINE OUT

Cet appareil peut sortir les signaux sonores analogiques par ces prises.

Utiliser un câble à fiches phono RCA pour connecter un appareil audio muni de prises **LINE IN** (entrée analogique).

Connecter la fiche rouge à la prise **LINE OUT R** et la fiche blanche à la prise **LINE OUT L**.

REMARQUE

Ne pas connecter un dispositif aux prises **LINE OUT** et aux prises **VIDEO1/DVD/AUX** de cet appareil en même temps. Cela générerait des parasites et pourrait provoquer une panne.

PRISE SUB WOOFER

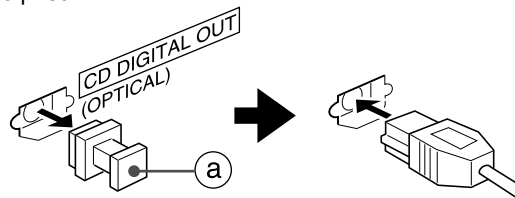
Connecter un caisson de graves alimenté optionnel muni d'un amplificateur intégré à cette prise.

Sélectionner le mode du caisson de graves (page 22).

PRISE CD DIGITAL OUT (OPTICAL)

Cet appareil peut sortir les signaux sonores numériques de disque compact par cette prise.

Utiliser un câble optique pour connecter un appareil audio numérique (platine DAT, enregistreur de minidisque, etc.). Enlever le capuchon antipoussière **(a)** de la prise **CD DIGITAL OUT (OPTICAL)**. Ensuite, connecter la fiche d'un câble optique à cette prise.



Quand la prise CD DIGITAL OUT (OPTICAL) n'est pas utilisée

Mettre en place le capuchon antipoussière fourni.

PRISES DIGITAL IN

Cet appareil peut recevoir des signaux Dolby Digital ainsi que des signaux en modulation par impulsions codées (PCM) (signaux audio numériques ordinaires utilisés, par exemple, dans les CD audio) provenant d'un dispositif numérique externe par ses deux prises **DIGITAL IN**.

Pour connecter à la prise **DIGITAL IN OPTICAL**, enlever le capuchon antipoussière de cette prise et utiliser un câble optique optionnel.

Pour connecter à la prise **DIGITAL IN COAXIAL**, utiliser un câble coaxial optionnel.

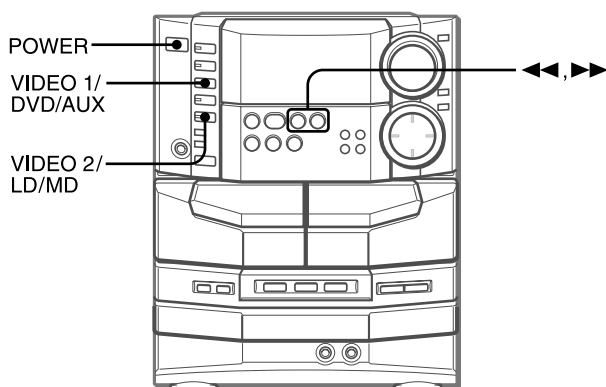
Quand la prise DIGITAL IN OPTICAL n'est pas utilisée

Mettre en place le capuchon antipoussière fourni.

REMARQUE

- Les signaux entrant par les prises **DIGITAL IN**
 - ne sont pas affichés graphiquement sur l'analyseur de spectre
 - ne peuvent pas être enregistrés.
- Pour ces raisons, nous recommandons de faire aussi une connexion analogique pour le dispositif numérique utilisé. L'entrée analogique activera l'analyseur de spectre et permettra l'enregistrement analogique en mode stéréophonique à deux canaux sur cet appareil. Dans le cas d'un dispositif numérique connecté à la prise **DIGITAL IN OPTICAL**, le connecter aussi aux prises **VIDEO1/DVD/AUX**. Dans le cas d'un dispositif connecté à la prise **DIGITAL IN COAXIAL**, le connecter aussi aux prises **VIDEO2/LD/MD**.
- Pour sélectionner l'entrée analogique ou numérique, voir "Ecoute de sources externes" (page 32).

ECOUTE DE SOURCES EXTERNES



UTILISATION D'UNE SOURCE ANALOGIQUE EXTERNE

Pour utiliser le dispositif connecté aux prises **VIDEO1/DVD/AUX** ou **VIDEO2/LD/MD**, procéder comme décrit ci-dessous.

1 Sélectionner l'entrée.

Pour utiliser le dispositif connecté aux prises **VIDEO1/DVD/AUX**, tenir **VIDEO1/DVD/AUX** enfoncée.

Pour utiliser le dispositif connecté aux prises **VIDEO2/LD/MD**, tenir **VIDEO2/LD/MD** enfoncée.

"ANALOG" et "DIGITAL" apparaissent alternativement sur l'affichage. Relâcher la touche quand "ANALOG" est affiché. L'entrée analogique à partir du dispositif utilisé est sélectionnée comme source.

2 Mettre le dispositif connecté en lecture.

Pour changer l'affichage du nom de source

Quand la source analogique est sélectionnée avec **VIDEO1/DVD/AUX**, "VIDEO1" est affiché initialement comme nom de source. Ce nom peut être remplacé par "DVD" ou "AUX".

De façon similaire, "VIDEO2" est initialement affiché pour la source analogique sélectionnée avec **VIDEO2/LD/MD**, mais ce nom peut être remplacé par "LD" ou "MD".

L'appareil étant sous tension, tenir la touche de fonction souhaitée (**VIDEO1/DVD/AUX** ou **VIDEO2/LD/MD**) enfoncée et appuyer sur **POWER** à plusieurs reprises pour sélectionner un nom.

Pour régler le niveau sonore de la source externe

Cet appareil est muni d'un indicateur de surcharge. Quand l'entrée de signaux analogiques par l'appareil connecté est trop haute, "OVERLOAD" s'allume sans interruption sur l'affichage. Quand ceci se produit, ou quand le niveau sonore de la source externe est très inférieur à celui des autres sources, faire un réglage comme décrit ci-dessous.

- 1 Tenir **VIDEO1/DVD/AUX** ou **VIDEO2/LD/MD** enfoncée pour sélectionner l'entrée analogique, puis mettre l'appareil en lecture.
- 2 Appuyer sur ◀◀ ou ▶▶ de manière que le niveau sonore soit le même que celui des autres sources.

REMARQUE

- Pendant l'enregistrement, le niveau sonore ne peut pas être réglé.
- Seul le niveau sonore des sources analogiques externes peut être réglé. Si on appuie sur ◀◀ ou ▶▶ quand une source numérique externe est sélectionnée, le niveau sonore de la source analogique externe correspondante est changé.

UTILISATION D'UNE SOURCE NUMERIQUE EXTERNE

Pour utiliser le dispositif connecté à la prise **DIGITAL IN OPTICAL** ou **DIGITAL IN COAXIAL**, procéder comme décrit ci-dessous.

1 Sélectionner l'entrée.

Pour utiliser le dispositif connecté à la prise **DIGITAL IN OPTICAL**, tenir **VIDEO1/DVD/AUX** enfoncée.

Pour utiliser le dispositif connecté à la prise **DIGITAL IN COAXIAL**, tenir **VIDEO2/LD/MD** enfoncée.

"ANALOG" et "DIGITAL" apparaissent alternativement sur l'affichage. Relâcher la touche quand "DIGITAL" est indiqué. L'indicateur **DIGITAL** s'allume sur l'affichage, et l'entrée numérique à partir du dispositif connecté est sélectionnée comme source.

2 Mettre le dispositif connecté en lecture.

Pour lire un support Dolby Digital

Cet appareil est muni d'un décodeur Dolby Digital. On peut obtenir un véritable son cinématographique à domicile en effectuant la lecture d'un support Dolby Digital sur un dispositif vidéo compatible connecté numériquement à cet appareil.

Pour la lecture d'un support Dolby Digital, voir la partie "Dolby Surround" (pages 21 à 24).

REMARQUE

- Cet appareil supporte les signaux de train numérique Dolby Digital et les signaux en modulation par impulsions codées (PCM) linéaire d'une fréquence d'échantillonnage de 32 kHz, 44,1 kHz ou 48 kHz. Cet appareil ne peut pas lire de support dont la fréquence d'échantillonnage est de 96 kHz.
- Certains lecteurs de DVD connectés numériquement à cet appareil peuvent provoquer du bruit lors des opérations telles que la recherche d'un disque, le saut d'un chapitre, etc.

SOINS ET ENTRETIEN

Un entretien et des soins réguliers de l'appareil et des disques et cassettes sont nécessaires pour assurer un fonctionnement optimal.

Nettoyage du coffret

Utiliser un chiffon doux et sec.

Si l'appareil est extrêmement sale, utiliser un chiffon doux légèrement imbibé d'une solution détergente douce. Afin de ne pas altérer le fini de l'appareil, ne pas utiliser de solvants forts, tels que de l'alcool, de la benzine ou du diluant.

Nettoyage des têtes du magnétocassette

Quand les têtes du magnétocassette sont sales:

- il n'y a pas de sons aigus
- le son est trop faible
- le son est déséquilibré
- l'effacement d'une cassette est impossible
- l'enregistrement d'une cassette est impossible

Toutes les dix heures d'utilisation, nettoyer les têtes du magnétocassette avec une cassette prévue à cet effet.

Pour plus de détails, se référer au mode d'emploi de la cassette de nettoyage.

Démagnétisation des têtes du magnétocassette

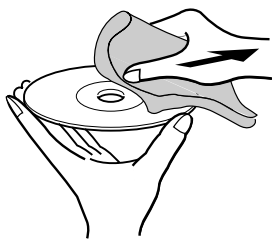
A la longue, les têtes du magnétocassette peuvent devenir magnétisées. Ceci peut restreindre la plage de sortie des cassettes enregistrées et augmenter le bruit.

A l'aide d'une cassette de démagnétisation disponible dans le commerce, démagnétiser les têtes du magnétocassette toutes les 20 à 30 heures d'utilisation.

Pour plus de détails, se référer au mode d'emploi de la cassette de démagnétisation.

Soins des disques

- Si un disque est sale, l'essuyer du centre vers l'extérieur avec un chiffon de nettoyage.



- Après la lecture d'un disque, le ranger dans son étui. Ne pas laisser le disque dans un endroit chaud ou humide.

Soins des cassettes

- Après l'utilisation, ranger les cassettes dans leurs boîtes.
- Ne pas laisser les cassettes près d'un aimant, d'un moteur électrique, d'un téléviseur ou de toute autre source de champ magnétique. Cela diminuerait la qualité sonore et provoquerait du souffle.
- Ne pas exposer les cassettes au soleil ni les laisser dans un véhicule garé au soleil.

EN CAS DE PROBLEME

Si l'appareil ne fonctionne pas comme décrit dans ce mode d'emploi, contrôler le guide suivant.

GENERALITES**Il n'y a pas de son.**

- Le cordon secteur est-il branché correctement?
- N'y a-t-il pas une mauvaise connexion? (→ page 4)
- Il y a peut-être un court-circuit dans les bornes d'enceinte.
 - Débrancher le cordon secteur puis corriger les connexions d'enceinte.
- Une touche de fonction incorrecte n'est-elle pas en service?

Le son ne sort que par une seule enceinte.

- L'autre enceinte n'est-elle pas déconnectée?

Le son sorti n'est pas stéréo.

- La fonction Karaoke n'est-elle pas en service? (→ page 25)

Un affichage ou un fonctionnement erroné se produit.

→ Réinitialiser l'appareil comme indiqué ci-dessous.

L'appareil s'éteint quand l'alimentation est coupée.

- Le mode économie d'énergie n'est-il pas réglé sur "ECO ON" ou "ECO AUTO"? (→ page 7)

L'appareil n'est pas sous tension.

→ Débrancher le cordon secteur puis le rebrancher quelques secondes après.

PARTIE TUNER**Il y a des charges statiques constantes en forme d'onde.**

- L'antenne est-elle connectée correctement? (→ page 5)
- Le signal n'est-il pas faible?
 - Connecter une antenne extérieure.

La réception présente des parasites ou le son présente de la distorsion.

- Le système ne capte-t-il pas des bruits extérieurs ou des ondes réfléchies?
 - Changer l'orientation de l'antenne.
 - Eloigner l'appareil d'autres appareils électriques.

PARTIE MAGNETOCASSETTE**La bande ne défile pas.**

- La platine 2 n'est-elle pas en mode pause? (→ page 13)

Le son est déséquilibré ou trop faible.

- La tête de lecture n'est-elle pas sale? (→ voir ci-dessus)

L'enregistrement est impossible.

- Un ergot de sécurité de la cassette n'est-il pas absent? (→ page 14)
- La tête d'enregistrement n'est-elle pas sale? (→ voir ci-dessus)

L'effacement est impossible.

- La tête d'effacement n'est-elle pas sale? (→ voir ci-dessus)
- Une cassette au métal n'est-elle pas utilisée?

Il n'y a pas de sons aigus.

- La tête d'enregistrement/de lecture n'est-elle pas sale? (→ voir ci-dessus)

PARTIE LECTEUR DE DISQUES COMPACTS**La lecture ne fonctionne pas.**

- Le disque est-il correctement mis en place? (→ page 15)
- Le disque n'est-il pas sale? (→ voir ci-dessus)
- N'y a-t-il pas de la condensation sur la lentille?
 - Attendre environ une heure puis essayer de nouveau.

Pour réinitialiser

Si une anomalie apparaît sur la fenêtre d'affichage ou dans le magnétocassette, réinitialiser l'appareil de la manière suivante.

- 1 Appuyer sur **POWER** pour couper l'alimentation.
- 2 Tout en appuyant sur **CLEAR**, appuyer sur **POWER** pour remettre l'appareil sous tension. Toutes les données mémorisées après l'achat sont effacées.

Si à l'étape 1 l'alimentation ne peut pas être coupée du fait d'une anomalie, réinitialiser en débranchant le cordon secteur, puis le rebrancher. Ensuite, effectuer l'étape 2.

SPECIFICATIONS

Appareil principal CX-NDS8

Partie tuner FM

Plage d'accord	87,5 MHz à 108 MHz
Sensibilité utile (IHF)	13,2 dBf
Bornes d'antenne	75 ohms (asymétrique)

Partie tuner AM

Plage d'accord	530 kHz à 1710 kHz (par pas de 10 kHz) 531 kHz à 1602 kHz (par pas de 9 kHz)
Sensibilité utile	350 µV/m
Antenne	Antenne cadre

Partie amplificateur

Amplificateur des moyennes à hautes fréquences

Puissance de sortie	Avant 30 W + 30 W (200 Hz – 20 kHz, D.H.T. inférieure à 1%, 8 ohms)
Distorsion harmonique totale	0,1% (25 W, 1 kHz, 8 ohms, DIN AUDIO)

Amplificateur des basses fréquences

Puissance de sortie	90 W + 90 W (50 Hz – 200 Hz, D.H.T. inférieure à 1%, 6 ohms)
Distorsion harmonique totale	0,1% (75 W, 120 Hz, 6 ohms, DIN AUDIO)

Entrées

Arrière (Surround)	33 W + 33 W (1 kHz, D.H.T. inférieure à 1%, 8 ohms)
Centre	34 W (1 kHz, D.H.T. inférieure à 1%, 8 ohms)
VIDEO1/DVD/AUX:	316 mV (réglable)
VIDEO2/LD/MD:	316 mV (réglable)
MIC 1, MIC 2:	1 mV (10 kohms)
DIGITAL IN	

Sorties

COAXIAL (VIDEO 2)	
OPTICAL (VIDEO 1)	
	acceptent les signaux en modulation par impulsions codées (PCM) linéaire (32 kHz, 44,1 kHz et 48 kHz) et les signaux de train numérique Dolby Digital.
SPEAKERS LOW FREQ:	acceptent des enceintes de 6 ohms ou plus.
SPEAKERS HIGH FREQ:	acceptent des enceintes de 8 ohms ou plus.
SURROUND SPEAKERS:	acceptent des enceintes de 8 à 16 ohms
CENTER SPEAKER:	accepte une enceinte de 8 ohms ou plus
SUBWOOFER:	5 V
LINE OUT:	210 mV
PHONES (prise stéréo):	accepte un casque de 32 ohms ou plus

Partie magnétocassette

Format de piste	4 pistes, 2 canaux stéréo
Réponse en fréquence	Bande CrO ₂ : 50 Hz – 16000 Hz Bande normale: 50 Hz – 15000 Hz
Système d'enregistrement	Polarisation CA
Têtes	1 tête de lecture (platine 1) 1 tête d'enregistrement/de lecture, 1 tête d'effacement (platine 2)

Partie lecteur de disques compacts

Laser	Laser à semi-conducteurs ($\lambda = 780$ nm)
Convertisseur N/A	1 bit, double
Rapport signal/bruit	85 dB (1 kHz, 0 dB)
Distorsion harmonique	0,05% (1 kHz, 0 dB)
Pleurage et scintillement	Non mesurable

Généralités

Alimentation électrique	Secteur 120 V, 60 Hz
Puissance absorbée	225 W
Puissance absorbée en attente	Si le mode économie d'énergie est réglé sur ECO OFF: 42 W Si le mode économie d'énergie est réglé sur ECO ON ou ECO AUTO: 0,9 W

Dimensions (L x H x P)

Poids	260 x 329 x 389,6 mm
-------	----------------------

Enceintes acoustiques SX-WNAJ86

Type de caisson	3 voies, haut-parleur infragrave intégré (type à blindage antimagnétique)
Haut-parleurs	Infragrave: cône de 200 mm Large bande: cône de 120 mm Super-tweeter: céramique 20 mm
Impédance	6 ohms / 8 ohms
Niveau de pression acoustique de sortie	87 dB/W/m
Dimensions (L x H x P)	240 x 324 x 285 mm
Poids	6,0 g

Les spécifications et l'aspect extérieur peuvent être modifiés sans préavis.

DOLBY DIGITAL/DOLBY PRO LOGIC

Fabriqué sous licence de Dolby Laboratories. "Dolby", "Pro Logic" et le symbole du double D sont des marques de fabrique de Dolby Laboratories. Travaux confidentiels et non publiés. ©1992-1997 Dolby Laboratories, Inc. Tous droits réservés.

BBE SYSTEM

L'expression "BBE" et le symbole "BBE" sont des marques déposées de BBE Sound, Inc. Sous licence de BBE Sound, Inc.

DROITS D'AUTEUR

Prière de vérifier les lois sur la propriété artistique relatives à l'enregistrement de disques, de la radio ou de cassettes dans le pays d'utilisation de l'appareil.